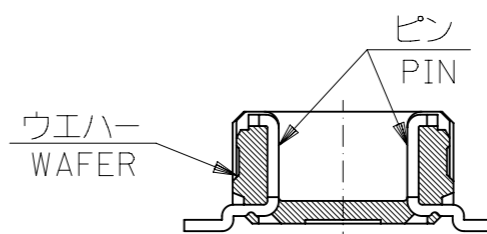
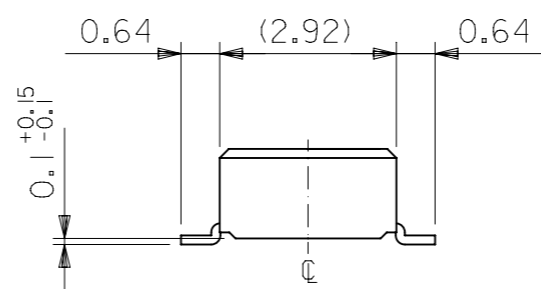
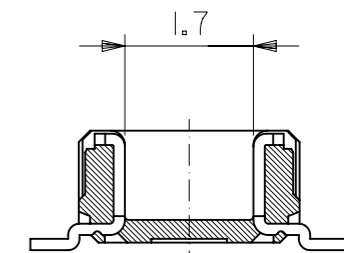


参考基板レイアウト (マウント面)  
P.C.BOARD PATTERN DIMENSION (REF.)  
(MOUNTING AREA)



SECT.W-W (LOCK PART)

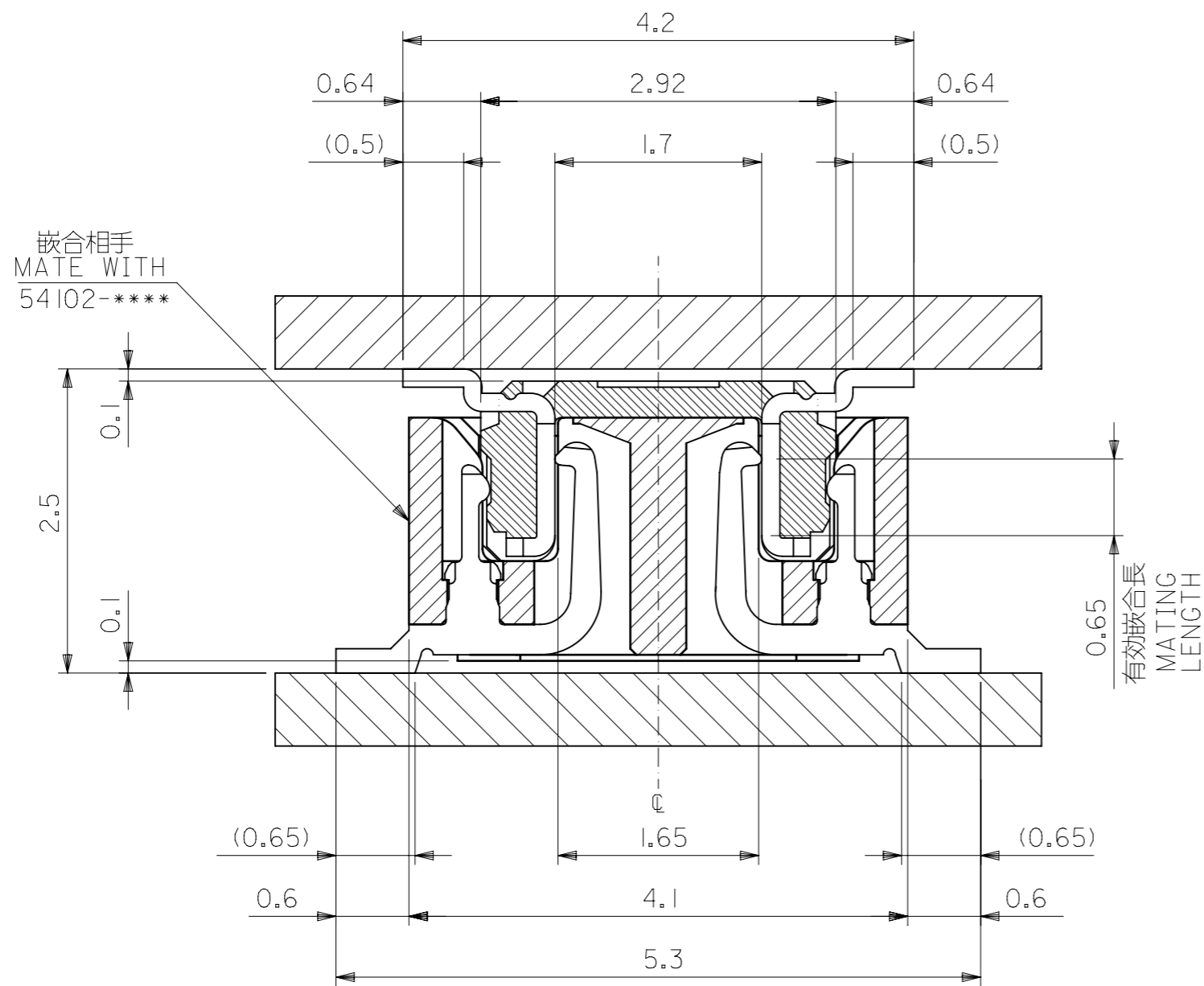


SECT.V-V (W/O LOCK PART)

NONE	20.55	19.5	21.45	500334-0800	80
ALL	4.55	3.5	5.45	500334-0160	16
LOCK POSITION	C	B	A	EMBOSSED TAPE PACKAGE	CIRCUIT
				ORDER No.	

GENERAL TOLERANCES (UNLESS SPECIFIED)	
10 UNDER	± 0.2
10 OVER 30 UNDER	± 0.25
30 OVER	± 0.3
ANGULAR	± 3°
DRAFT WHERE APPLICABLE MUST REMAIN WITHIN DIMENSIONS	

THIS DRAWING CONTAINS INFORMATION THAT IS PROPRIETARY TO MOLEX ELECTRONIC TECHNOLOGIES, LLC AND SHOULD NOT BE USED WITHOUT WRITTEN PERMISSION					
DIMENSION UNITS: mm INCH SCALE: NTS GENERAL TOLERANCES (UNLESS SPECIFIED): 4 PLACES ± 0.2 ± 3 PLACES ± 0.25 ± 2 PLACES ± 0.3 ± 1 PLACE ± 0 PLACES ± ANGULAR TOL ± 3.0 DRAFT WHERE APPLICABLE MUST REMAIN WITHIN DIMENSIONS		CURRENT REV DESC: EC NO: 624787 DRWN: VLOKESHA 2019/05/22 CHK'D: GGA 2019/11/11 APPR: GGA 2019/11/11 INITIAL REVISION: DRWN: GMATSUNO 2012/08/10 APPR:		<b>molex</b> 0.5 B-TO-B CONN PLUG (HGT=2.5) (SHEET 1 OF 2) PRODUCT CUSTOMER DRAWING DOCUMENT NUMBER: SD-500334-001 DOC TYPE: PSD DOC PART: 001 REVISION: B1 MATERIAL NUMBER: SEE CHART CUSTOMER: GENERAL MARKET SHEET NUMBER: 1 OF 2	
THIRD ANGLE PROJECTION	DRAWING: A3-SIZE	SERIES: 500334	MATERIAL NUMBER: SEE CHART	CUSTOMER: GENERAL MARKET	SHEET NUMBER: 1 OF 2



嵌合相手  
MATE WITH  
54102-\*\*\*\*

有効嵌合長  
MATING  
LENGTH  
0.65

嵌合断面図 (参考)  
MATED DRAWING (REF.)

注記 NOTES:

1. 使用材料 MATERIAL  
ハウジング: 液晶ポリマー (LCP), ガラス充填, UL 94V-0, 色: 黒  
HOUSING: LIQUID CRYSTAL POLYMER(LCP), GLASS FILLED  
UL94V-0, COLOR: BLACK  
ターミナル: 黄銅 (t=0.15)  
TERMINAL: BRASS (t=0.15)
2. メッキ仕様 PLATING  
金メッキ 0.25マイクロメートル以上 (コンタクト部)  
GOLD(Au) 0.25 MICROMETER MINIMUM (CONTACT AREA)  
**金メッキ (テール部)**  
**GOLD PLATING (SOLDER TAIL AREA)**  
下地メッキ: ニッケルメッキ 1.5マイクロメートル以上  
UNDER PLATING: NICKEL 1.5 MICROMETER MINIMUM
3. (全極数/2) = 偶数の場合に適用。  
APPLY FOR (CIRCUIT/2)=EVEN.
4. 嵌合相手: 54102シリーズ  
MATE WITH: 54102 SERIES.
5. テール平坦度は 0.1以下。  
TAIL COPLANARITY TO BE 0.1 MAXIMUM.

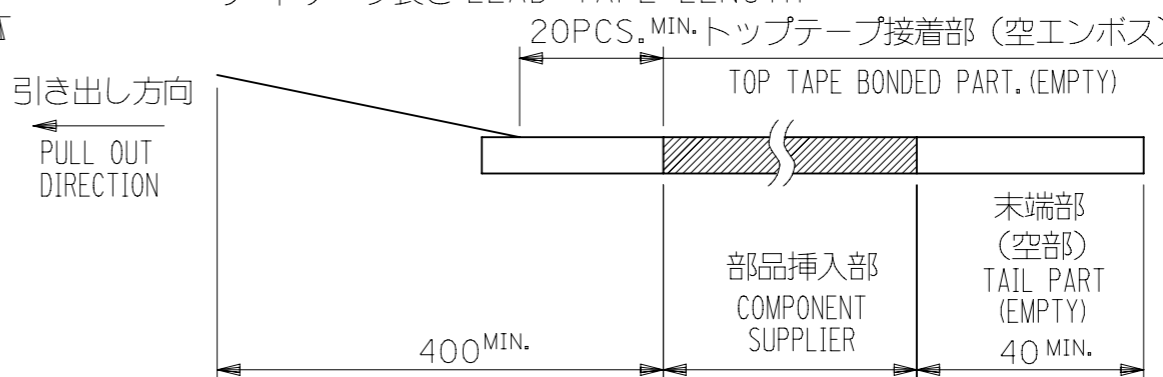
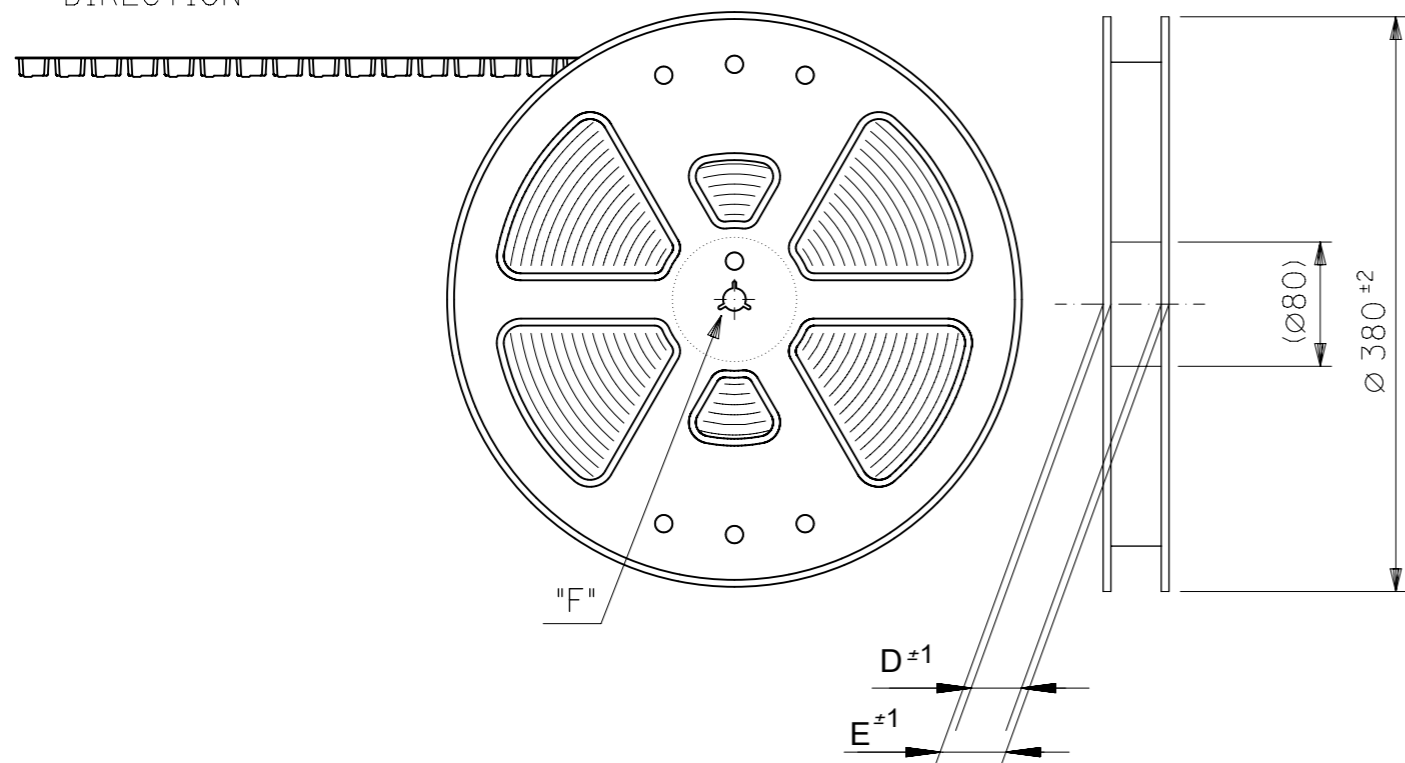
CONNECTOR SERIES No. 500334-\*\*\*\*8

THIS DRAWING CONTAINS INFORMATION THAT IS PROPRIETARY TO MOLEX ELECTRONIC TECHNOLOGIES, LLC AND SHOULD NOT BE USED WITHOUT WRITTEN PERMISSION		CURRENT REV DESC:		<b>molex</b>	
DIMENSION UNITS	SCALE	EC NO: 624787			
mm	NTS	DRWN: VLOKESHA 2019/05/22		0.5 B-TO-B CONN PLUG (HGT=2.5) (SHEET 1 OF 2)	
GENERAL TOLERANCES (UNLESS SPECIFIED)		CHK'D: GGA 2019/11/11		PRODUCT CUSTOMER DRAWING	
4 PLACES ± 0.2		APPR: GGA 2019/11/11		DOCUMENT NUMBER	
3 PLACES ± 0.25		INITIAL REVISION:		SD-500334-001	
2 PLACES ± 0.3		DRWN: GMATSUNO 2012/08/10		DOC TYPE	
1 PLACE ±		APPR:		PSD	
0 PLACES ±		ANGULAR TOL ± 3.0°		DOC PART	
DRAFT WHERE APPLICABLE MUST REMAIN WITHIN DIMENSIONS		THIRD ANGLE PROJECTION		REVISION	
		DRAWING		001	
		SERIES		B1	
		MATERIAL NUMBER		SHEET NUMBER	
		A3-SIZE		2 OF 2	
		500334		CUSTOMER	
		SEE CHART		GENERAL MARKET	

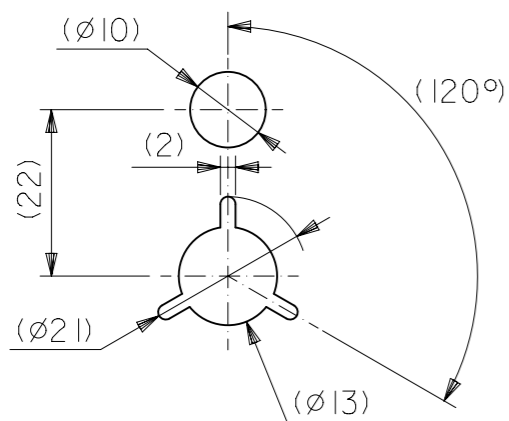
NOTES

- 製品詳細寸法については図面 SD-500334-001 を参照下さい。  
RE DETAILED DIMENSION, SEE SD-500334-001
- 梱包数量：3000個/リール  
NUMBER OF CONNECTORS : 3000PCS/REEL
- リードテープ長さ LEAD TAPE LENGTH

引き出し方向  
PULL OUT  
DIRECTION



- カバーテープの剥離強度については、IEC60286-3に準拠  
COVER TAPE PEEL FORCE IS DEFINED BY IEC60286-3.
- 材料 MATERIAL  
キャリアテープ：ポリプロピレン (PP)  
CARRIER TAPE : POLYPROPYLENE ( PP )  
トップテープ：ポリエステル(PET),ポリエチレン(PE),ポリエチレンフォーム(PEF)  
TOP TAPE : POLYESTER ( PET )、POLYETHYLENE ( PE )、POLYETHYLENEFOAM ( PEF )  
リール：ポリスチレン (PS) <リサイクル材を含む>  
REEL : POLYSTYRENE ( PS ) <RECYCLE MATERIAL CONTAINED>



DETAIL "F"

GENERAL TOLERANCES (UNLESS SPECIFIED)	
10 UNDER	± 0.2
10 OVER 30 UNDER	± 0.25
30 OVER	± 0.3
ANGULAR	± 3 °
DRAFT WHERE APPLICABLE MUST REMAIN WITHIN DIMENSIONS	

THIS DRAWING CONTAINS INFORMATION THAT IS PROPRIETARY TO MOLEX ELECTRONIC TECHNOLOGIES, LLC AND SHOULD NOT BE USED WITHOUT WRITTEN PERMISSION		SCALE		CURRENT REV DESC:	
DIMENSION UNITS		SCALE		CURRENT REV DESC:	
mm		NTS		CURRENT REV DESC:	
GENERAL TOLERANCES (UNLESS SPECIFIED)		GENERAL TOLERANCES (UNLESS SPECIFIED)		CURRENT REV DESC:	
4 PLACES ± 0.2		MM INCH		CURRENT REV DESC:	
3 PLACES ± 0.25		CURRENT REV DESC:		CURRENT REV DESC:	
2 PLACES ± 0.3		CURRENT REV DESC:		CURRENT REV DESC:	
1 PLACE ±		CURRENT REV DESC:		CURRENT REV DESC:	
0 PLACES ±		CURRENT REV DESC:		CURRENT REV DESC:	
ANGULAR TOL ± 3.0 °		CURRENT REV DESC:		CURRENT REV DESC:	
DRAFT WHERE APPLICABLE MUST REMAIN WITHIN DIMENSIONS		THIRD ANGLE PROJECTION		DRAWING	
DRAFT WHERE APPLICABLE MUST REMAIN WITHIN DIMENSIONS		THIRD ANGLE PROJECTION		DRAWING	

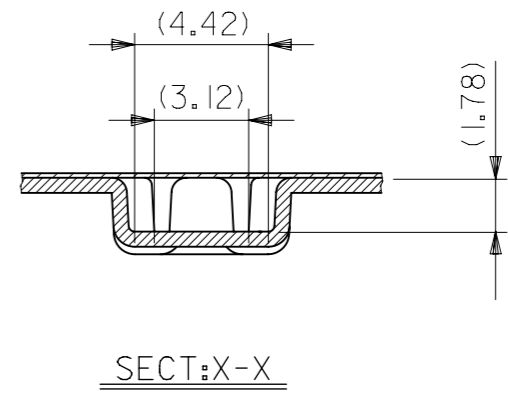
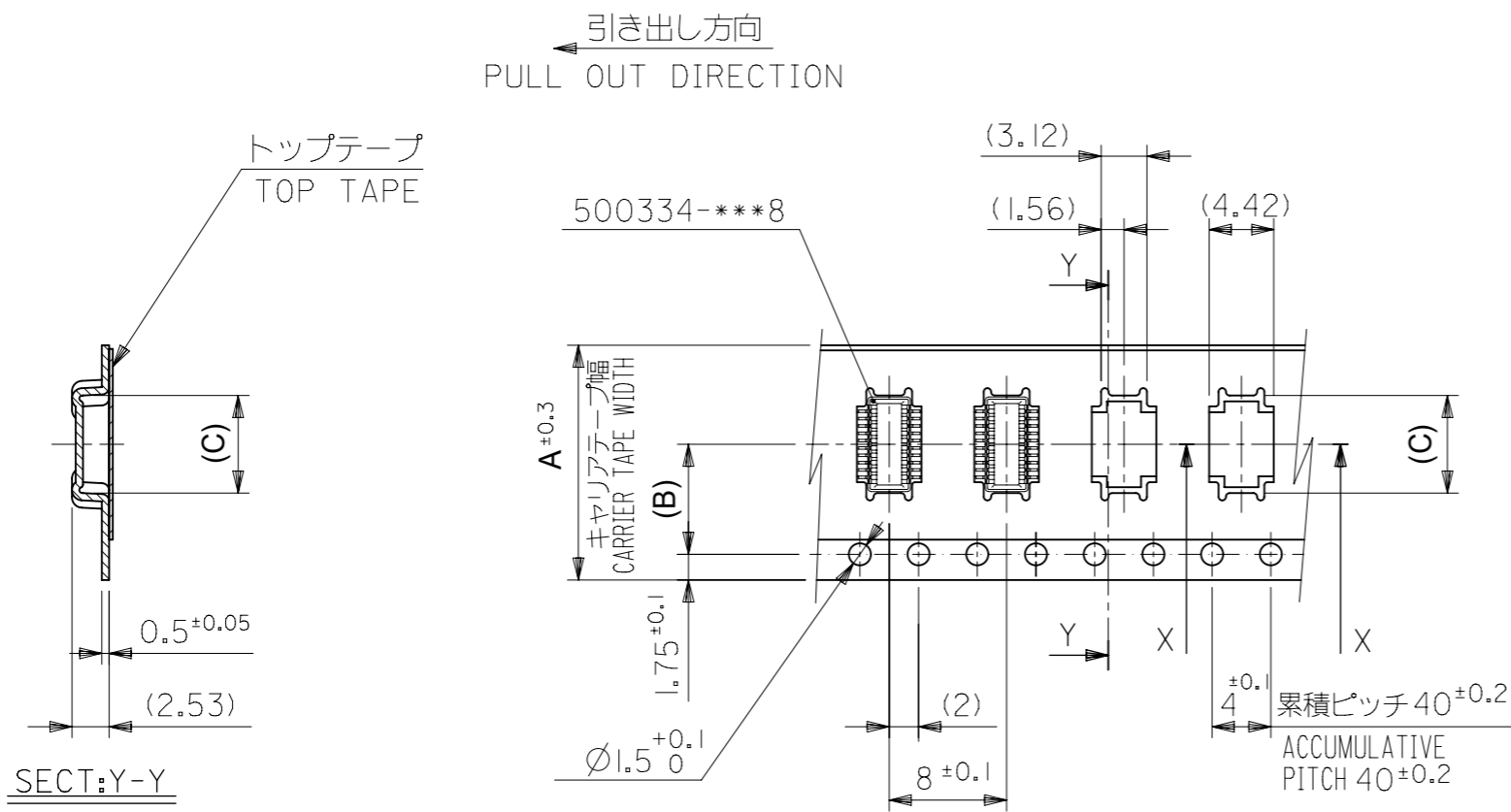
**molex**

EMBSTP PKG FOR 0.5 B/B  
PLUG ASSY (HGT=2.5) -LEAD FREE-

PRODUCT CUSTOMER DRAWING

DOCUMENT NUMBER	DOC TYPE	DOC PART	REVISION
SD-500334-002	PSD	001	C1

MATERIAL NUMBER	CUSTOMER	SHEET NUMBER
SEE CHART	GENERAL MARKET	1 OF 3



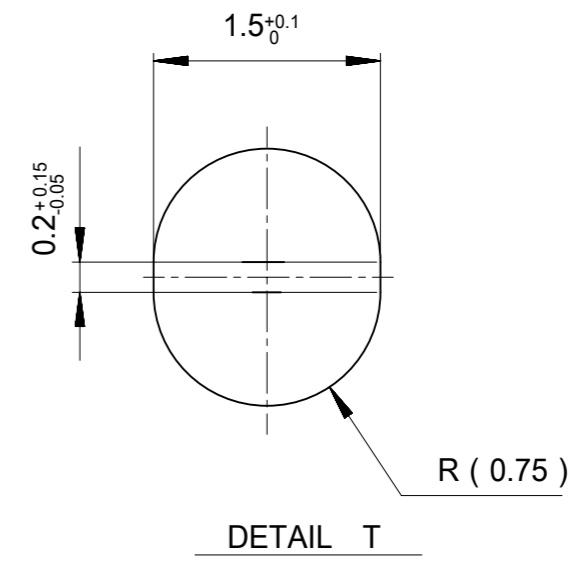
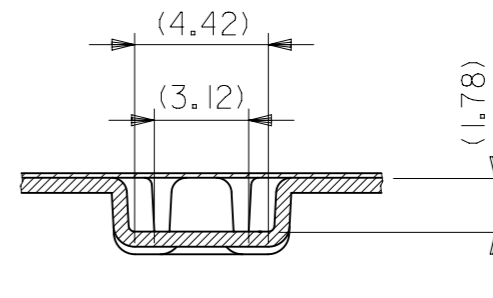
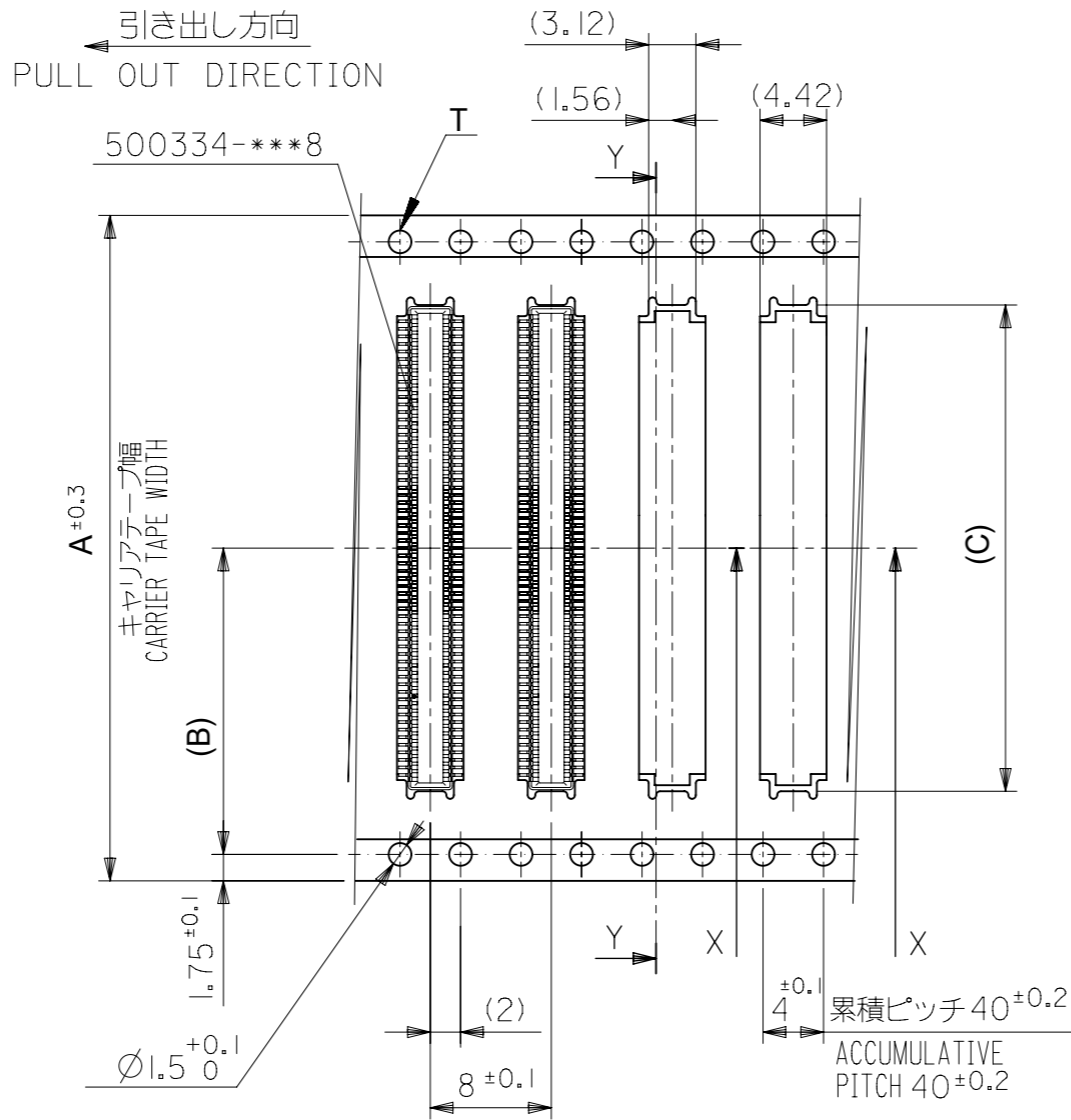
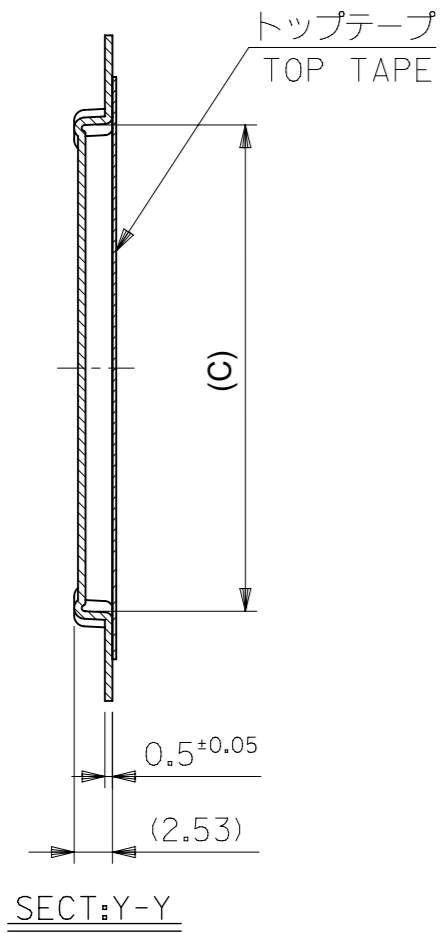
16mm幅キャリアテープ  
16mm WIDTH CARRIER TAPE

21.4	17.4	5.65	7.5	16	500334-0160	16
E	D	(C)	(B)	A	EMBOSSED TAPE PACKAGE ORDER No.	極数 CKT.
CONNECTOR SERIES No. 500334-***0						

GENERAL TOLERANCES (UNLESS SPECIFIED)	
10 UNDER	± 0.2
10 OVER 30 UNDER	± 0.25
30 OVER	± 0.3
ANGULAR	± 3°
DRAFT WHERE APPLICABLE MUST REMAIN WITHIN DIMENSIONS	

THIS DRAWING CONTAINS INFORMATION THAT IS PROPRIETARY TO MOLEX ELECTRONIC TECHNOLOGIES, LLC AND SHOULD NOT BE USED WITHOUT WRITTEN PERMISSION	
DIMENSION UNITS	SCALE
mm	NTS
GENERAL TOLERANCES (UNLESS SPECIFIED)	
4 PLACES	± 0.2
3 PLACES	± 0.25
2 PLACES	± 0.3
1 PLACE	±
0 PLACES	±
ANGULAR TOL	± 3.0°
DRAFT WHERE APPLICABLE MUST REMAIN WITHIN DIMENSIONS	

CURRENT REV DESC:			
<b>molex</b>			
EMBSTP PKG FOR 0.5 B/B PLUG ASSY (HGT=2.5) -LEAD FREE-			
PRODUCT CUSTOMER DRAWING			
DOCUMENT NUMBER	DOC TYPE	DOC PART	REVISION
SD-500334-002	PSD	001	C1
MATERIAL NUMBER	CUSTOMER	SHEET NUMBER	
SEE CHART	GENERAL MARKET	2 OF 3	



44mm幅キャリアテープ  
44mm WIDTH CARRIER TAPE

49.4	45.4	21.65	20.2	44	500334-0800	80
E	D	(C)	(B)	A	EMBOSSED TAPE PACKAGE	極数 CKT.
					ORDER No.	500334-***0
CONNECTOR SERIES No. 500334-***0						

GENERAL TOLERANCES (UNLESS SPECIFIED)		± 0.2
10 UNDER		
10 OVER	30 UNDER	± 0.25
30 OVER		± 0.3
ANGULAR		± 3°
DRAFT WHERE APPLICABLE MUST REMAIN WITHIN DIMENSIONS		

THIS DRAWING CONTAINS INFORMATION THAT IS PROPRIETARY TO MOLEX ELECTRONIC TECHNOLOGIES, LLC AND SHOULD NOT BE USED WITHOUT WRITTEN PERMISSION		SCALE		CURRENT REV DESC:		<b>molex</b>	
DIMENSION UNITS		SCALE		CURRENT REV DESC:			
mm		NTS		EC NO: 624787		EMBSTP PKG FOR 0.5 B/B PLUG ASSY (HGT=2.5) -LEAD FREE-	
GENERAL TOLERANCES (UNLESS SPECIFIED)		MM		DRWN: VLOKESHA		2019/05/22	
4 PLACES ± 0.2		INCH		CHK'D: GGA		2019/11/11	
3 PLACES ± 0.25				APPR: GGA		2019/11/11	
2 PLACES ± 0.3				INITIAL REVISION:		PRODUCT CUSTOMER DRAWING	
1 PLACE ±				DRWN: N.YOSHIKAWA		DOCUMENT NUMBER	
0 PLACES ±				APPR: N.UKITA		SD-500334-002	
ANGULAR TOL ± 3.0°				2009/03/19		DOC TYPE	
DRAFT WHERE APPLICABLE MUST REMAIN WITHIN DIMENSIONS		THIRD ANGLE PROJECTION		DRAWING		DOC PART	
		A3-SIZE		SERIES		REVISION	
		500334		MATERIAL NUMBER		C1	
		SEE CHART		CUSTOMER		SHEET NUMBER	
		GENERAL MARKET				3 OF 3	