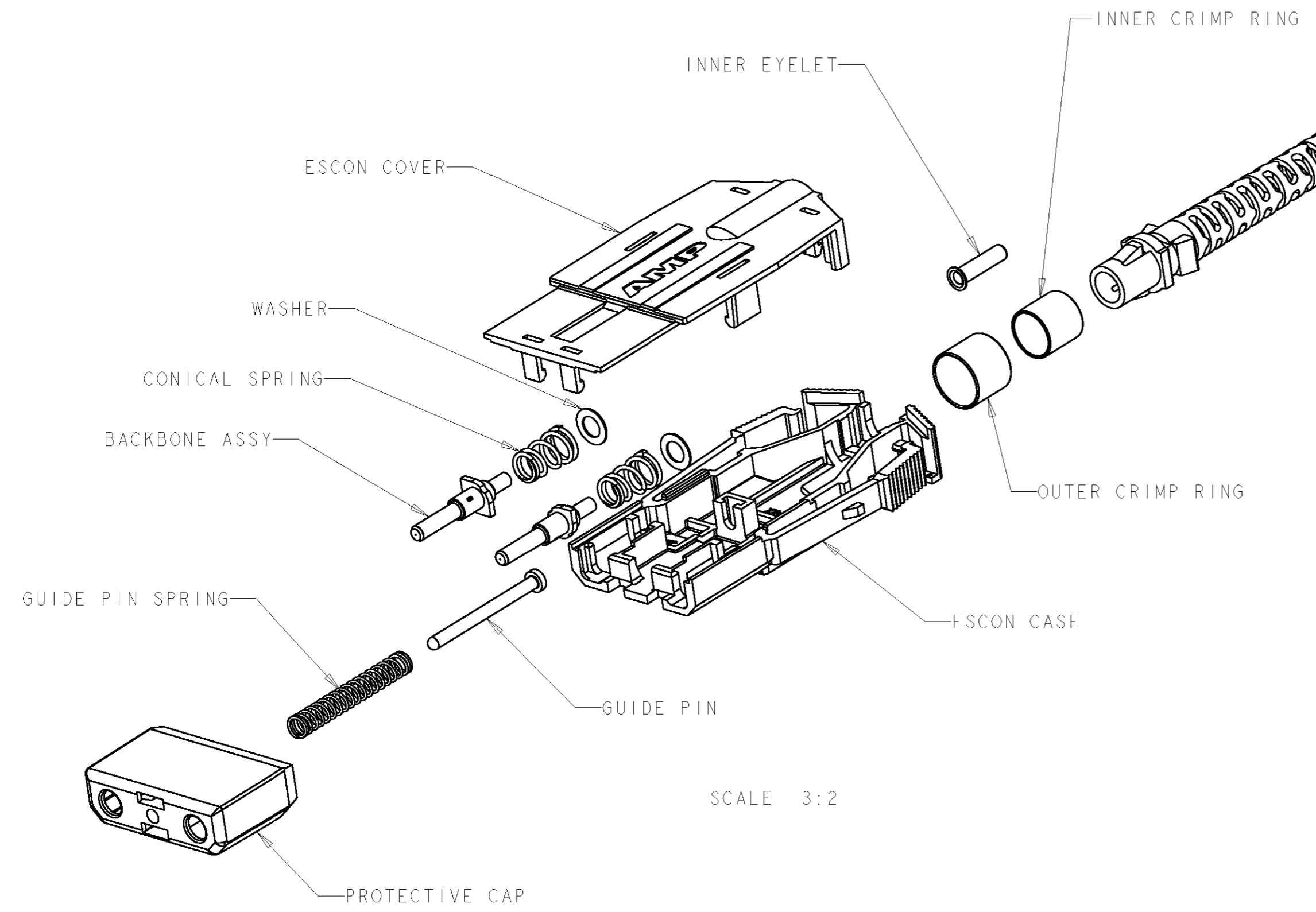


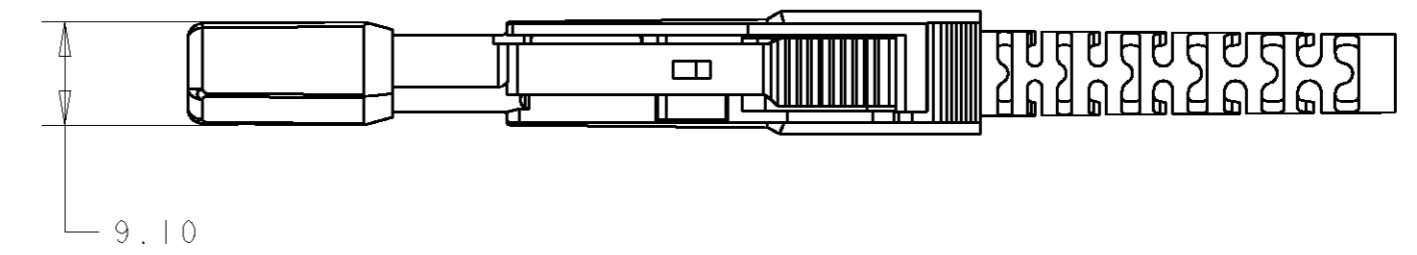
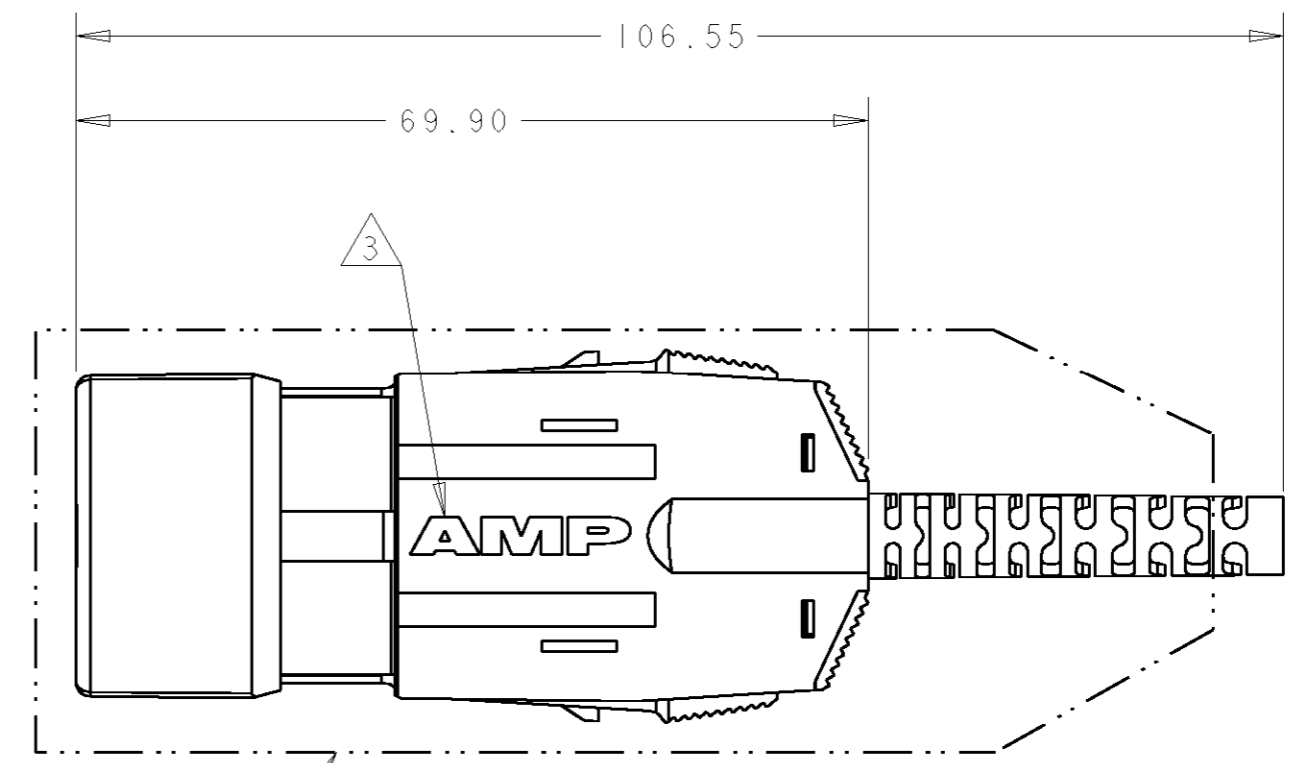
THIS DRAWING IS UNPUBLISHED. RELEASED FOR PUBLICATION .19
 © COPYRIGHT 19 BY AMP INCORPORATED. ALL RIGHTS RESERVED.

LOC	DIST	REVISIONS			
P	LTR	DESCRIPTION	DATE	DWN	APVD
CE	16				
	B	REVISED PER 0A00-1013-00	13NOV2000	TA	SB

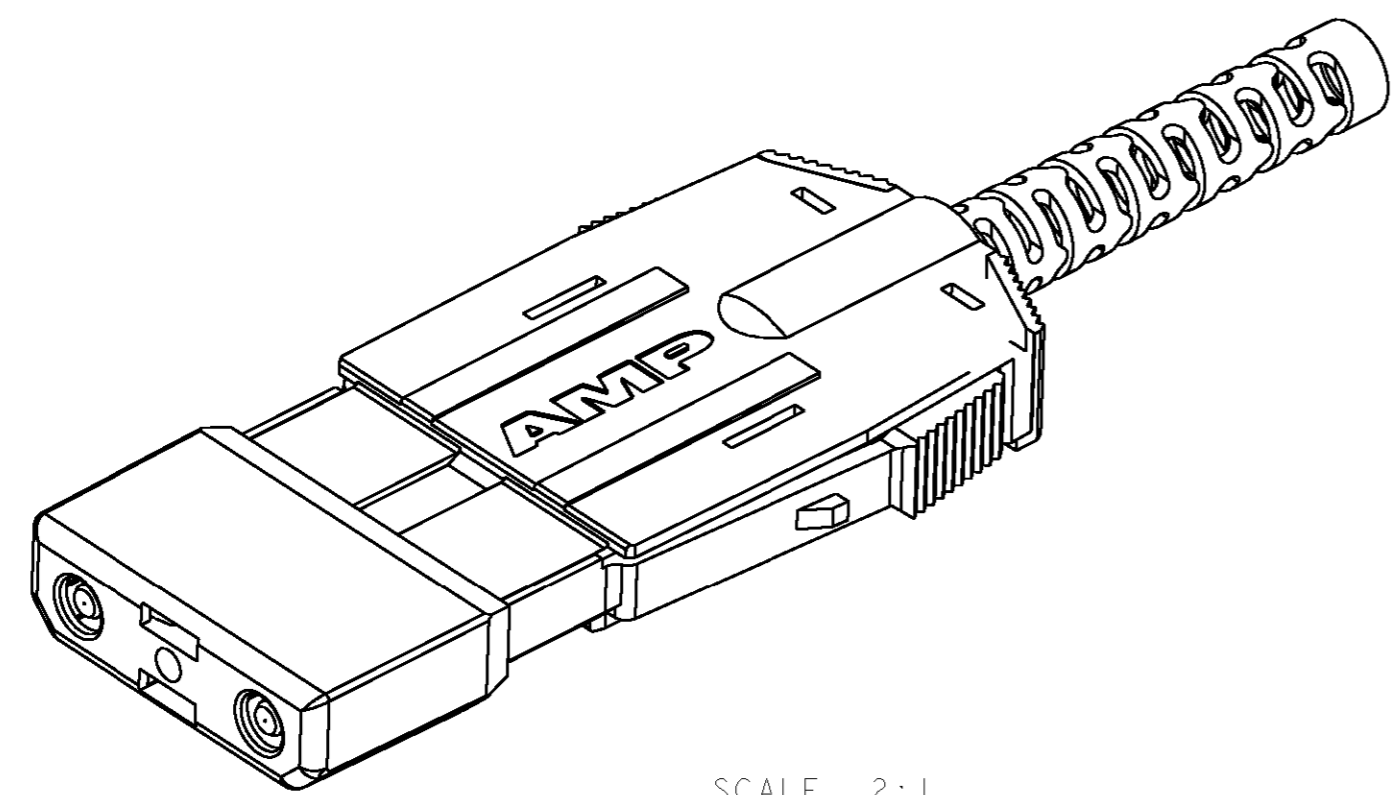


SCALE 3:2

- 1 BULK PACKAGED, 50 PER PACKAGE.
- 2 CLAM SHELL DUST COVER SUPPLIED WITH KIT.
- 3 NO AMP LOGO.



SCALE 3:2



SCALE 2:1

1	3	492181-3
	1	492181-2
		492181-1
		PART NUMBER

<small>THIS DRAWING IS A CONTROLLED DOCUMENT FOR AMP INCORPORATED. IT IS SUBJECT TO CHANGE AND THE CONTROLLING ENGINEERING ORGANIZATION SHOULD BE CONTACTED FOR THE LATEST REVISION.</small>		DWN R. HILEMAN 20-Nov-96 CHK L. BARKUS 10-20-96 APVD K. MONROE 10-20-96	AMP AMP Incorporated Harrisburg, PA 17105-3608
DIMENSIONS: mm 		PRODUCT SPEC - APPLICATION SPEC - WEIGHT -	NAME AMP ESCON CONNECTOR KIT, DUALAN SIZE A2 CAGE CODE 00779 DRAWING NO. C-492181 RESTRICTED TO -
TOLERANCES UNLESS OTHERWISE SPECIFIED: 0 PLC ± 1 PLC ±0.5 2 PLC ±0.13 3 PLC ±0.013 4 PLC ±0.0001 ANGLES ± FINISH -		CUSTOMER DRAWING	SCALE 2:1 SHEET 1 OF 1 REV B