



Connecting piece M20/M20 for connection of 2 enclosures, plastic, with hexagon nut

product brand name	SIRIUS ACT
product designation	Connection piece
design of the product	M20/M20 for connecting 2 enclosures
product type designation	3SU1

General technical data

protection class IP	IP66, IP67, IP69(IP69K)
---------------------	-------------------------

Installation/ mounting/ dimensions

mounting height	3.3 mm
-----------------	--------

Accessories

material of accessory	Plastic
color of accessory	black

Certificates/ approvals

General Product Approval	Declaration of Conformity
--------------------------	---------------------------



[Miscellaneous](#)



Declaration of Conformity	Test Certificates	Marine / Shipping
---------------------------	-------------------	-------------------

[Miscellaneous](#)

[Type Test Certificates/Test Report](#)



Marine / Shipping	other
-------------------	-------



[Confirmation](#)

Further information

Information- and Downloadcenter (Catalogs, Brochures,...)

<https://www.siemens.com/ic10>

Industry Mall (Online ordering system)

<https://mall.industry.siemens.com/mall/en/en/Catalog/product?mfb=3SU1900-0HJ10-0AA0>

Cax online generator

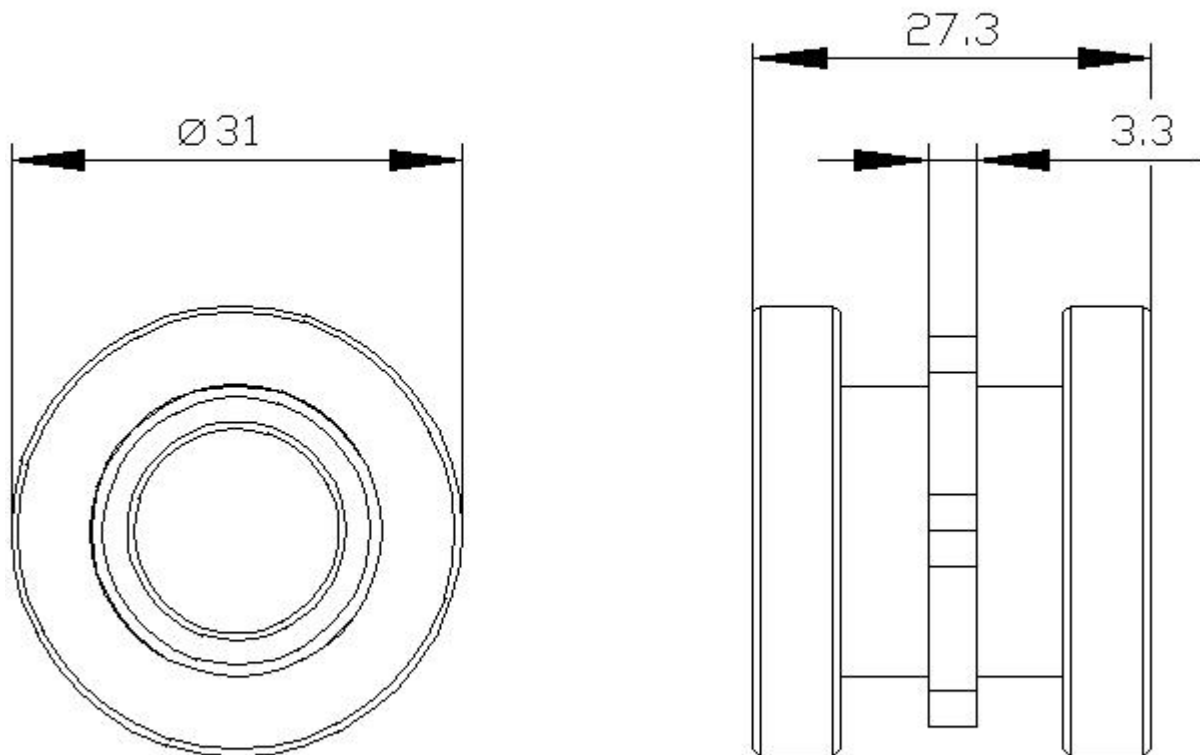
<http://support.automation.siemens.com/WW/CAXorder/default.aspx?lang=en&mfb=3SU1900-0HJ10-0AA0>

Service&Support (Manuals, Certificates, Characteristics, FAQs,...)

<https://support.industry.siemens.com/cs/ww/en/ps/3SU1900-0HJ10-0AA0>

Image database (product images, 2D dimension drawings, 3D models, device circuit diagrams, EPLAN macros, ...)

http://www.automation.siemens.com/bilddb/cax_de.aspx?mfb=3SU1900-0HJ10-0AA0&lang=en



last modified:

5/28/2020 