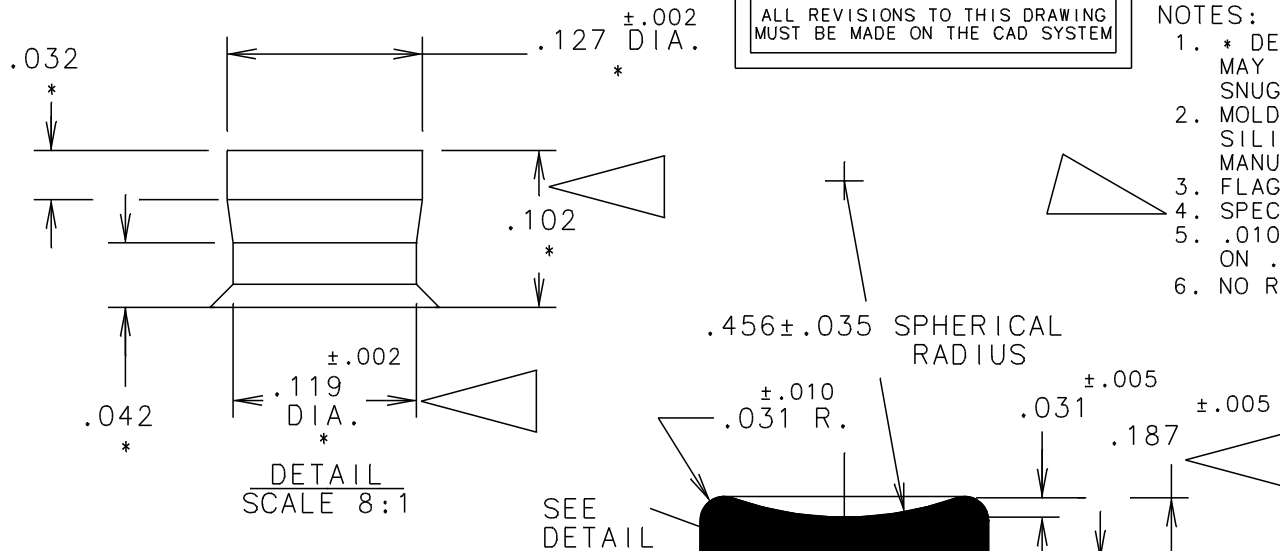


ALL REVISIONS TO THIS DRAWING
MUST BE MADE ON THE CAD SYSTEM

NOTES:

- * DENOTES THAT DIMENSIONAL TOLERANCE MAY BE EXCEEDED IN ORDER TO PROVIDE A SNUG FIT OVER BELOW DETAILED GAGE PIN.
- MOLD RELEASE AGENTS CONTAINING SILICONES SHALL NOT BE USED IN THE MANUFACTURING OF THIS PART.
- FLAGS FOR GRAYHILL USE ONLY.
- SPECIAL INSPECTION REQUIRED.
- .010 MAX. VERTICAL FLASH ALLOWABLE ON .212 DIA.
- NO REGRIND ALLOWED.



CAV. IDENT. & GATE
LOCATED ON THIS
SURFACE

AC	CMJ/CMJ 10/29/08	ON -6, MAT. WAS SZ575-11 COLOR WAS JADE GRAY, REMOVED ALTERNATE MAT. ADDED NOTE 6. ECN373485 GAD 10/29/08
AB	DWP/CWS 2-12-02	UPDATED FORMAT, REMOVED REV. Z ECN#340818 CWS 2-11-02
A	WDK 4-19-62	ORIGINAL TH 4-19-62
ISSUE	APP/DATE	DESCRIPTION

REVISIONS

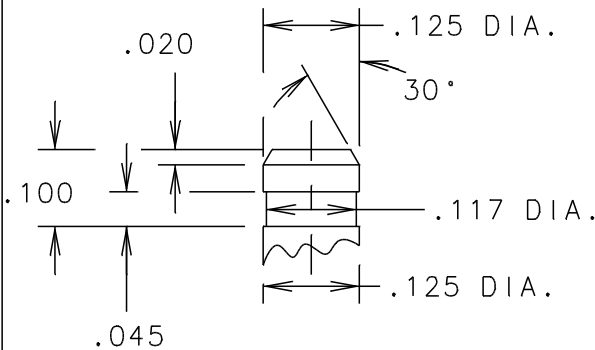


GRAYHILL, INC.
561 HILLGROVE AVE.
LA GRANGE, IL 60525
PHONE (708) 354-1040

UNLESS OTHERWISE SPECIFIED TOLERANCES
AND DIMENSIONS ARE IN INCHES
LINEAR ±.002 DIAMETERS ± .003
ANGULAR ±1/2°
LIMITS APPLY BEFORE FINISHING
DO NOT SCALE THIS PRINT

CRITICAL CHARACTERISTIC FLAGS
PER GRAYHILL SPEC. SOP2338

- CRITICAL CHARACTERISTIC FLAG
- Cpk REQUIRED
- S.P.C. FLAG (CONTROL CHART REQ'D ON FEATURE SPECIFIED)



GAGE PIN
SCALE 4:1

46Z1011-8	AMBER	SZ575-13	SZ577-13
46Z1011-7	OLIVE DRAB	SZ575-12	SZ577-12
46Z1011-6	CASTING GRAY	SZ575-15	---
46Z1011-5	WHITE	SZ575-4	SZ577-4
46Z1011-4	GRAY	SZ575-10	SZ577-10
46Z1011-3	NATURAL	SZ575-0	SZ577-0
46Z1011-2	BLACK	SZ575-1	SZ577-1
46Z1011-1	RED	SZ575-2	SZ577-2
PART NO.	COLOR	PREFERRED	ALTERNATE
		MATERIAL	

FINISH	APPROVED DATE WDK 4-19-62
MATERIAL SEE CHART	CHECKED DATE WDK 4-19-62
NAME BUTTON CAP	DRAWN DATE TH 4-19-62

CADAM DRAWING:
46Z1011-X AC 001

A SIZE	DWG. NO. 46Z1011-X	ISSUE AC
SCALE 5:1	SHEET 1	OF 1