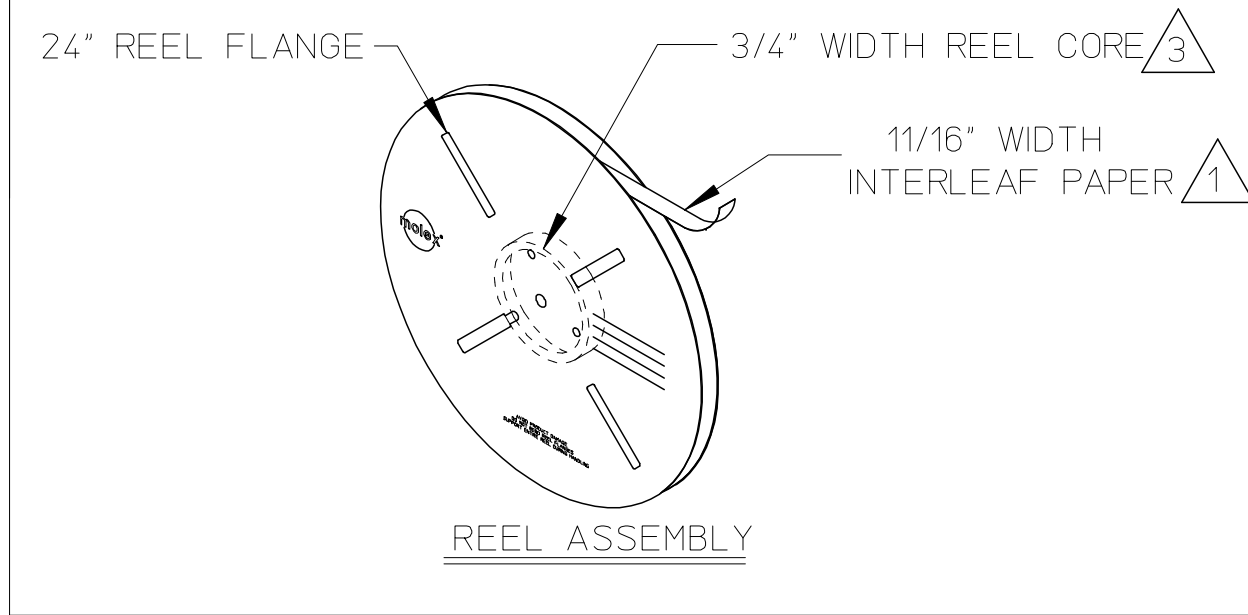
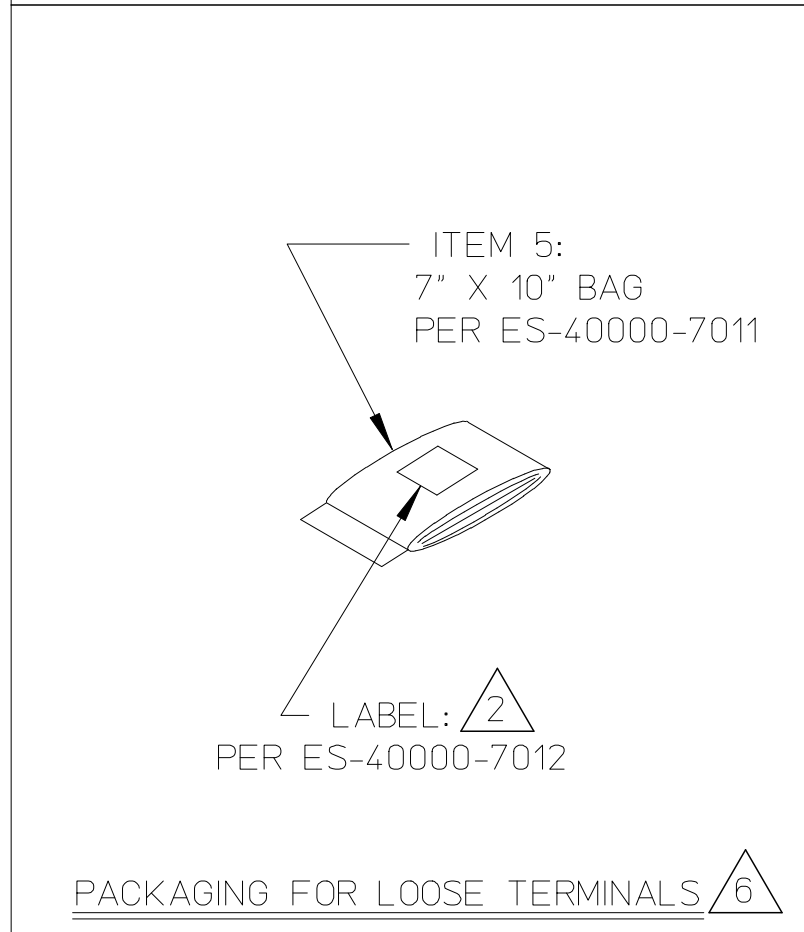
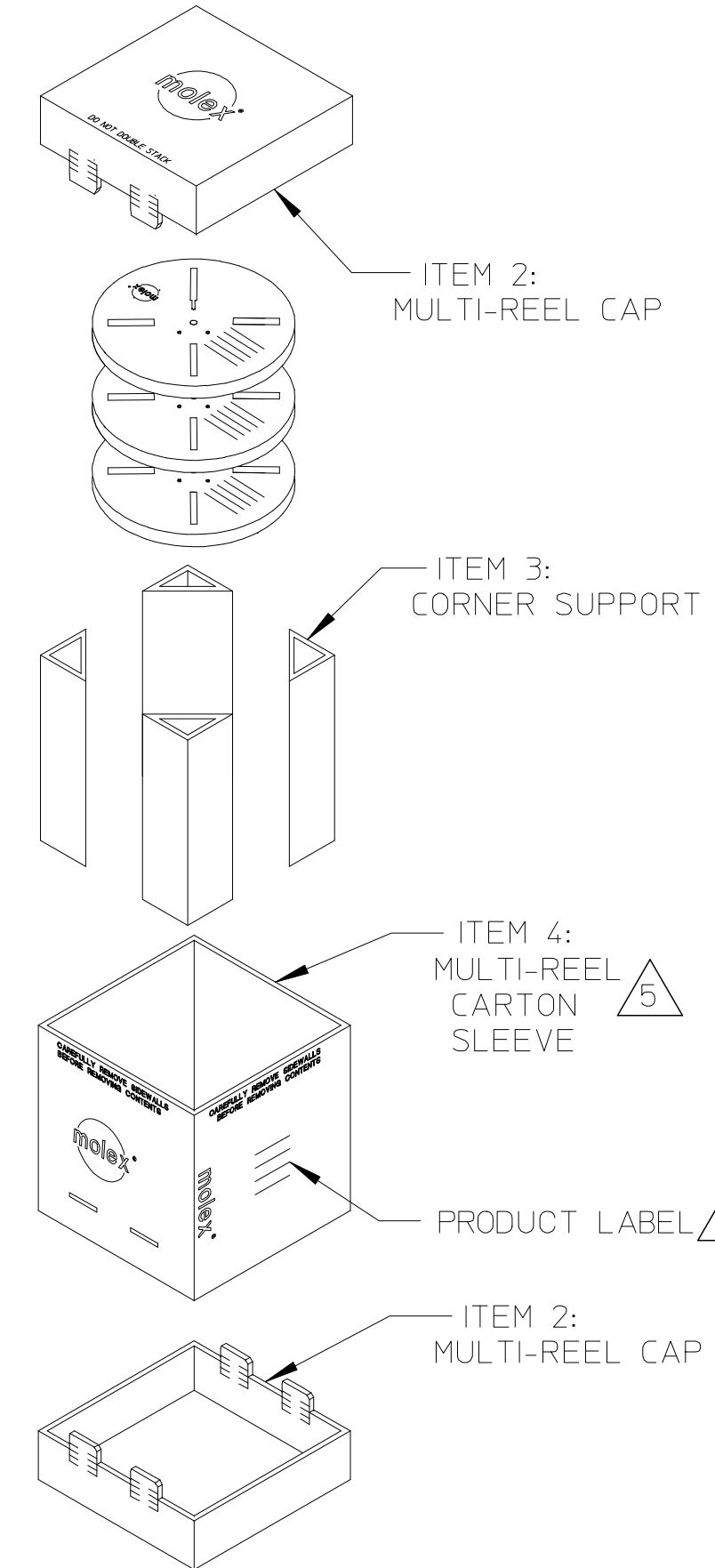
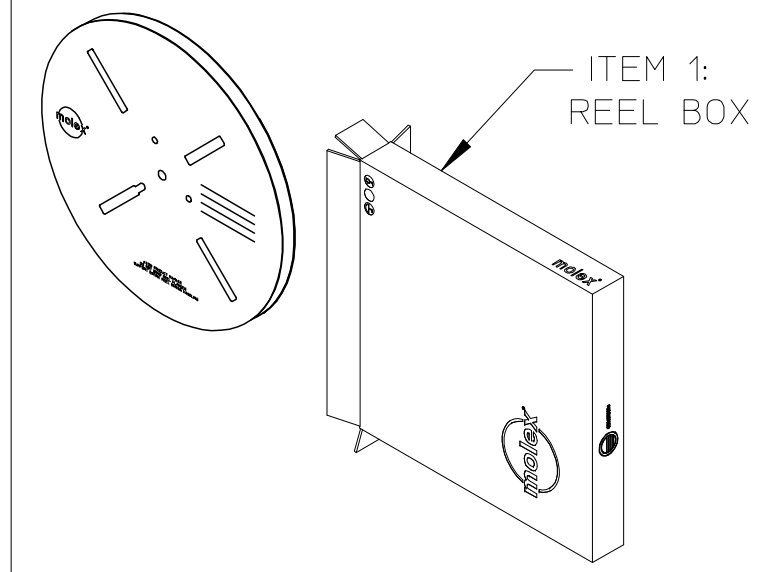
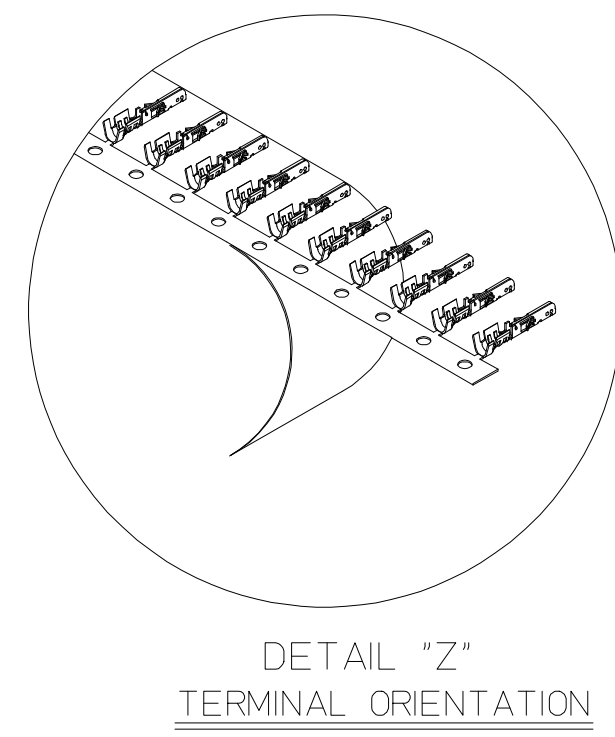
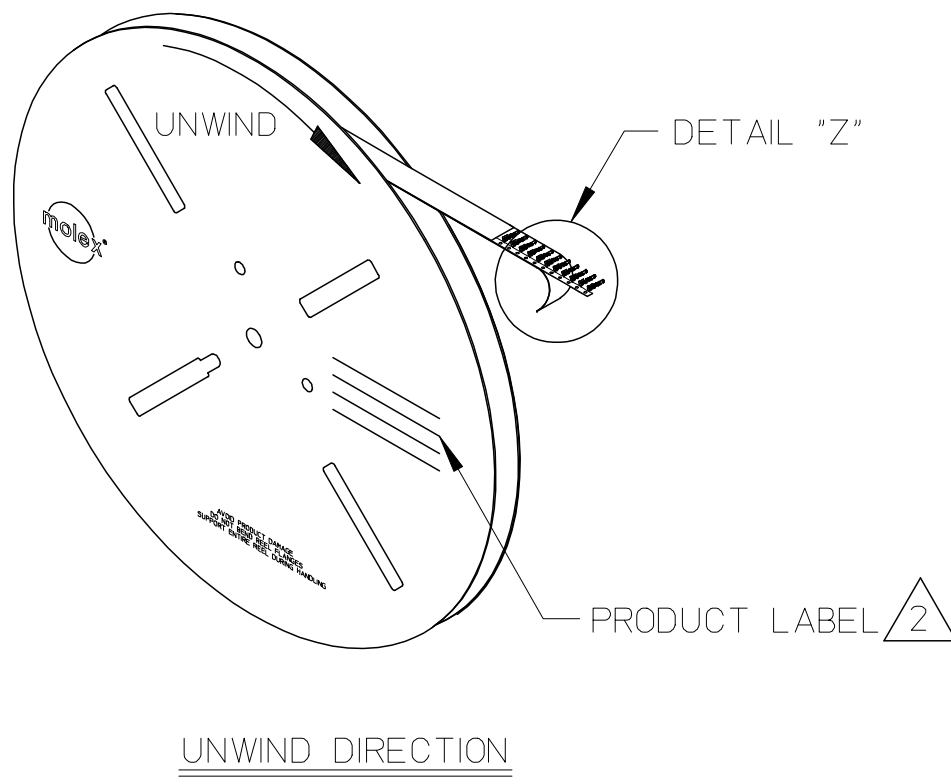


MATERIAL NUMBER	TERMINALS PER REEL	TERMINALS PER BAG (LOOSE)
45773-0001	12,000	N/A
45773-0002	12,000	N/A
45773-0003	12,000	N/A
45773-0004	12,000	N/A
45773-0005	12,000	N/A
45773-0006	12,000	N/A

REEL COMPONENT	MATERIAL NUMBER	QUANTITY
REEL CORE <sup>3</sup>	30907-6481	1
REEL FLANGE	085-06-5024	2
INTERLEAF PAPER	70180-3106	SEE NOTE 1



REELS PER CARTON	ITEM NUMBER	PACKAGING COMPONENT	QUANTITY	MATERIAL NUMBER
1	1	1 REEL BOX	1	085-01-0015
2		2 REEL BOX	1	085-02-0024
3		3 REEL BOX	1	085-02-0003
4		4 REEL BOX	1	085-02-0010
28 <sup>5</sup>	2	MULTI-REEL CAP	2	440-96-0003
	3	FULL CORNER SUPPORT	4	440-96-0002
	4	MULTI-REEL CARTON SLEEVE	1	440-96-0001
	5	7" X 10" POLY BAG	1	N/A



- NOTES:
- INTERLEAF PAPER SHOULD BE USED FOR THE ENTIRE REEL. (REF. ES-40000-7005)
  - PRODUCT LABEL TO BE ATTACHED AT THIS APPROXIMATE LOCATION.
  - REEL CORE IS CUT TO WIDTH AS INDICATED.
  - REELS MAY BE SHIPPED IN SLEEVE ASSEMBLY OR INDIVIDUAL REEL BOXES, DEPENDING ON THE QUANTITY OF THE WORK ORDER.
  - MULTI-REEL CARTON SLEEVE MAY BE CUT TO SIZE TO ACCOMMODATE LESS THAN FULL CARTON QUANTITIES.
  - BAGS OF LOOSE TERMINALS ARE SHIPPED IN BOXES. BOX SIZE IS DEPENDENT ON ORDER QUANTITY.

INITIAL RELEASE EC NO: UCP2007-1574 DRWN:MKIPPER 2007/01/15 CHKD:SSOUSEK 2007/01/18 APPR:FSMITH 2007/01/22	DESCRIPTION REV A	QUALITY SYMBOLS ▽=0 ▽=0	GENERAL TOLERANCES (UNLESS SPECIFIED)		DIMENSION STYLE IN/MM		SCALE ---	DESIGN UNITS INCH	THIRD ANGLE PROJECTION			
			4 PLACES	± ---	± ---	DRAWN BY MKIPPER	DATE 2006/12/28	TITLE				
			3 PLACES	± ---	± ---	CHECKED BY SSOUSEK	DATE 2006/12/28	PACKAGING SPECIFICATION MICRO-FIT (3.0) FEMALE CRIMP TERMINAL				
			2 PLACES	± ---	± ---	APPROVED BY FSMITH	DATE 2006/12/29	MOLEX INCORPORATED				
DRAFT WHERE APPLICABLE MUST REMAIN WITHIN DIMENSIONS			ANGULAR ±1/2°		MATERIAL NO. N/A		DOCUMENT NO. PK-45773-001		SHEET NO. 1 OF 1			
THIS DRAWING CONTAINS INFORMATION THAT IS PROPRIETARY TO MOLEX INCORPORATED AND SHOULD NOT BE USED WITHOUT WRITTEN PERMISSION												