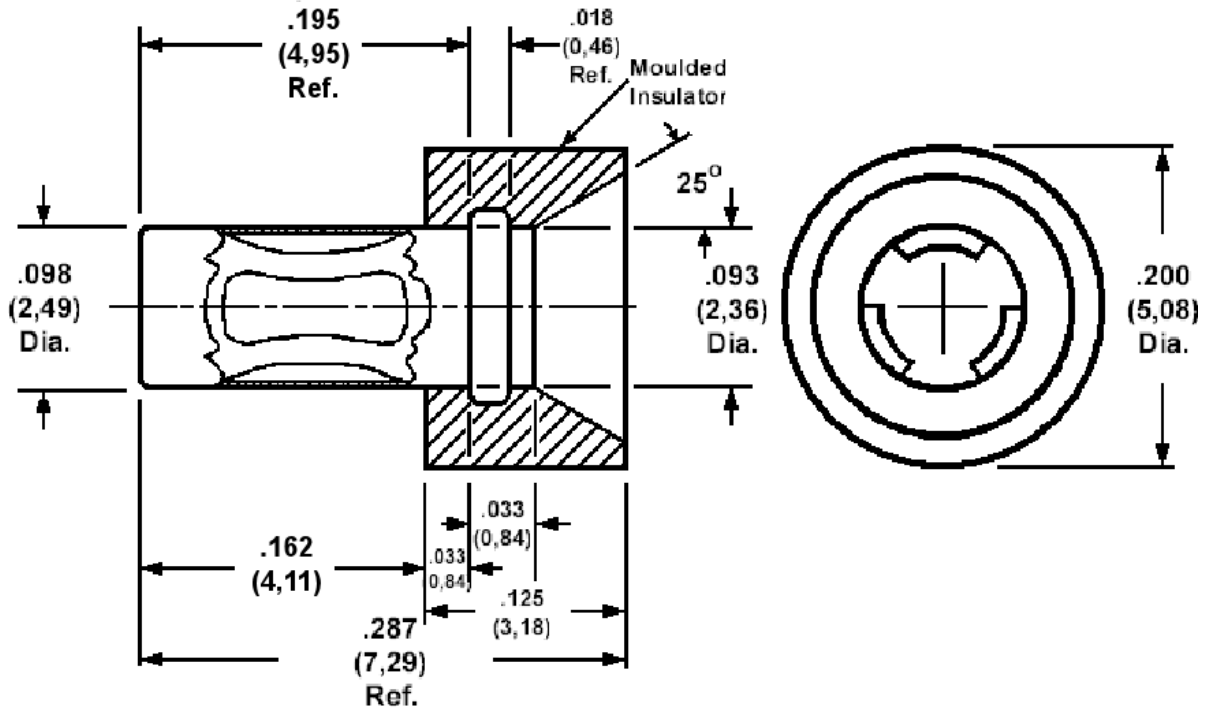


**450-1826 Solder Mount Socket With Moulded Guided Entry
 for .060 (1,52) to .062 (1,57) Diameter Pins**

Recommended mounting hole .102 (2,59) ± .002 (0,05), #38 drill



Min hole depth .250 (6,35)

How to order code
450-1826-01-XX-20
Basic Part No XX = Finish

MATERIALS				
Component	Material	Finish (-03)	Finish (-04)	Finish (-06)
Body	Brass	Gold over Nickel	Electro Tin	Electro Tin
Spring	Beryllium copper	Gold over Nickel	Electro Tin	Gold over Nickel
Moulded guide	Nylon, glass filled	Natural colour, -55°C-105°C		