

MATERIAL AND FINISH:

Insulator: Thermoplastic, black, UL-94V-0 rated.
Solder Terminals: Brass, Tin plated.

ELECTRICAL SPECIFICATIONS:

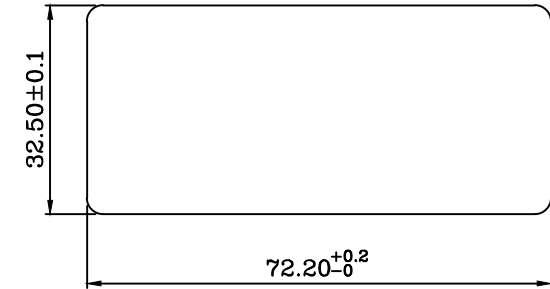
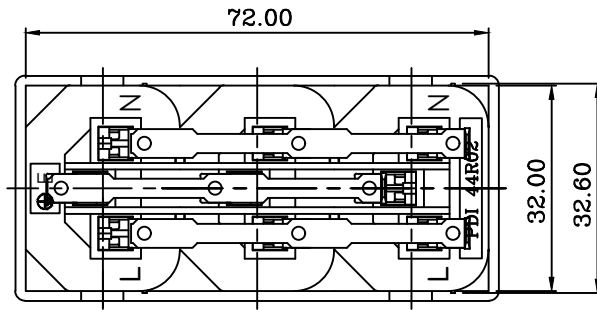
Rated current: 10A
Rated voltage: 250VAC



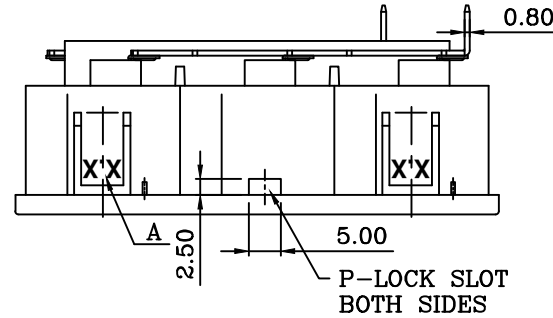
Rated current: 15A
Rated voltage: 250VAC



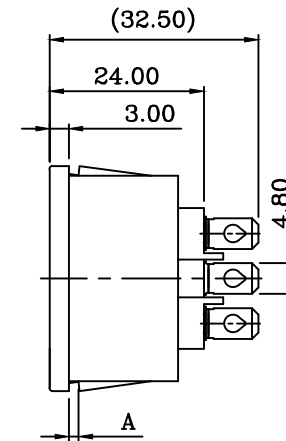
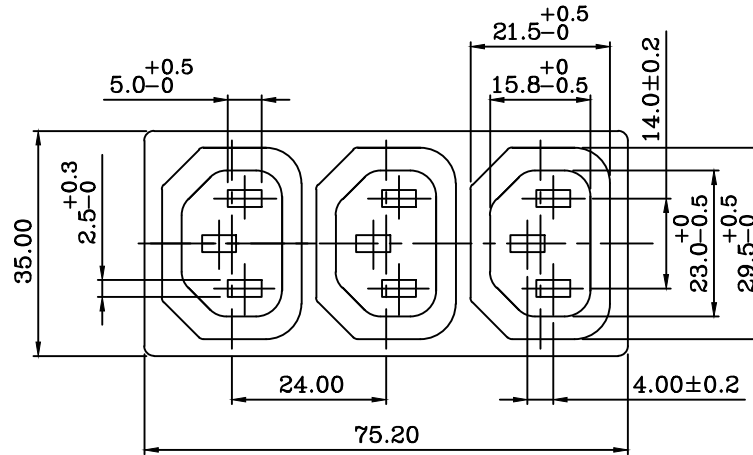
RoHS
COMPLIANT



PANEL CUTOUT



P-LOCK SLOT
BOTH SIDES



REV	DATE	CHNG	CHK	APPR
		CHANGE		
REVISIONS				

P/N	A	MAX. PANEL THICKNESS
44R02-3131-100-PL	1.0	1.0
44R02-3131-120-PL	1.2	1.2
44R02-3131-150-PL	1.5	1.5
44R02-3131-170-PL	1.7	1.7
44R02-3131-200-PL	2.0	2.0
44R02-3131-250-PL	2.5	2.5

ADDITIONAL PANEL THICKNESS
AVAILABLE ON REQUEST

TOLERANCE UNLESS OTHERWISE SPECIFIED	
X	± 1
X.X	± 0.4
X.XX	± 0.20
DRAWN BY	PB
DATE:	6/1/22
CHECK BY	-
DATE:	-
APPR BY	-
DATE:	-

Power Dynamics, Inc.

Phone: 973 560-0019 Whippany, New Jersey Fax: 973 560-0076

PART: 3 GANG IEC 60320 C13 APPLIANCE OUTLET
SNAP IN; 4.8MM Q.C. TERMINALS; P-LOCK COMPATIBLE

PART #: 44R02-3131-XXX-PL		SHEET 1 of 1
SIZE: A	ALL DIMENSIONS FOR REFERENCE ONLY	
SCALE: NTS	REV: -	