



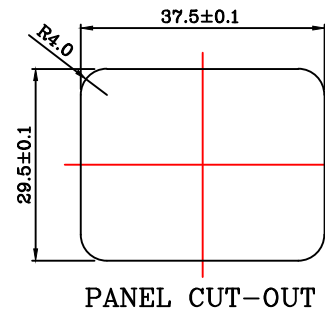
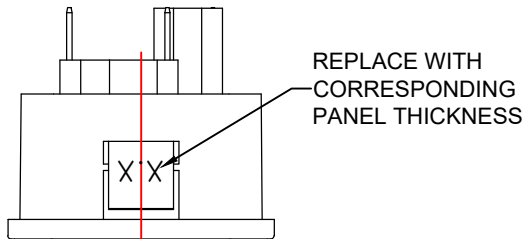
**MATERIAL AND FINISH**

Insulator: Nylon 66, UL-94V-0 rated  
 Contacts: Brass, Nickel plated

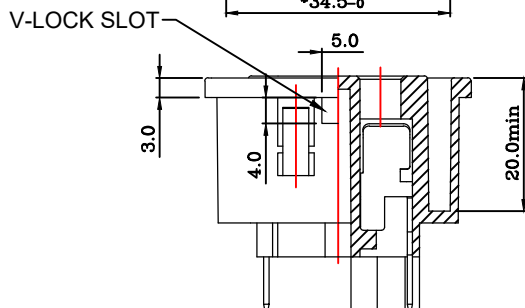
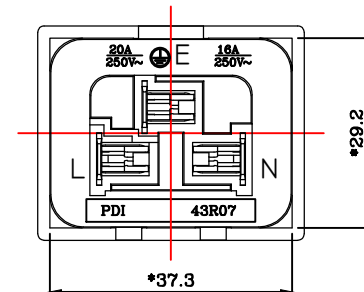
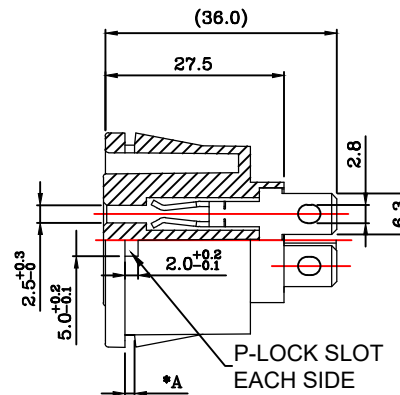
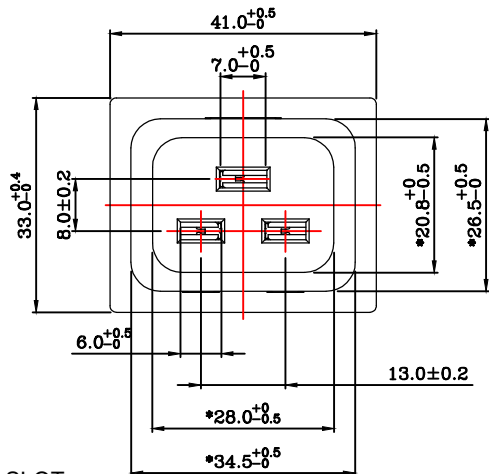
**ELECTRICAL SPECIFICATIONS:**

Current rating: 16A  20A   
 Voltage rating: 250 VAC  
 Insulation resistance: 100 Mohm min. @ 500VDC  
 Dielectric withstanding voltage: 2000VAC for one minute.

RoHS  
 COMPLIANT

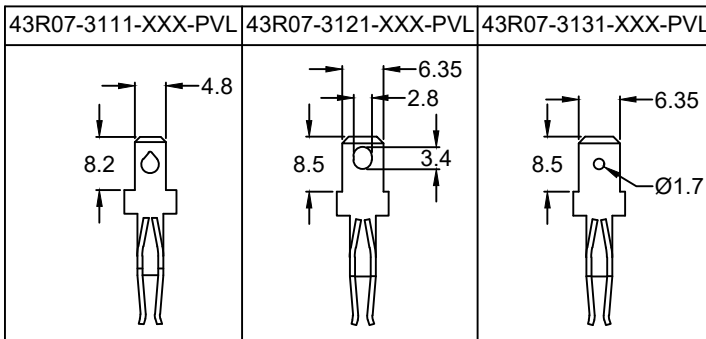


**PANEL CUT-OUT**



P/N	A	MAX. PANEL THICKNESS
43R07-31X1-120-PVL	1.2	1.2
43R07-31X1-150-PVL	1.5	1.5
43R07-31X1-170-PVL	1.7	1.7
43R07-31X1-200-PVL	2.0	2.0
43R07-31X1-250-PVL	2.5	2.5

ADDITIONAL PANEL THICKNESS  
 AVAILABLE ON REQUEST



**TOLERANCE**  
 UNLESS OTHERWISE SPECIFIED  
 X ± 1  
 X.X ± 0.4  
 X.XX ± 0.20

**Power Dynamics, Inc.**  
 Phone: 973 560-0019 Whippany, New Jersey Fax: 973 560-0076

**PART:** 16/20A IEC 60320 APPL. OUTLET; QC TERMINALS  
 PANEL MOUNT; SNAP-IN; P-LOCK & V-LOCK COMPATIBLE

DRAWN BY: PB	DATE: 6/1/22
CHECK BY:	DATE:
APPR BY:	DATE:

PART #: <b>43R07-31X1-XXX-PVL</b>		SHEET 1 of 1
SIZE: A	ALL DIMENSIONS FOR REFERENCE ONLY DIMENSIONS ARE IN MILLIMETERS	
SCALE: NTS	REV:	

REVISIONS	CHANGE	CHK	CHK	APPR
REV	DATE			