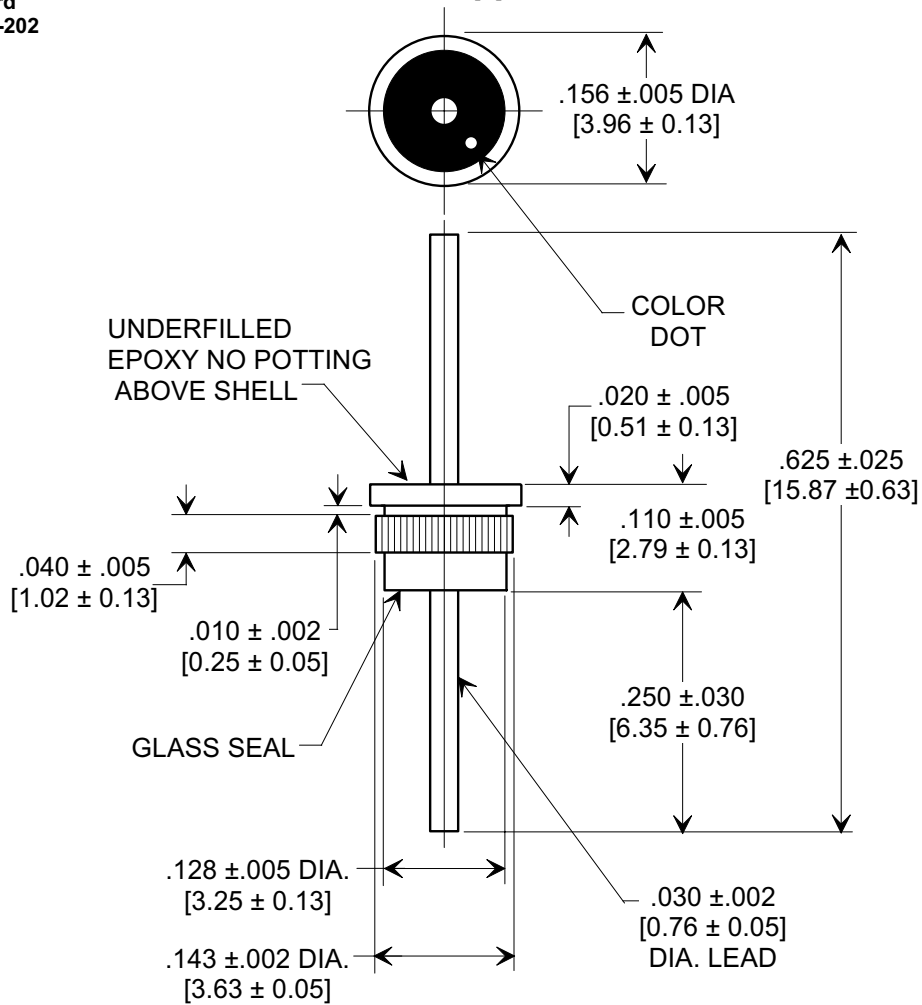
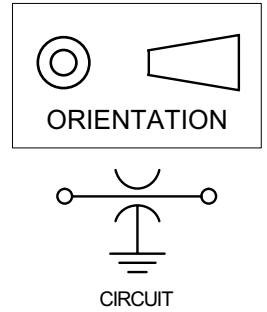


# MARKETING SALES DRAWING

DIMENSIONS IN INCHES - DO NOT SCALE THIS DRAWING  
 DIMENSIONS IN METRIC - [ ]

Electrical Testing  
 per Tusonix standard  
 test plans and Mil-Std-202  
 Test Methods.



## NOTES:

1. Gold plating, type III (99.9% min.), 100 microinch thickness over 200 microinch nickel underplate.
2. Epoxy sealed on opposite end from glass.
3. Max. recommended terminal soldering temperature: 260°C.
4. Recommended mounting hole: .136/.137 [3.45/3.48]. Hole must be free of insulating material. Proper installation requires firm, steady pressure until flange is fully seated.
5. Operating temperature range: -55°C to +125°C.
6. Tusonix Standard part number: 4304-000.  
 Tusonix RoHS compliant part number: 4304-000 LF.  
 Customer must specify Standard or RoHS part number when ordering.
7. RoHS compliant part marked with additional dark green dot for identification.

| Cx (pF) | DC Working Voltage |       | DC Current (Amps) | Dielectric Withstanding Voltage (VDC) | Insulation Resistance Min @ 100 (VDC) | MIN. NO LOAD INSERTION LOSS (dB) @ 25° C PER MIL-STD-220 |        |         |      |        | COLOR CODE |
|---------|--------------------|-------|-------------------|---------------------------------------|---------------------------------------|--|--------|---------|------|--------|------------|
|         | 85°C               | 125°C |                   |                                       |                                       | 1 MHz  | 10 MHz | 100 MHz | 1GHz | 10 GHz |            |
| 10 GMV  | 300                | 200   | 5                 | 500                                   | 10 G                                  | ---  | ---    | ---     | 5    | 20     | VIOLET     |

|   |  |                                     |                 |  |
|---|--|-------------------------------------|-----------------|--|
| REVISION RECORD<br>Original Release C.O.<br>WAS SK 7718-005 L.E. 09-05-01<br><b>20010829-2-04</b><br>DIM. REV'D .040 ± .005 WAS +.005 / -.000 L.E. 10-04-01<br><b>20010921-7-03</b><br>COLOR CODE & NOTE 5 ADDED L.E. 01-08-03<br><b>20030107-4-01</b><br>POTTING ABOVE SHELL REMOVED L.E. 03-07-03<br><b>20030304-4-02</b><br>ADDED NOTES 6 & 7. S.M. 05-31-05<br><b>20050513-4-34</b> | --TOLERANCES--<br>Unless Otherwise Specified | Title<br><b>PRESS-IN EMI FILTER</b> |                 |  |
|   | DECIMAL ±                                    | Drawn L.E. 08-03-01                 | Scale 5 X       |  |
|   | ANGLES ±                                     | Approved B.M. 08-03-01              |                 |  |
|   | <b>TUSONIX</b><br>TUCSON, ARIZONA            | <b>A</b>                            | <b>4304-000</b> |  |

X-2015 Rev-0