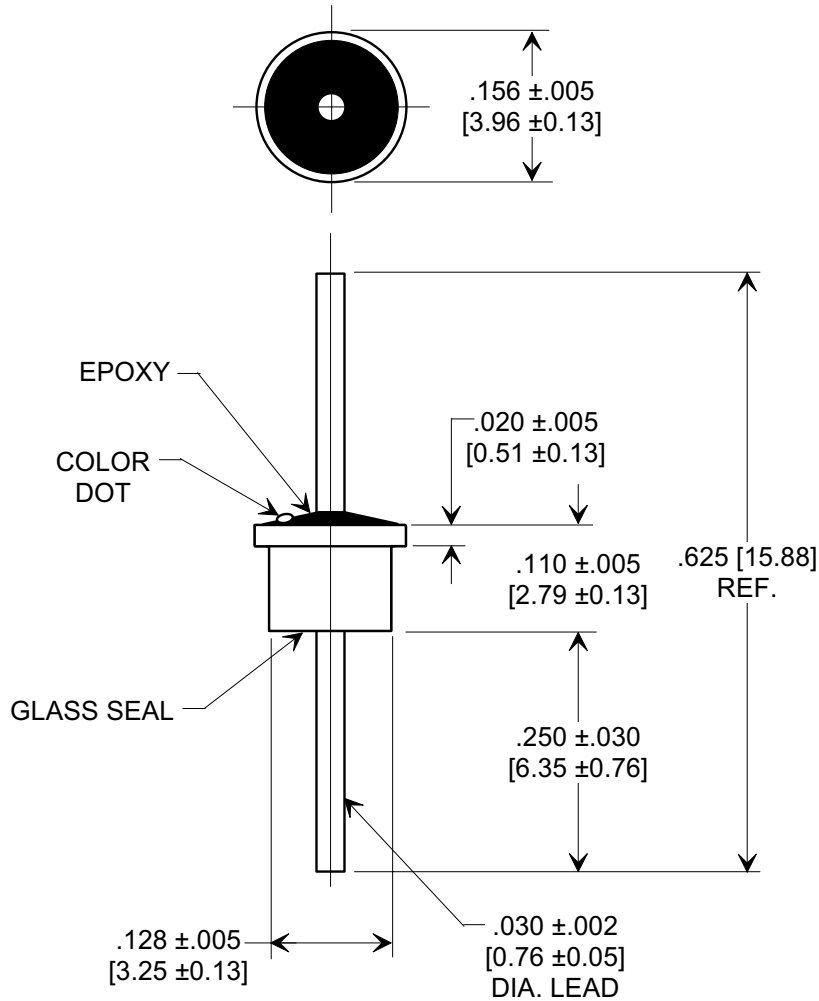
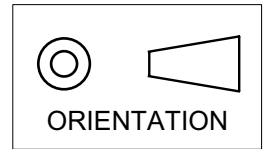


MARKETING SALES DRAWING
 DIMENSIONS IN INCHES - DO NOT SCALE THIS DRAWING
 DIMENSIONS IN METRIC - []

Electrical Testing
 per Tusonix standard
 test plans and Mil-Std-202
 Test Methods.



NOTES:

- Operating temperature range: -55°C to +125°C.
- Gold plated case and lead.
- Epoxy sealed on opposite end from glass seal.
- Max. recommended soldering temperature: 260°C.
See installation recommendations.
- Recommended mounting hole: .135 dia.
- Solder preform available for mounting.
- Tusonix Standard part number: 4300-005.
Tusonix RoHS compliant part number: 4300-005 LF.
Customer must specify Standard or RoHS part number when ordering.
- RoHS compliant part marked with additional dark green dot for identification.

| Cx (pF) | TOL. | DC WORKING VOLTAGE | | I.R. MIN. @ 100 (VDC.) | DWV (VDC) | DC CURRENT (AMPS) | MIN. NO LOAD INSERTION LOSS (dB) @ 25° C PER MIL-STD-220 | | | | | COLOR CODE |
|---------|------|--------------------|-------|------------------------|-----------|-------------------|--|--------|---------|-------|--------|------------|
| | | 85°C | 125°C | | | | 1 MHz | 10 MHz | 100 MHz | 1 GHz | 10 GHz | |
| 10,000 | GMV | 70 | 50 | 10 G | 150 | 5 | 4 | 20 | 35 | 50 | 60 | BLACK |

X-2015 Rev-0

| | | |
|--|--|-----------|
| REVISION RECORD | Original Release | 0 |
| | REDRAWN & REVISED ADDED 008, 009 & 010. E.C. 05-30-90 | 10 |
| | VAR S 005, 006, 007 & 1MHz COLUMN ADDED. L.I.E. 11-07-90 | 11 |
| | VAR S 080 WAS 010 & VAR 013 ADDED. L.I.E. 06-10-91 | 12 |
| RDN TO COMP FMP. STYLE DWG SPLIT FOR EACH VAR. S.M. 10-02-02 | 13 | |
| ADDED NOTES 7 & 8. S.M. 05-23-05 | 14 | |
| 20021001-7-04 | | |
| 20050511-2-11 | | |

--TOLERANCES--
Unless Otherwise Specified

DECIMAL ± NOTED

ANGLES ±

TUSONIX
TUCSON, ARIZONA

A

4300-005

Title: **SOLDER MOUNT EMI FILTER**

Drawn: S.M. 10-02-02 Scale: 5 X

Approved: T.C. 10-02-02