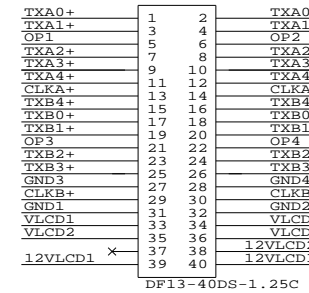
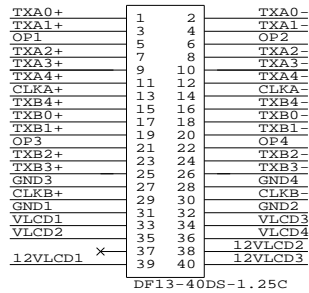
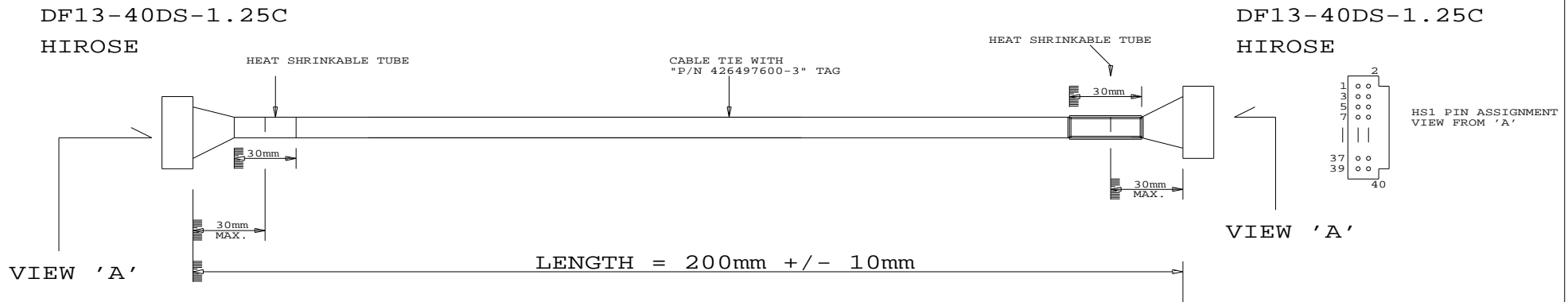


CONNECTION DIAGRAM:

TOLERANCE:  
+1.0mm  
-1.0mm



PANEL SIDE



CABLE: SHIELDED ROUND  
UL 20276, 20 PAIRS, 28AWG, L=200mm  
JACKET: PVC COLOR BLACK

TWISTED PAIRS: PIN1-2,3-4,5-6,.....33-34,35-36,X-38,39-40

RoHS  
COMPLIANCE

P/N 426497600-3  
LVDS PANEL CABLE: PW9800, 200mm

DIGITAL VIEW LTD.		
COPYRIGHT 2008, ALL RIGHTS RESERVED		
CONFIDENTIAL		
DRAWN BY: VICTOR NG		
Title LVDS CBL: PW9800, 200mm		
Size	Document Number	REV
B	(...\DV\DV_CABLE\C6497600.SCH)	00
Date:	August 26, 2008	Sheet 1 of 1