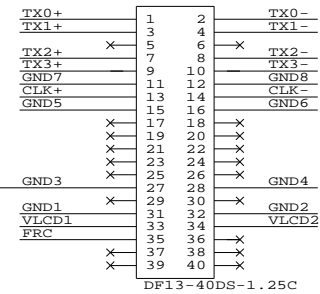
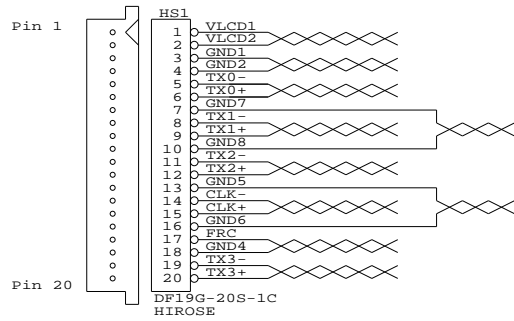


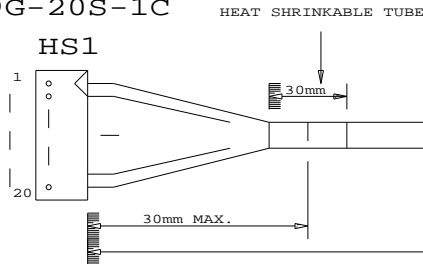
PANEL SIDE



TOLERANCE:
+1.0mm
-1.0mm

HIROSE

DF19G-20S-1C

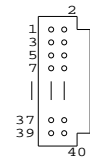


CONNECT TO SHIELDING OF THE CABLE

HEAT SHRINKABLE TUBE

DF13-40DS-1.25C
HIROSE

CABLE TIE WITH
"P/N 426496600-3" TAG



HS1 PIN ASSIGNMENT
VIEW FROM 'A'

VIEW 'A'

LENGTH = 460mm +/- 10mm

CABLE: SHIELDED ROUND
UL 20276, 10 PAIRS, 30AWG, L=460mm
JACKET: PVC COLOR BLACK

USAGE:
CABLE FOR NEC NL12880BC20-02D PANEL
(FOR SVH-1920, SP1600, ALR-1400)

RoHS
COMPLIANCE

P/N 426496600-3
LVDS PANEL CABLE: NEC NL12880BC20-02D, 460mm

DIGITAL VIEW LTD. COPYRIGHT 2007, ALL RIGHTS RESERVED CONFIDENTIAL		
DRAWN BY: VICTOR NG		
Title LVDS CABLE: NEC NL12880BC20-02D, 460mm		
Size	Document Number	REV
B	(...\DV\DV_CABLE\C6496600.SCH)	00
Date:	March 14, 2008	Sheet 1 of 1