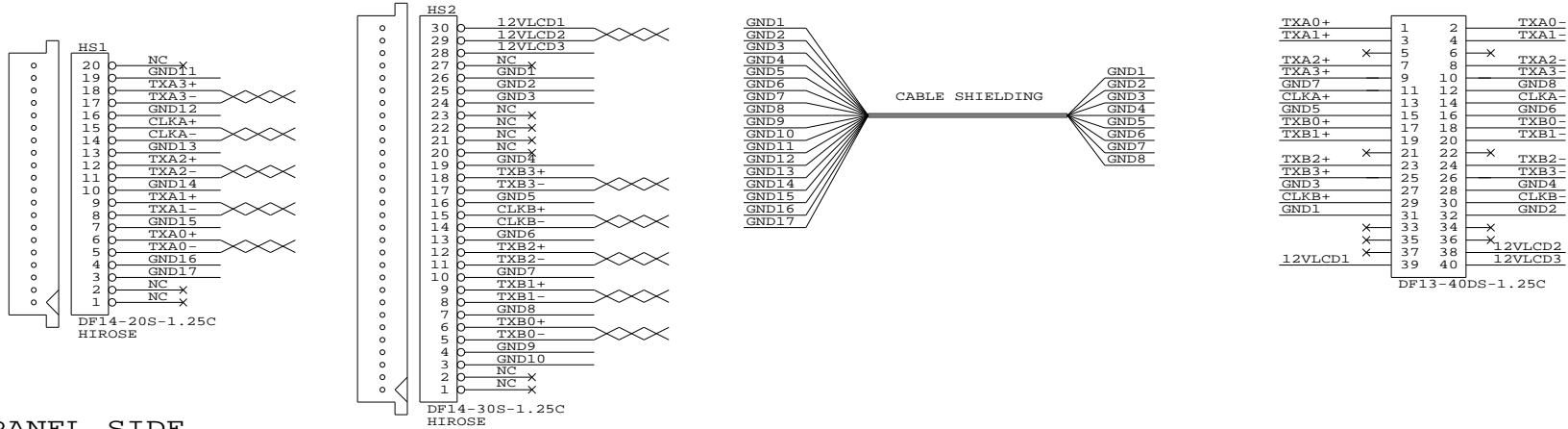
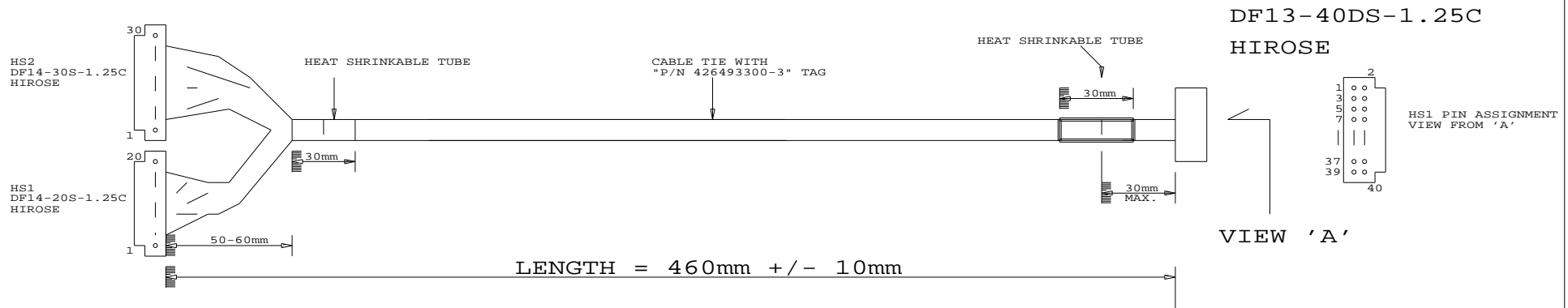


CONNECTION DIAGRAM:

TOLERANCE:  
+1.0mm  
-1.0mm



PANEL SIDE



CABLE: SHIELDED ROUND  
UL 20276, 12 PAIRS, 30AWG, L=460mm  
JACKET: PVC COLOR BLACK

USAGE:  
CABLE FOR NEC NL128012AC31-02 PANEL  
(WITH SVH-1920)

RoHS  
COMPLIANCE

P/N 426493300-3  
LVDS PANEL CABLE: NEC NL128102AC31-02, 460mm

DIGITAL VIEW LTD.		
COPYRIGHT 2006, ALL RIGHTS RESERVED		
CONFIDENTIAL		
DRAWN BY: VICTOR NG		
Title LVDS CBL: FOR NEC NL128012AC31-02, 460mm		
Size Document Number		REV
B	(...\DV\DV_CABLE\C6493300.SCH)	02
Date:	February 19, 2008	Sheet 1 of 1