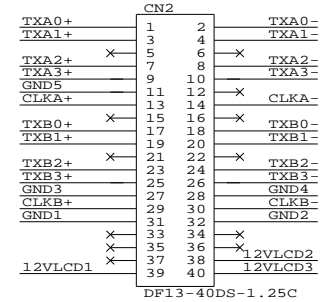
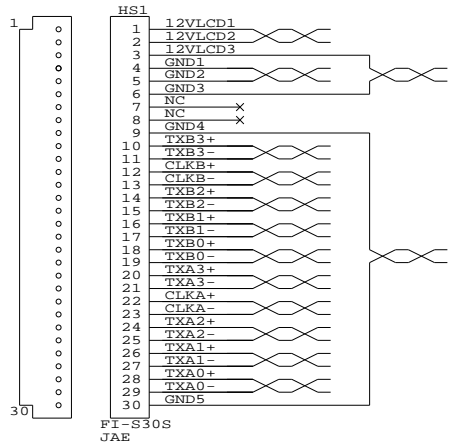
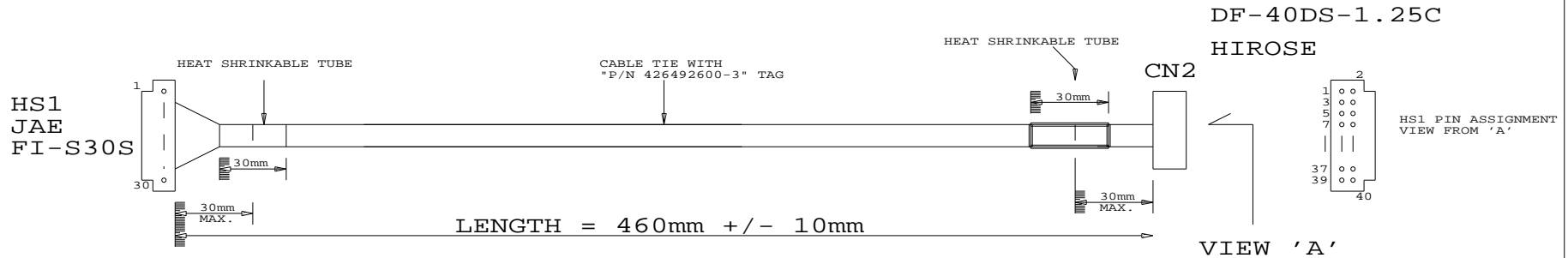


CONNECTION DIAGRAM:

TOLERANCE:
+1.0mm
-1.0mm



PANEL SIDE



CABLE: SHIELDED ROUND
UL 20276, 14 PAIRS, 30AWG, L=460mm
JACKET: PVC COLOR BLACK

USAGE:
CABLE FOR SHARP LQ181E1LW31 PANEL
(WITH SVH-1920)

P/N 426492600-3
LVDS PANEL CABLE: SHARP LQ181E1LW31, 460mm

DIGITAL VIEW LTD.		
COPYRIGHT 2006, ALL RIGHTS RESERVED		
CONFIDENTIAL		
DRAWN BY: VICTOR NG		
Title LVDS CBL: FOR SHARP LQ181E1LW31, 460mm		
Size	Document Number	REV
B	(...\DV\DV_CABLE\C6492600.SCH)	00
Date:	May 3, 2006	Sheet 1 of 1