

XMEP3K0PT230

Electronic pressure sensors, Pressure sensors XM, transmitter, XMEP, 3000 PSI, 1/4"18NPT, 4...20 mA, Deutsch, set of 1



Main

Range of Product	OsiSense XM
Product or Component Type	Electronic pressure sensors
Pressure sensor type	Pressure transmitter
Pressure sensor name	XMEP
Electrical circuit type	Control circuit
Pressure Rating	3000 psi (20684.27 kPa)
Local display	Without
Controlled fluid	Fresh water 32...257 °F (0...125 °C) Air -40...257 °F (-40...125 °C) Hydraulic oil -40...257 °F (-40...125 °C)
Fluid connection type	1/4" - 18 NPT (male)
Electrical connection	DEUTSCH connector DT04-3P 3 pins
[Us] rated supply voltage	12...24 V DC SELV 9...36 V)
Current Consumption	< 23 mA
Type of output signal	Analogue
Analogue output function	4...20 mA, 2-wire
Quantity per Set	Set of 1
Type of Packing	Individual

Complementary

Pressure setting range	0...3000 psi (0.00...20684.27 kPa)
Maximum permissible accidental pressure	9000 psi (62052.81 kPa)
Destruction pressure	18000 psi (124105.63 kPa)
Materials in contact with fluid	Stainless steel AISI 316L
Operating position	Any position
Protection Type	Load short-circuit Reverse polarity
Electromagnetic compatibility	Electrostatic discharge immunity test ISO 10605 criteria A 15 kV air, 15 kV contact Susceptibility to electromagnetic fields ISO 11452-2 criteria A 100 V/m 200...2000 MHz Susceptibility to electromagnetic fields ISO 11452-4 criteria A 100 mA 20...400 MHz Susceptibility to conducted disturbances EN/IEC 61000-4-6 criteria A 30 V 0.15...80 MHz Electrical fast transient/burst immunity test EN/IEC 61000-4-4 criteria A 4 kV Susceptibility to conducted transient disturbances ISO 7637-2 criteria B level 3
[Uimp] rated impulse withstand voltage	0.5 kV
Response time on output	<= 2 ms 10...90 % of full scale
Measurement accuracy	+/- 0.5 % of the measuring range
Resolution	0.1 % of the measuring range
Drift of the sensitivity	+/- 0.02 % of measuring range/°K
Drift of the zero point	+/- 0.02 % of measuring range/°K
Long term stability	+/- 0.5 % of the measuring range
Mechanical durability	10000000 cycles
Net Weight	0.22 lb(US) (0.098 kg)

The information provided in this documentation contains general descriptions and/or technical characteristics of the performance of the products contained herein. This documentation is not intended as a substitute for and is not to be used for determining suitability or reliability of these products for specific user applications. It is the duty of any such user or integrator to perform the appropriate and complete risk analysis, evaluation and testing of the products with respect to the relevant specific application or use thereof. Neither Schneider Electric Industries SAS nor any of its affiliates or subsidiaries shall be responsible or liable for misuse of the information contained herein.

Diameter	1.02 in (26 mm)
Length	2.50 in (63.4 mm)

Environment

Standards	ISO 14982 ECE 10R-5 ISO 13766 UL 61010-1 EN 13309 EN/IEC 61326-2-3
Product Certifications	CE E2 cULus
Ambient Air Temperature for Operation	-40...212 °F (-40...100 °C)
Ambient Air Temperature for Storage	-58...212 °F (-50...100 °C)
Vibration resistance	12 gn sinus 20...520 Hz) test 4 ISO 16750-3 18 gn random 10...2000 Hz) test 4 ISO 16750-3
Shock resistance	50 gn 11 ms EN/IEC 60068-2-27
IP degree of protection	IP65 conforming to EN/IEC 60529 IP67 conforming to EN/IEC 60529 IP69K conforming to EN/IEC 60529

Ordering and shipping details

Category	22419-PRESSURE SWITCH IEC (HIGH,LOW,GEN)
Discount Schedule	DS2
GTIN	3389119636964
Nbr. of units in pkg.	1
Package weight(Lbs)	3.46 oz (98.0 g)
Returnability	No
Country of origin	CH

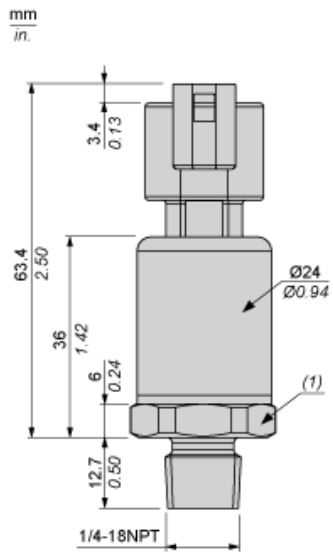
Packing Units

Unit Type of Package 1	PCE
Package 1 Height	1.61 in (4.1 cm)
Package 1 width	1.77 in (4.5 cm)
Package 1 Length	3.35 in (8.5 cm)

Offer Sustainability

Sustainable offer status	Green Premium product
California proposition 65	WARNING: This product can expose you to chemicals including: Diisononyl phthalate (DINP), which is known to the State of California to cause cancer, and Di-isodecyl phthalate (DIDP), which is known to the State of California to cause birth defects or other reproductive harm. For more information go to www.P65Warnings.ca.gov
REACH Regulation	REACH Declaration
EU RoHS Directive	Pro-active compliance (Product out of EU RoHS legal scope) EU RoHS Declaration
Mercury free	Yes
RoHS exemption information	Yes
Environmental Disclosure	Product Environmental Profile

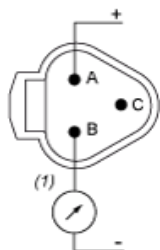
Dimensions



(1) SW24, tightening torque □ 24 N-m / 212 lb-in

Connections and Schema

Connector Wiring



- (1) I out
Pin Not connected
C :

Performance Curves

Curves

