


Number of contacts

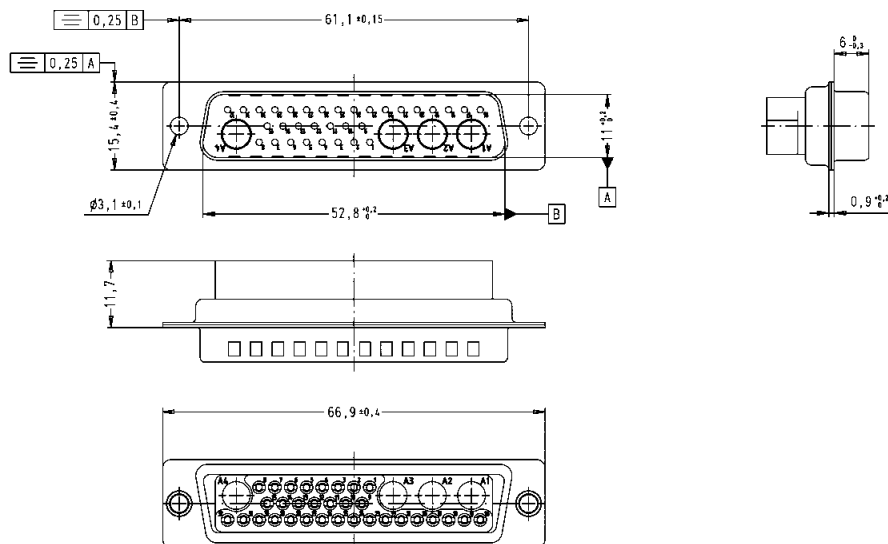
36



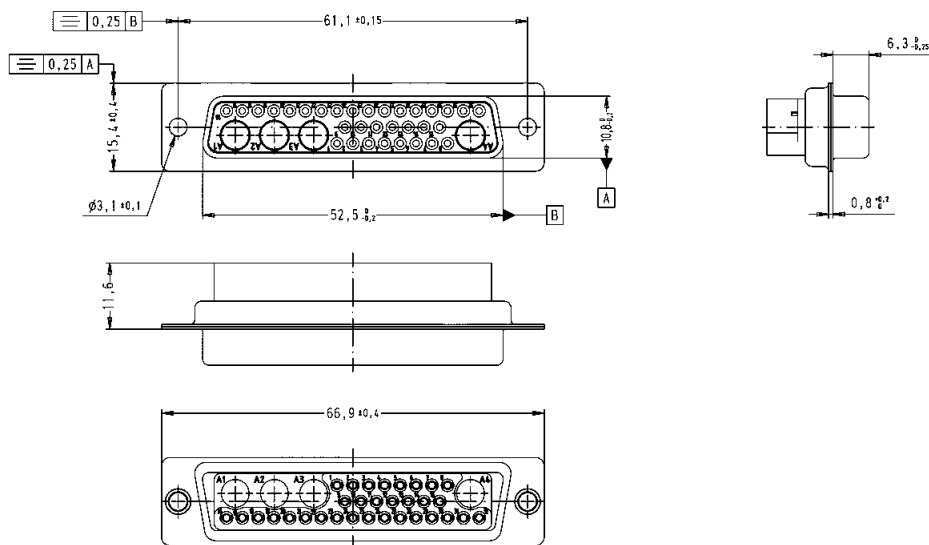
Mixed shells for signal crimp contacts

| Identification | No. of contacts ¹⁾ | Part number | |
|--|-------------------------------|----------------|------------------|
| | | male connector | female connector |
|  | 36W4 | 09 69 512 0364 | 09 69 502 0364 |

Male connectors



Female connectors



Dimensions in mm

¹⁾ Explanations see page 05.51
 Board drillings see pages 05.78 ff
 Order special contacts separately. See pages 05.69 ff