


Number of contacts

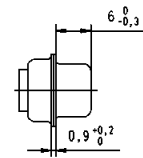
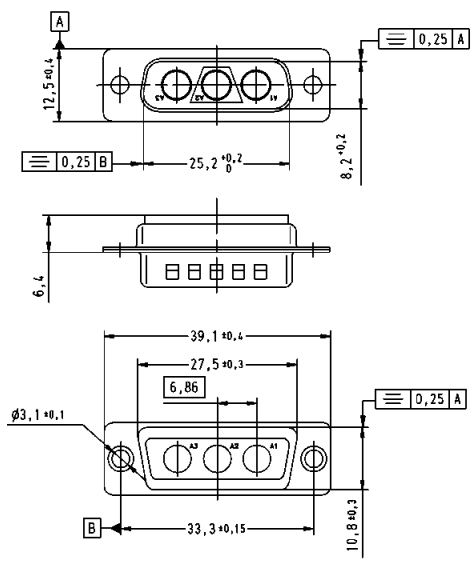
3



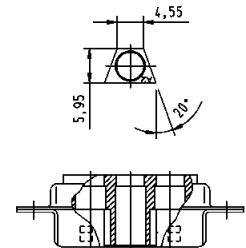
Coded shells without signal contacts for cable applications

Identification	No. of contacts ¹⁾	Part number	
		male connector	female connector
	3W3C	09 69 210 0633	09 69 200 0633

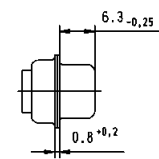
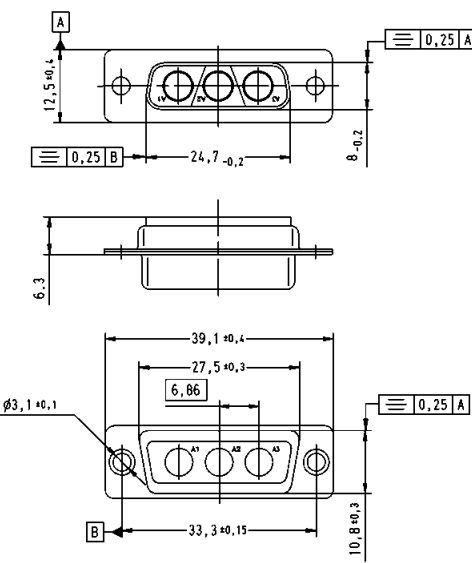
Male connectors



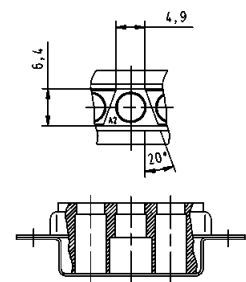
detail:
polarization feature



Female connectors



detail:
polarization feature



Dimensions in mm

¹⁾ Explanations see page 05.51
Board drillings see pages 05.78 ff
Order special contacts separately. See pages 05.69 ff