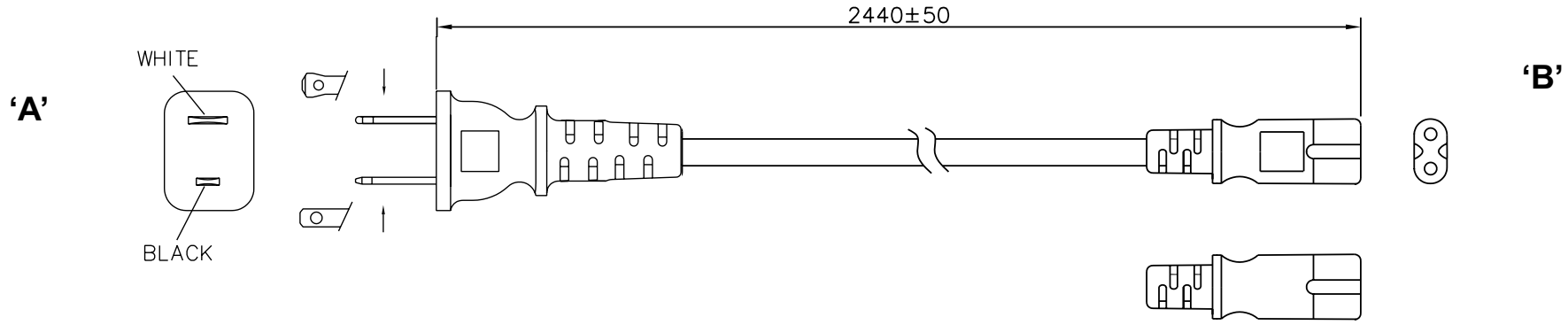


PROPRIETARY INFORMATION:
 PROPRIETARY OF GLOBTEK, INC. ANY REPRODUCTION, DISCLOSURE OR USE OF THIS DRAWING, IN WHOLE OR IN PART, IS HEREBY PROHIBITED EXCEPT AS SPECIFIED IN WRITING BY GLOBTEK, INC.

REVISION			
REV	DESCRIPTION	DATE	APPROVED
A	INITIAL RELEASE, RFS. 12958, SO	02/08/08	BS
B	ADD NOTE TO PACKING, RFS. 13049, SO	02/25/08	BS
C	UPDATE BAG DIMENSIONS, RFS. 17450, SO	11/10/09	BS

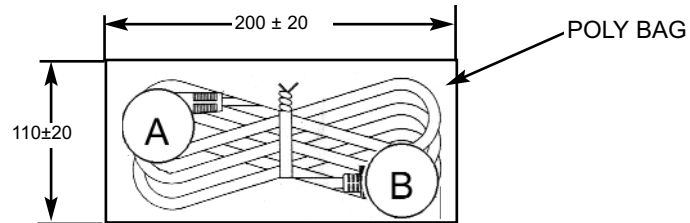


GENERAL SPECIFICATIONS:

CABLE TYPE / SIZE: SJT , 18AWG X 2C
 TEMPERATURE RATING: 60° C MIN.
 OVERALL LENGTH (L): 2440 ± 50 mm
 CABLE OUTER SIZE: 7.5 ± 0.1 mm
 END 'A' PLUG: NEMA 1-15P (POLARIZED)
 END 'B': IEC 320/C7
 COLOR: BLACK (PLUG, CABLE)
 APPROVALS PLUG: UL, CSA or cUL
 APPROVALS CABLE: UL, CSA or cUL

PACKING:

1. INDIVIDUALLY POLY BAGGED (100 pcs PER CARTON).
2. INDIVIDUALLY BAGGED CORDS MUST BE PACKED INSIDE A MASTER BAG BEFORE THEY ARE PACKED INTO A SHIPPING CARTON.



NOTES:

1. CORD AND PLUG MARKED WITH APPROVAL SYMBOLS, OR FILE NUMBER(S).



OR



DASH NO.	PART NO	REV.	DESCRIPTION	NOTES
TABULATION BLOCK				
		TOLERANCES: DECIMALS ANGULAR .xx +/- 0.1 +/- 1° .xxx +/- .005		GlobTek, Inc. www.globtek.com 186 Veterans Dr. Northvale, NJ 07647 Tel. 201-784-1000 Fax 201.784.0111
		MILLIMETERS ANGULAR .xx +/- 0.3 +/- 1° .xxx +/- .013		
INIT.BY: SO	DATE: 02/08/08	DWG TITLE: NORTH AMERICAN DETACHABLE CORDSET		
DRAWN: NF	DATE: 02/08/08	FSCN No.: G, CC	SIZE: A	REV. C
APRVD: HM	DATE: 02/08/08	SCALE: NONE	PART NO: 401P1088F703AD(R)	SHEET 1/1

Foot Note:
 Globtek Inc. will not be liable for the safety and performance of these power product if unauthorized access and repair occurs. End user should consult the applicable UL, CSA or EN Standards for proper installation instruction.

Limitation of Use:
 Globtek product are not authorized for use as mission critical components in life support, hazardous environment, nuclear or aircraft applications without prior written approval from the CEO of Globtek Inc.

Contents of this document are subject to change without prior notice