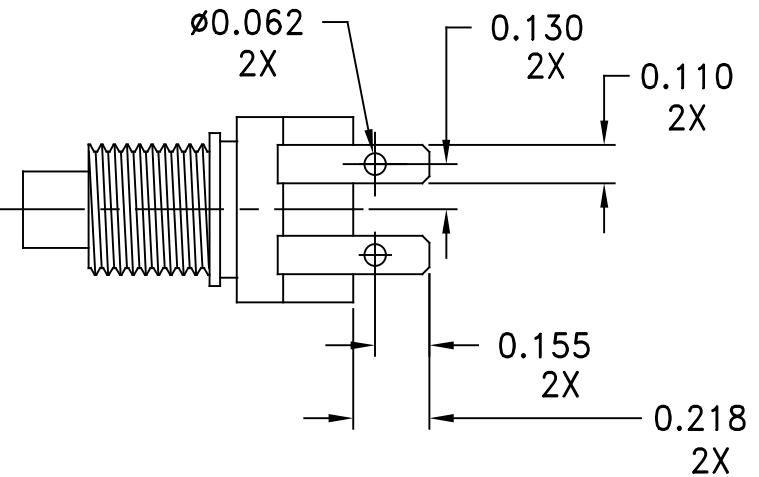
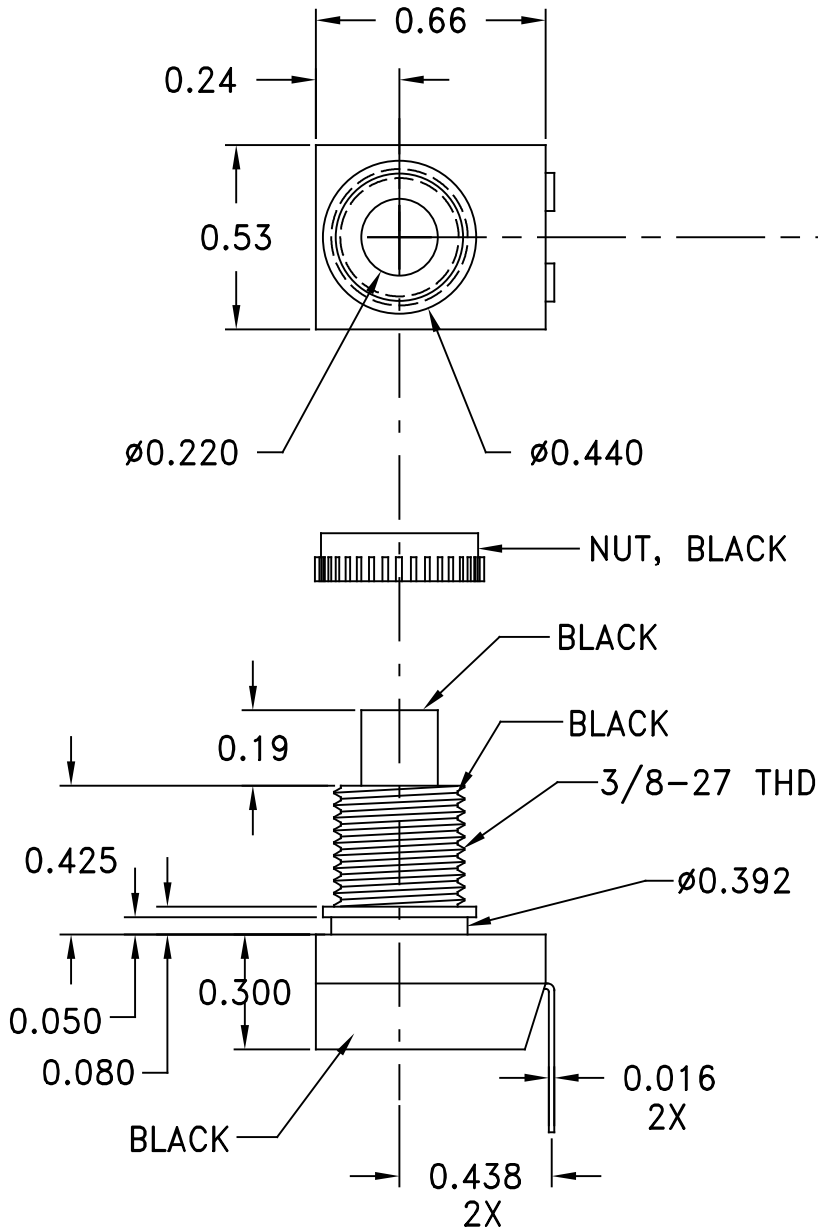


LTR	EN	DESCRIPTION	APPR	BY	DATE
A	-	INITIAL RELEASE	RB	DC	06-24-03
B	-	CORRECTED INVENTORY NUMBER AND UPDATED SWITCH DESCRIPTION	MT	DC	06-15-12

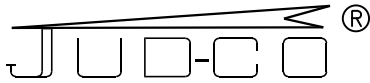


JUDCO INVENTORY NO. 40-3425-03
 SWITCH TYPE: MOMENTARY, NORMALLY OPEN
 NUT INCLUDED

CUSTOMER:

APPROVED BY: _____

DATE: _____

DIMENSIONS IN INCHES DIMENSIONS ARE REFERENCE		 HARBOR CITY CALIFORNIA	
DRAWN: DC 06-24-03		TITLE: OUTLINE	
APPR: KJ 06-24-03		J-188A-2S 512 NON UL	
ENG'G: IS 06-15-12		DWG. NO. 1415-425	
1415U425B.DWG		SHEET 1 OF 1	