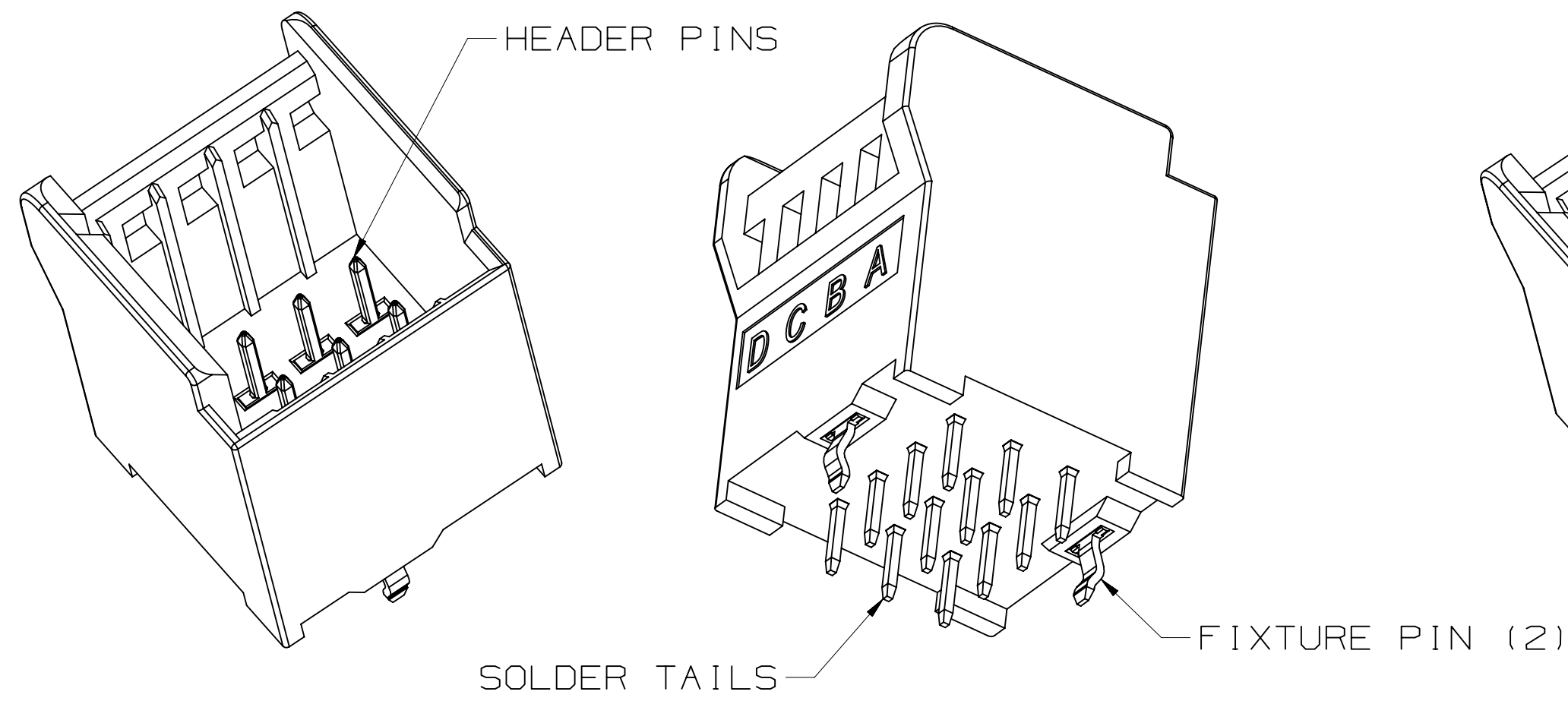
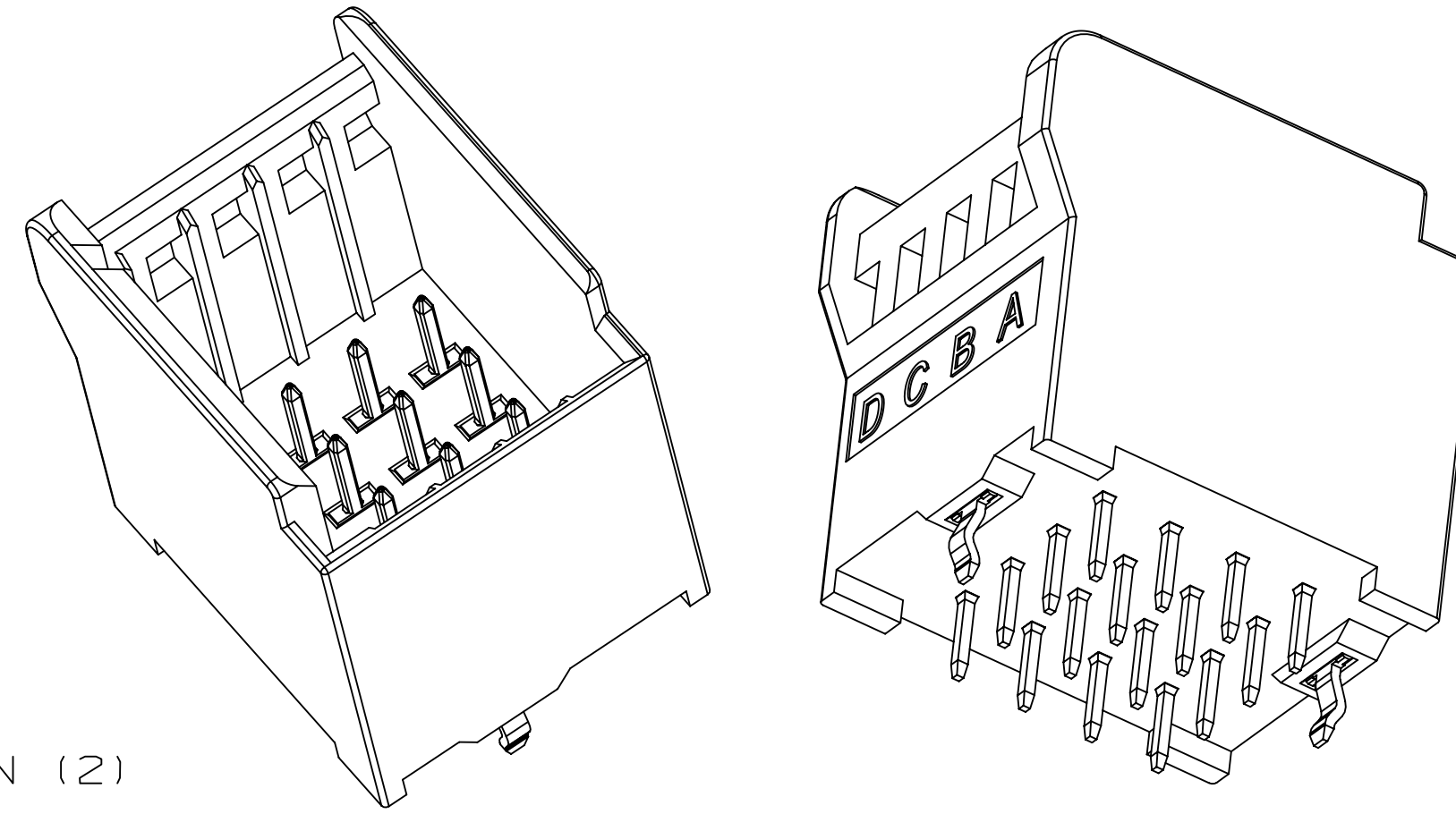


3M™ MINI STACK CONNECTOR, BOARDMOUNT HEADER STRAIGHT TYPE  
3S6XX-62XX SERIES

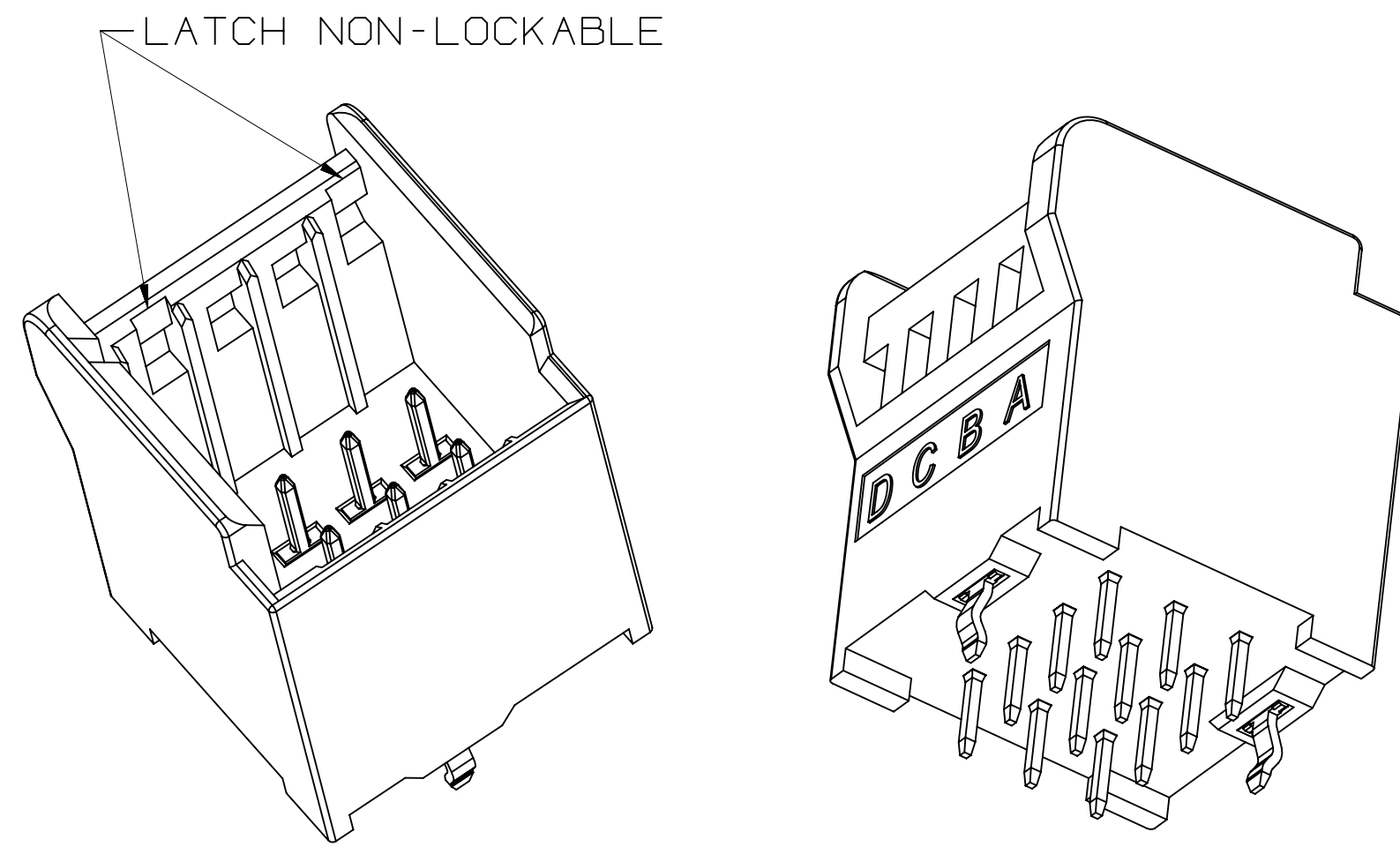
12 POSITION HEADER COMMON TYPE  
3S612-62C3-B00 PP



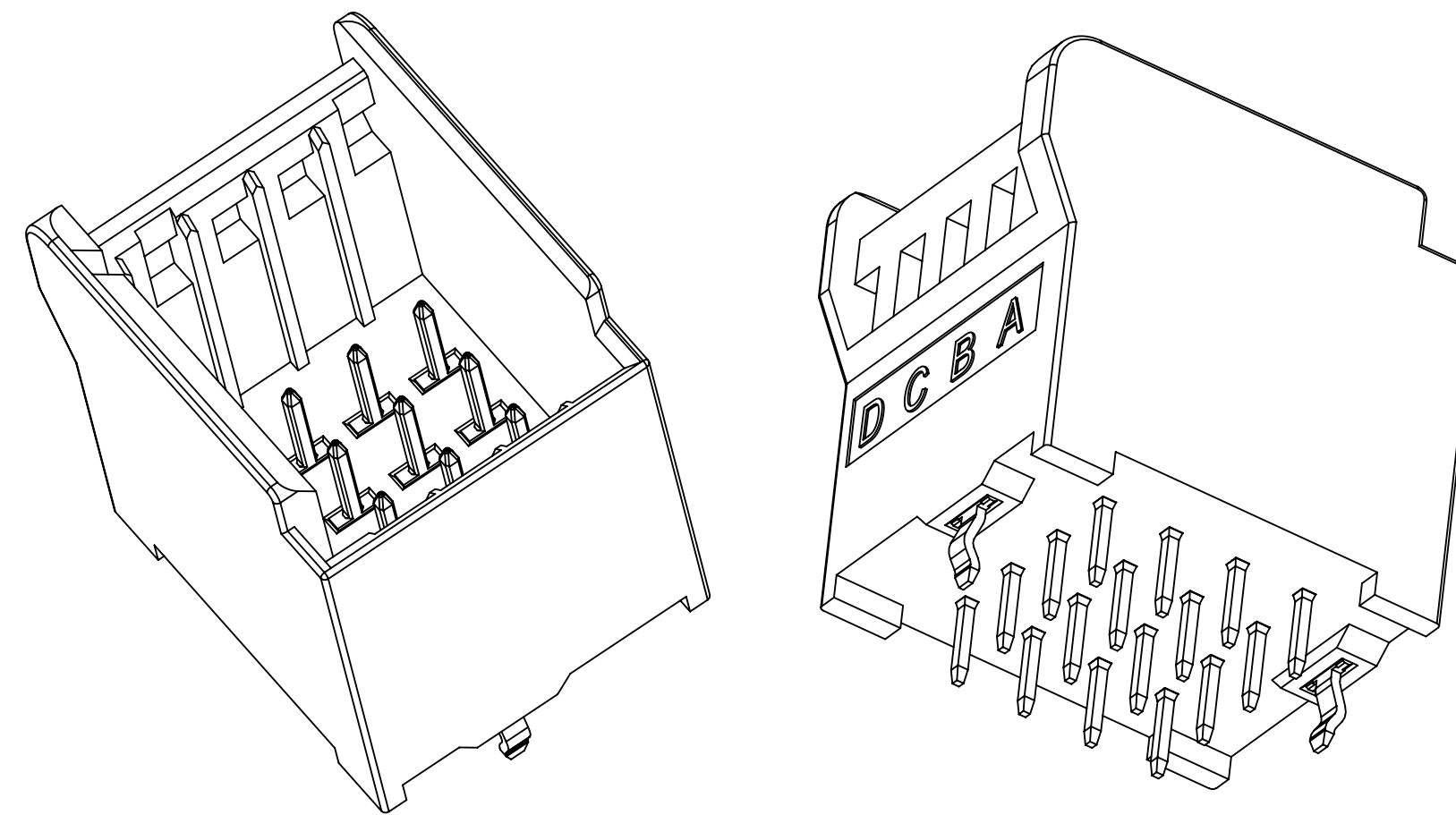
16 POSITION HEADER COMMON TYPE  
3S616-62C4-B00 PP



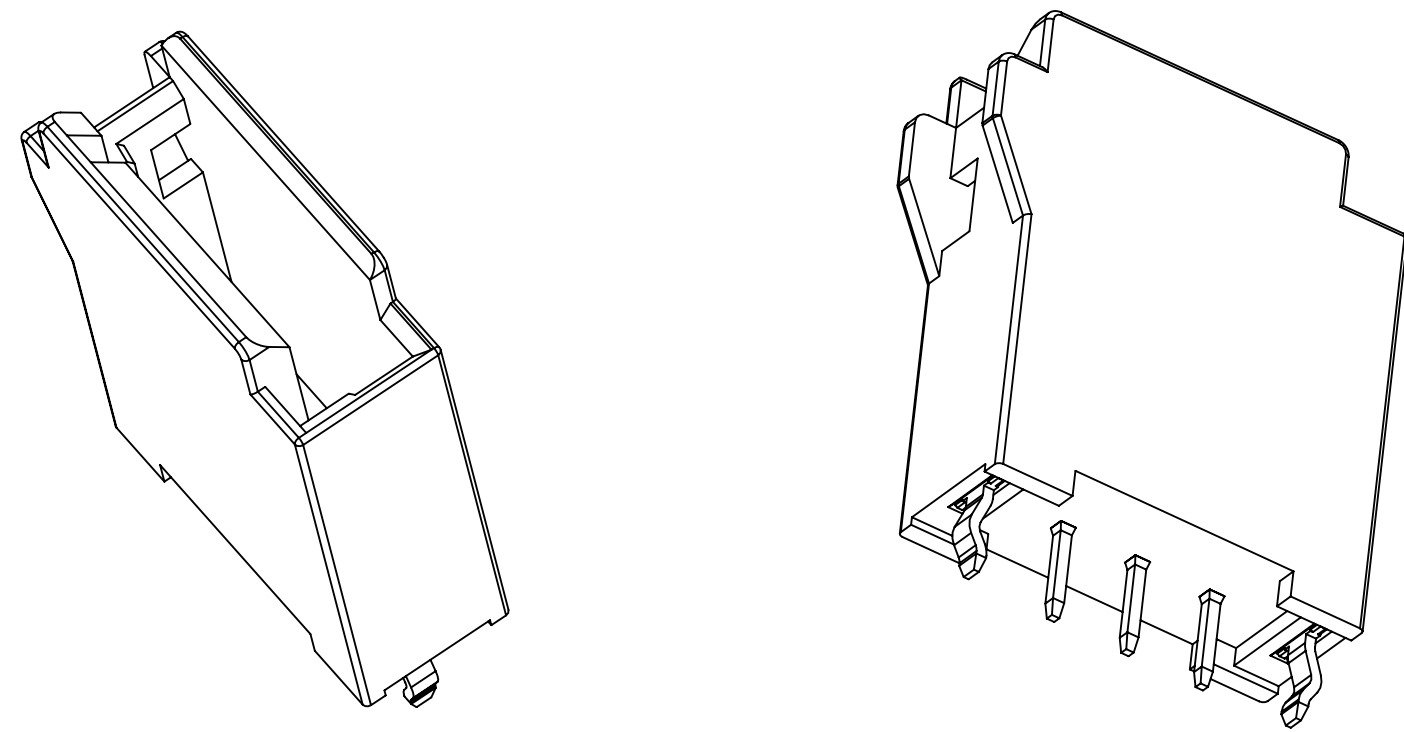
12 POSITION HEADER STACK TYPE  
3S612-62S3-B00 PP



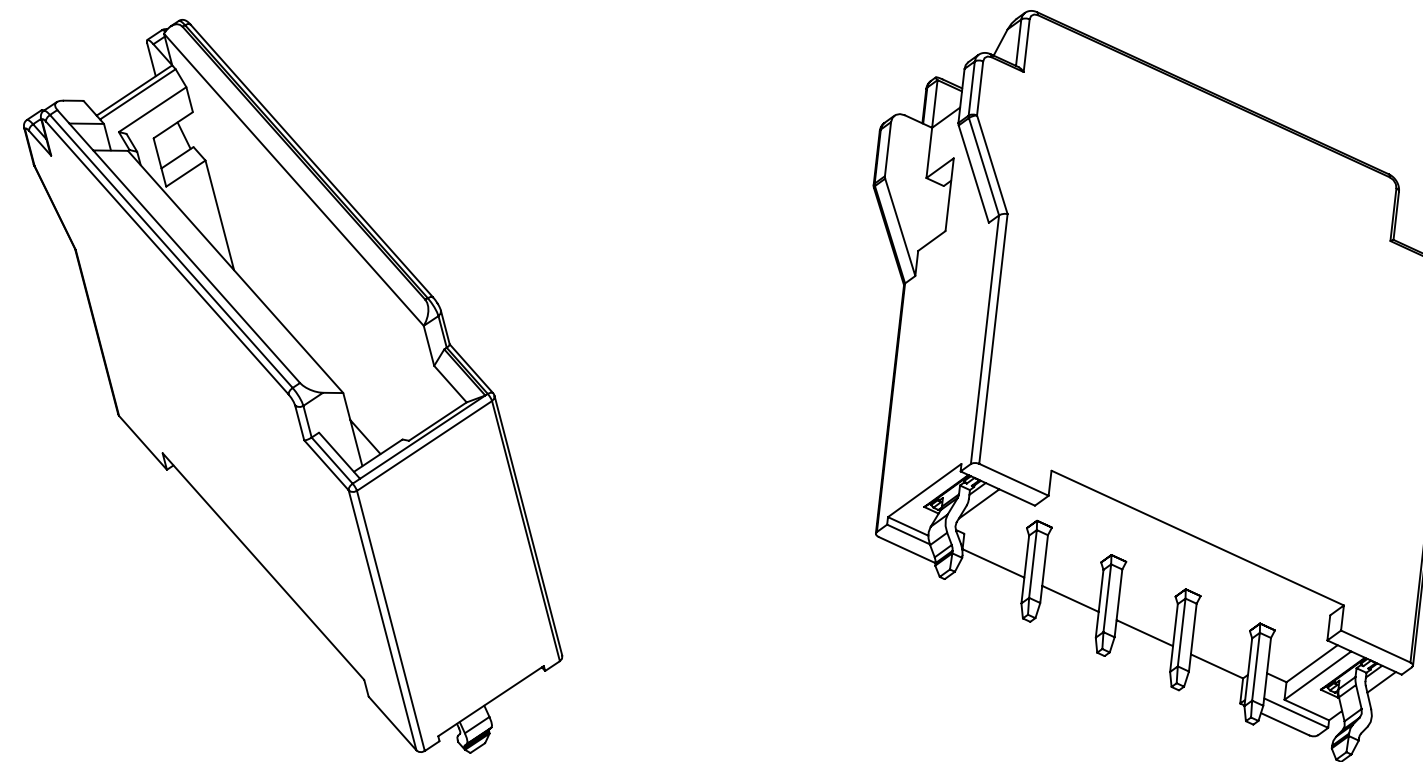
16 POSITION HEADER STACK TYPE  
3S616-62S4-B00 PP



3 POSITION HEADER COMMON TYPE  
3S603-62C3-B00 PP



4 POSITION HEADER COMMON TYPE  
3S604-62C4-B00 PP



- NOTES
- REGULATORY INFORMATION:  
VISIT 3M.com/regs
  - IN THE EVENT OF CONFLICT BETWEEN THIS DATA AND THAT CONTAINED IN THE PRODUCT SPECIFICATION, THE PRODUCT SPECIFICATION TAKES PRECEDENT.
  - REFERENCE PRODUCT SPECIFICATION PS-0363
  - SEE TECH SHEET TS-2725 FOR MATING SOCKETS.

2 PHYSICAL :

INSULATOR:  
MATERIAL: PBT RESIN  
COLOR: BLACK  
CONTACT:  
MATERIAL: COPPER ALLOY  
PLATING:  
UNDER PLATING: NICKEL OVERALL  
WIPING AREA: GOLD  
SOLDER TAILS: TIN  
FIXTURE PINS:  
MATERIAL: COPPER ALLOY  
PLATING: TIN PLATING OVER NICKEL PLATING

2 ELECTRICAL :

VOLTAGE: AC/DC: 32V MAX.  
CURRENT: 2.0A MAX.

2 ENVIRONMENTAL :

TEMPERATURE: -20° C TO 85° C

PCB ACCOMMODATION		
PCB THICKNESS:	1.0 TO 1.6 mm (39 TO 63 mil)	SEE RECOMMENDED HOLE PATTERN

ORDERING INFORMATION

3S6XX-62XX-B00 PP

CONTACT QUANTITY:  
03 = 3 POSITIONS  
04 = 4 POSITIONS  
12 = 12 POSITIONS  
16 = 16 POSITIONS

3 = 3 POSITION WIREMOUNT CONNECTOR  
4 = 4 POSITION WIREMOUNT CONNECTOR

BODY TYPE: \_\_\_\_\_

C = COMMON TYPE:  
FOR WIRE MOUNT SOCKET NON-STACK TYPE AND STACK TYPE

S = STACK TYPE:  
OPTIMIZED FOR WIRE MOUNT SOCKET STACK TYPE

3M ELECTRONICS MATERIALS SOLUTIONS DIVISION  
INTERCONNECT SOLUTIONS  
<http://www.3M.com/interconnect>

3M IS A TRADEMARK OF 3M COMPANY.  
FOR TECHNICAL, SALES OR ORDERING  
INFORMATION CALL 800-225-5373



UL FILE NO : E68080

DESIGN REFERENCE	NEXT ASSEMBLY	REV	ECO	ISSUE DATE AND DESCRIPTION	DRFT	CHKD
		L	SCHMIDT	FEB 02, 2021		
		F	RODRIGUEZ	FEB 05, 2021		

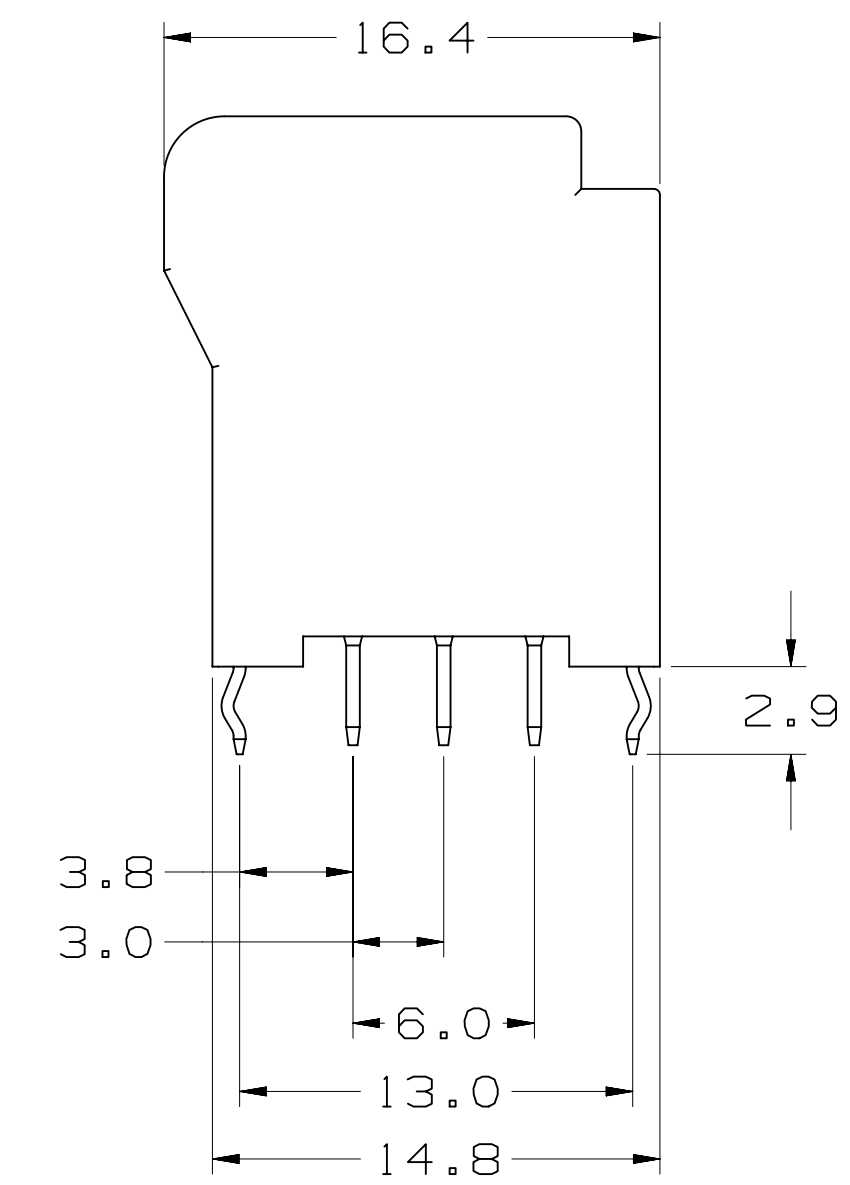
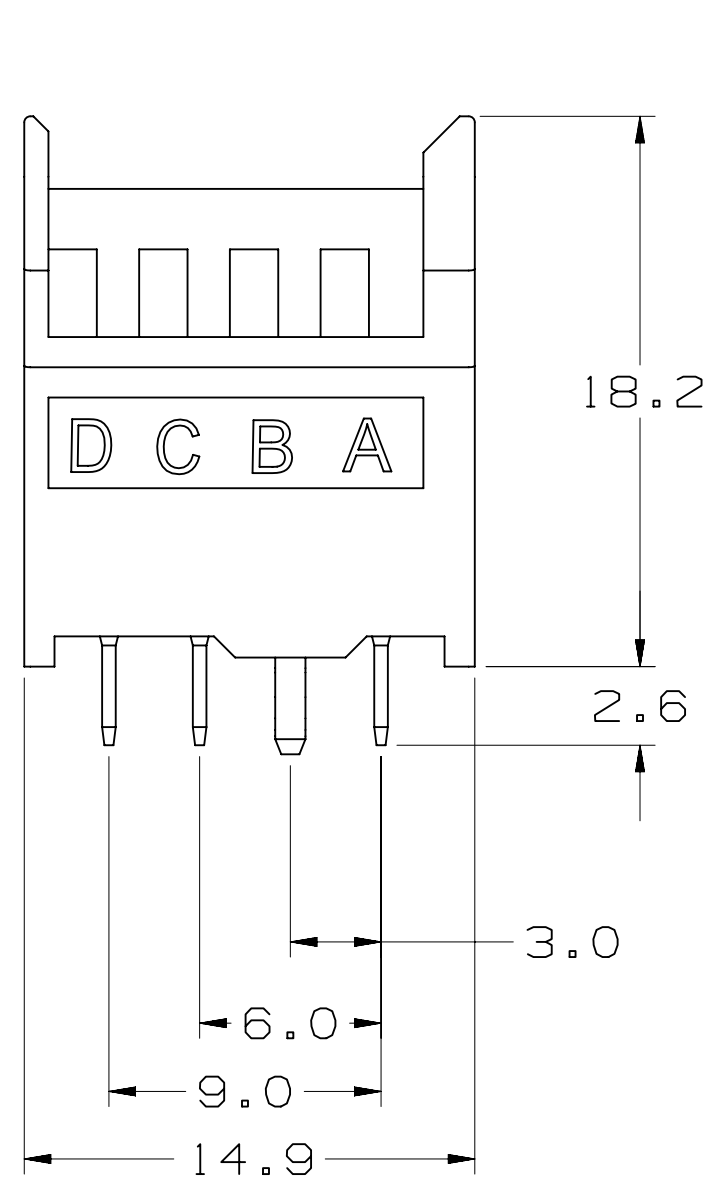
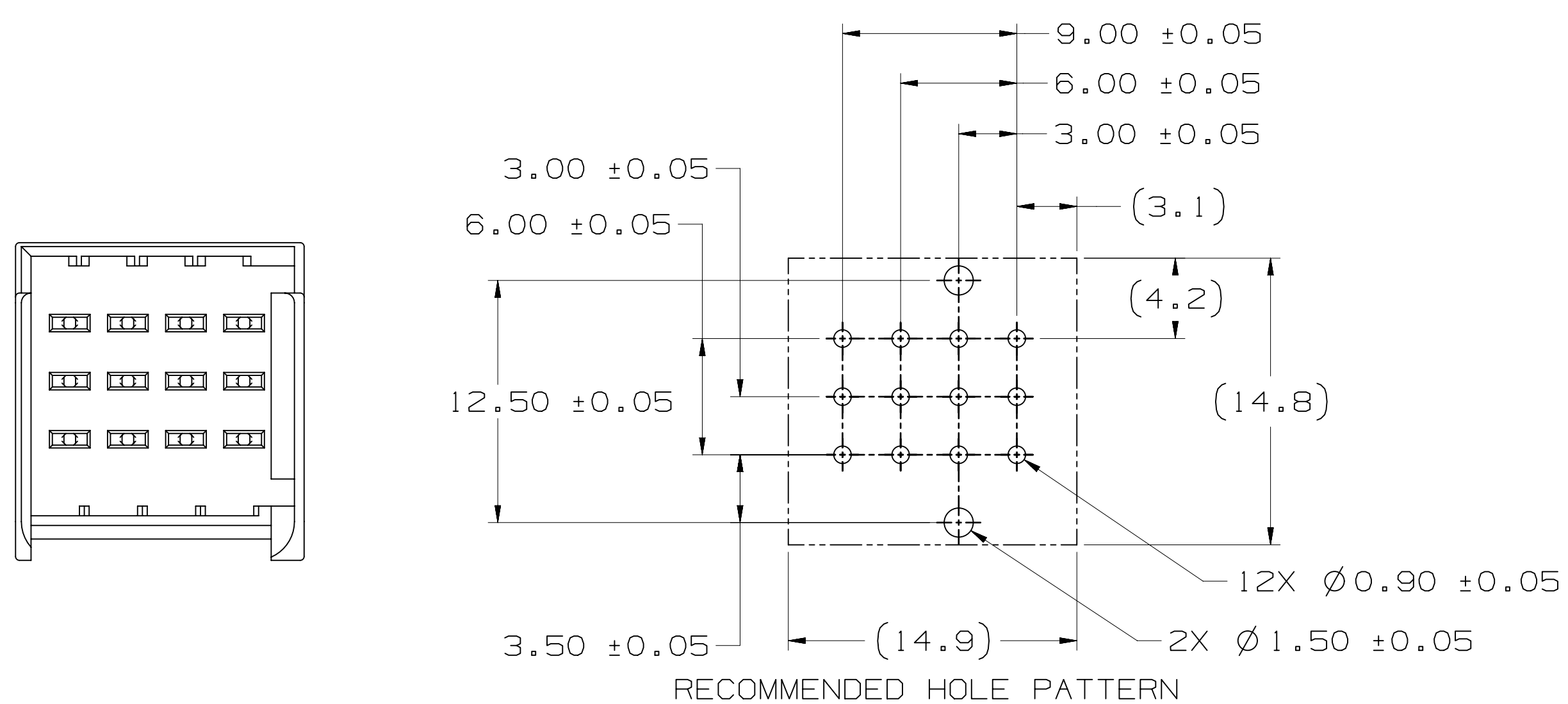
REV	DATE	DESCRIPTION	TH	YK
C	110639	JUN 08, 2023 COMBINED RIGTH ANGLE	TH	YK
B	103668	APR 27, 2022 UPDATE TITLE UPDATE DESCRIPTION ADD COMMON TYPE ADD 3POS AND 4POS	TH	YK
A	95460	FEB 05, 2021 INITIAL RELEASE	LDS	FJR

DO NOT SCALE DRAWING	SCALE FREE	TOLERANCES EXCEPT AS NOTED		<p>3M Center St. Paul, MN 55144</p> <p>© 3M COPYRIGHT 2022 This document and the information it contains are 3M property and may not be reproduced or further distributed without 3M permission, or used or disclosed other than for 3M authorized purposes. All rights reserved.</p>
THIRD ANGLE PROJECTION	INTERPRET PER ASME Y14.5-2019	MILLIMETERS		
MAX SURFACE ROUGHNESS	125	INCHES		
MARKED ONLY				

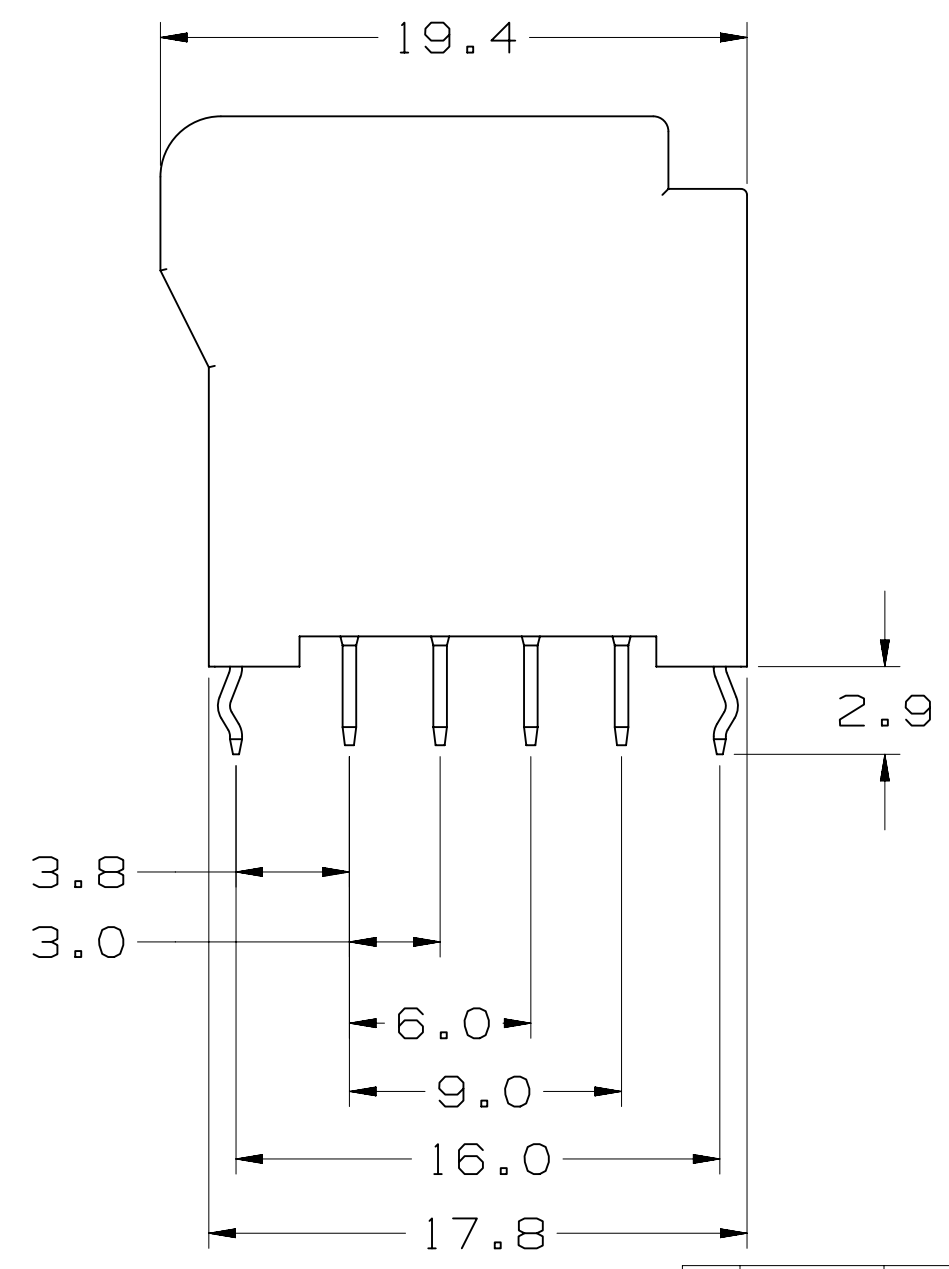
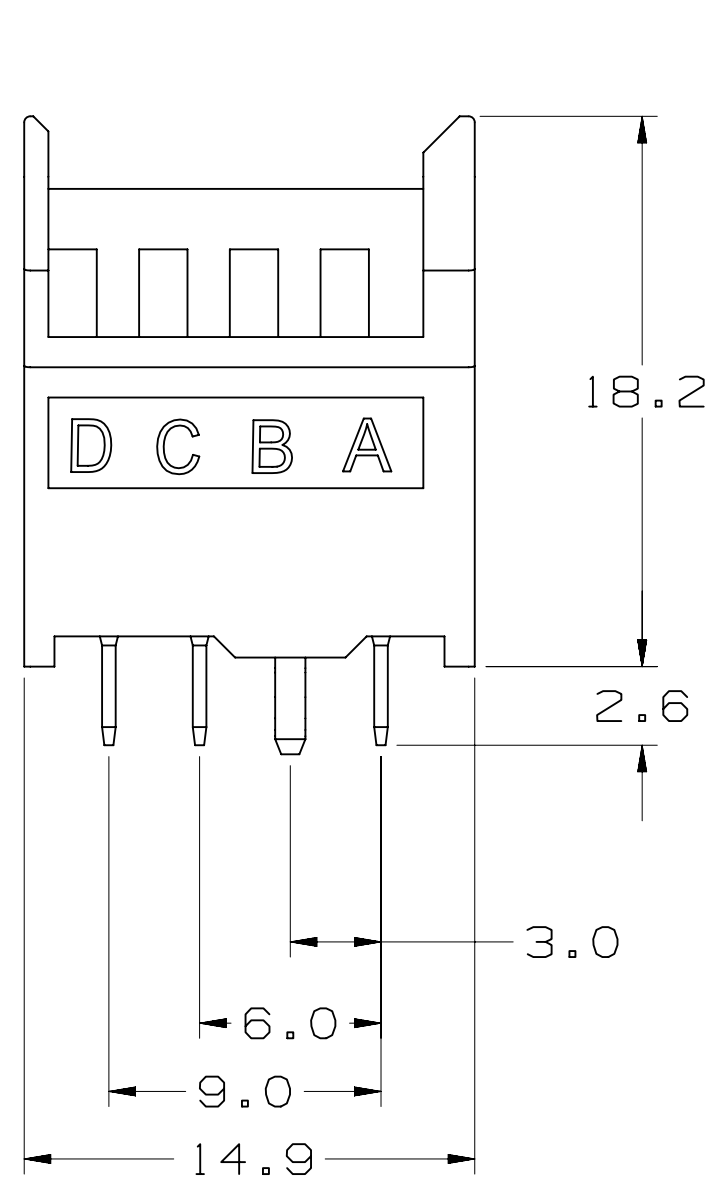
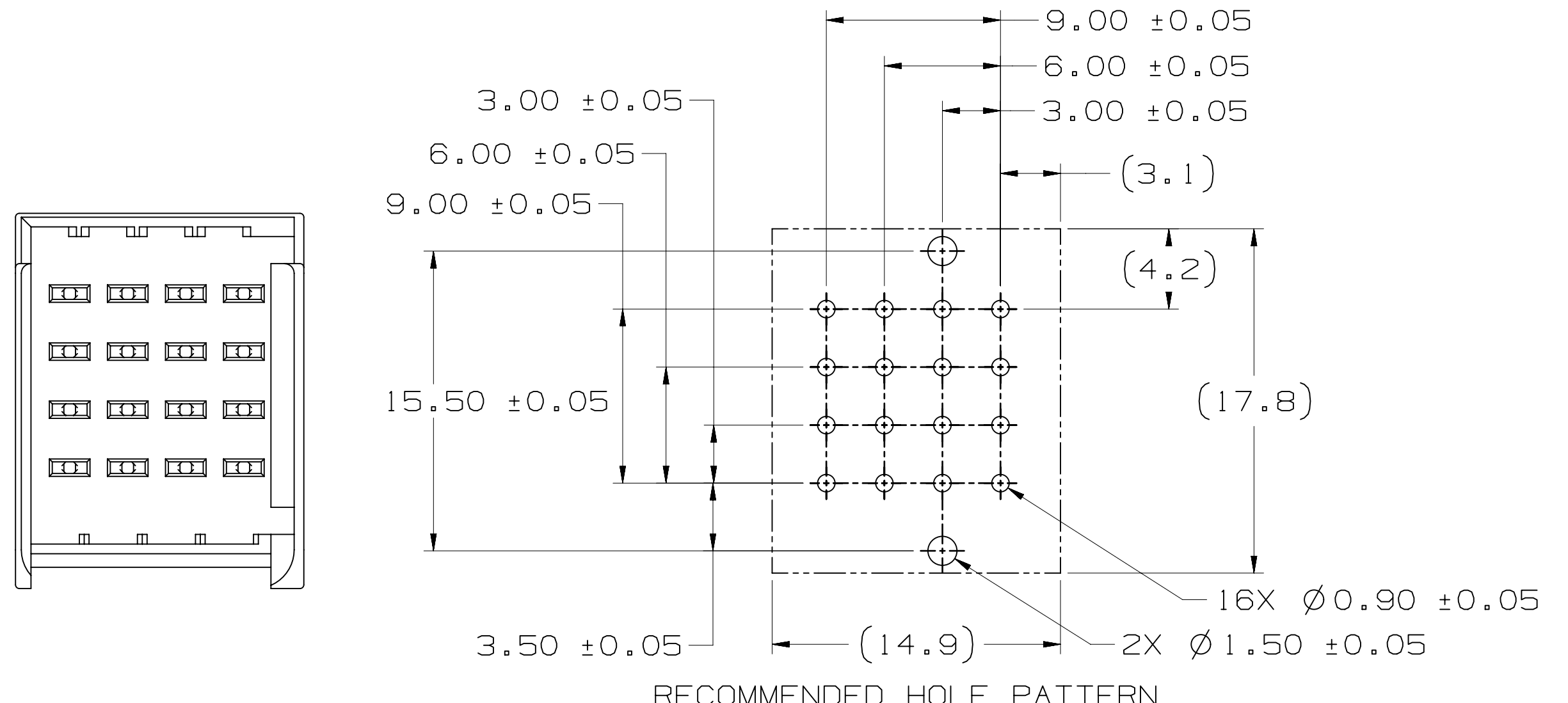
TITLE	MINI STACK CONNECTOR BOARDMOUNT HEADER 3S6XX-X2XX-B00 PP		
CAGE NUMBER	SIZE	DRAWING NO.	REV.
D		78-5100-2726-7	C
MODEL	LISTS		YES <input type="checkbox"/> NO <input checked="" type="checkbox"/> SHT 1 OF 9

3M™ MINI STACK CONNECTOR, BOARDMOUNT HEADER STRAIGHT TYPE  
3S6XX-62XX SERIES

12 POSITION  
3S612-62X3-B00 PP



16 POSITION  
3S616-62X4-B00 PP



D C B A

D C B A

C	110639	JUN 08, 2023	TH	YK
COMBINED RIGTH ANGLE				
B	103668	APR 27, 2022	TH	YK
UPDATE TITLE UPDATE DESCRIPTION ADD COMMON TYPE ADD 3POS AND 4POS				
A	95460	FEB 05, 2021	LDS	FJR
INITIAL RELEASE				

DESIGN REFERENCE	NEXT ASSEMBLY	REV	ECO	ISSUE DATE AND DESCRIPTION	DRFT	CHKD
		L	SCHMIDT	FEB 02, 2021		
DIVISION	DIVISION CODE	DATE	DATE	DATE	DATE	DATE
DO NOT SCALE DRAWING	SCALE FREE	TOLERANCES EXCEPT AS NOTED				
THIRD ANGLE PROJECTION	INTERPRET PER ASME Y14.5-2018	MILLIMETERS	© 3M COPYRIGHT 2022 This document and the information it contains are 3M property and may not be reproduced or further distributed without 3M permission, or used or disclosed other than for 3M authorized purposes. All rights reserved.			
MAX SURFACE ROUGHNESS 125 SURFACES MARKED ONLY	ANGLES ± 1°	TITILE	MINI STACK CONNECTOR BOARDMOUNT HEADER 3S6XX-X2XX-B00 PP			
		CAGE NUMBER	SIZE	DRAWING NO.	REV.	
		D	78-5100-2726-7	C		
		MODEL	LISTS	YES	NO	SHT 2 OF 9



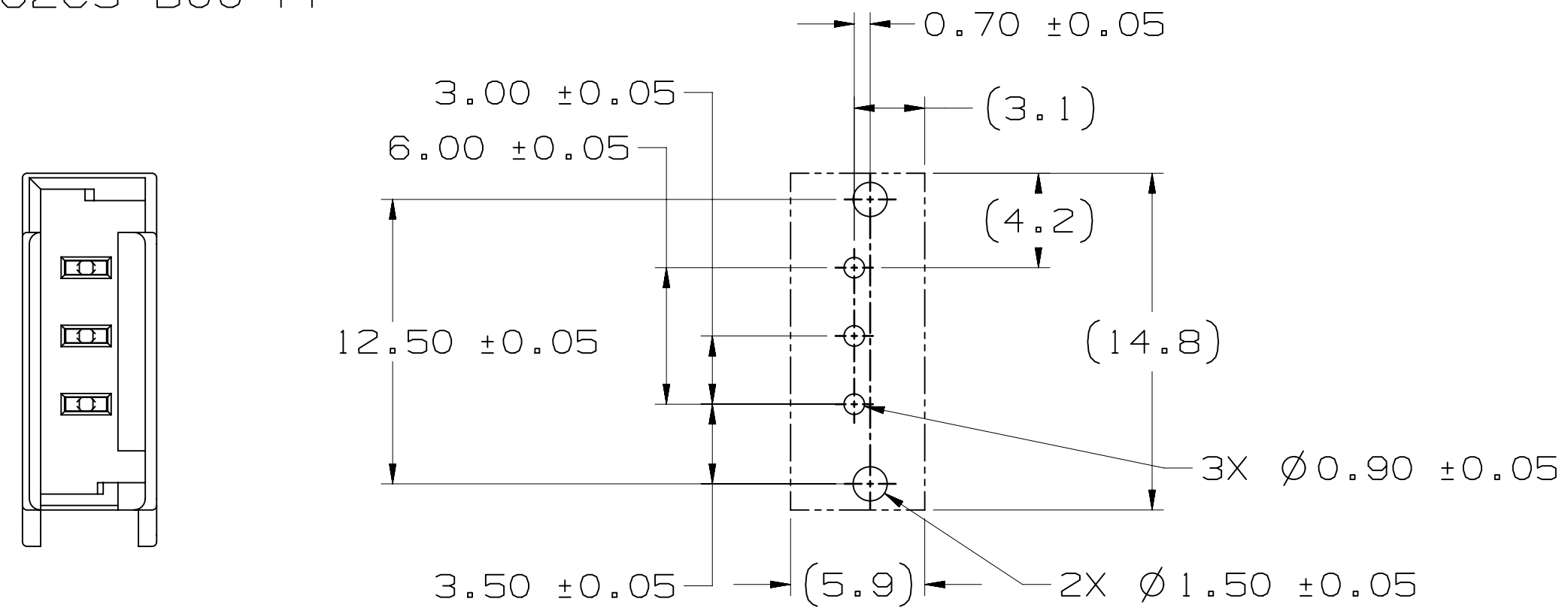
UL FILE NO : E68080

78-5100-2726-7  
DRAWING NUMBER

A

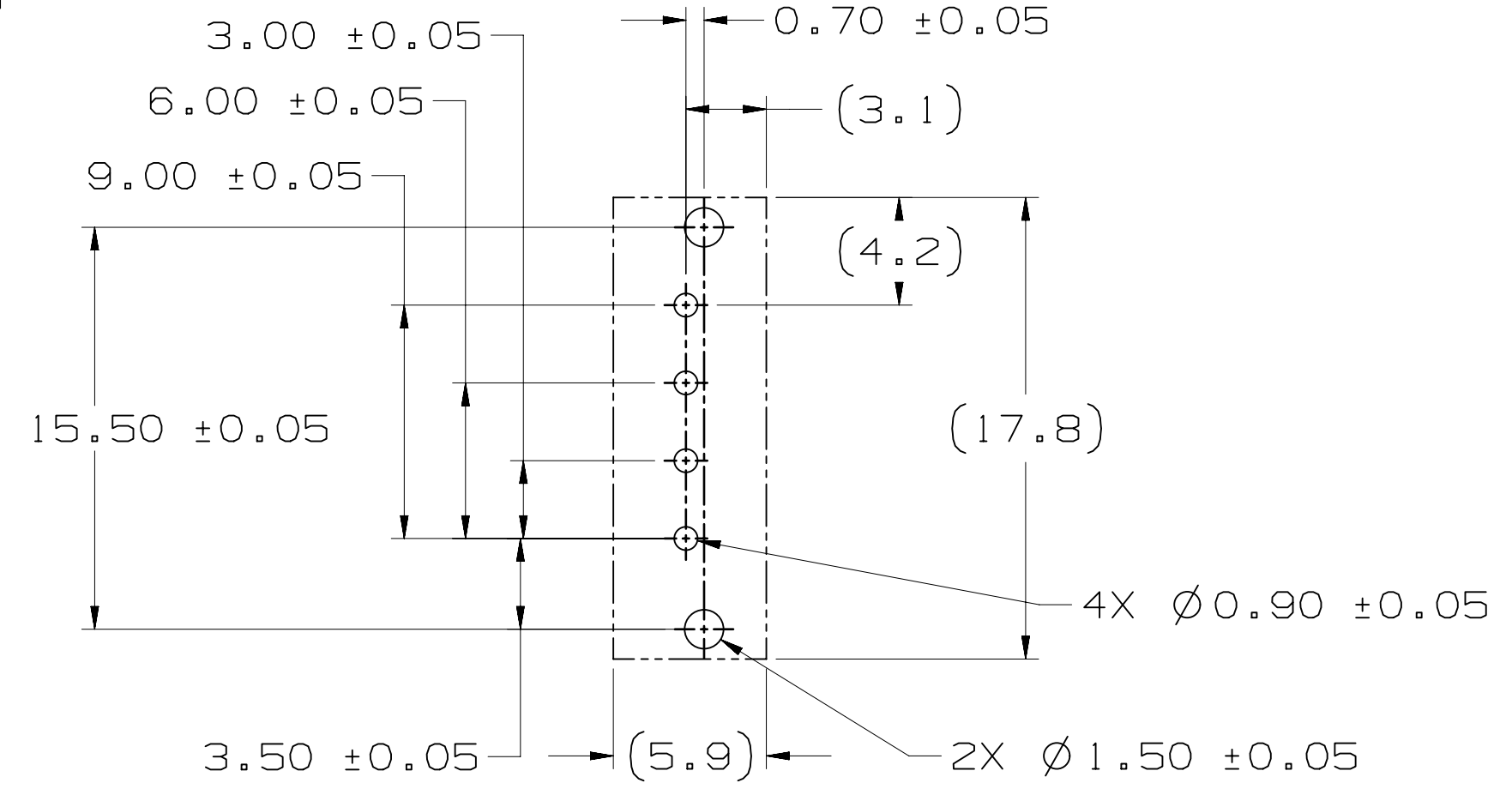
3M™ MINI STACK CONNECTOR, BOARDMOUNT HEADER STRAIGHT TYPE  
3S6XX-62XX SERIES

3 POSITION  
3S603-62C3-B00 PP

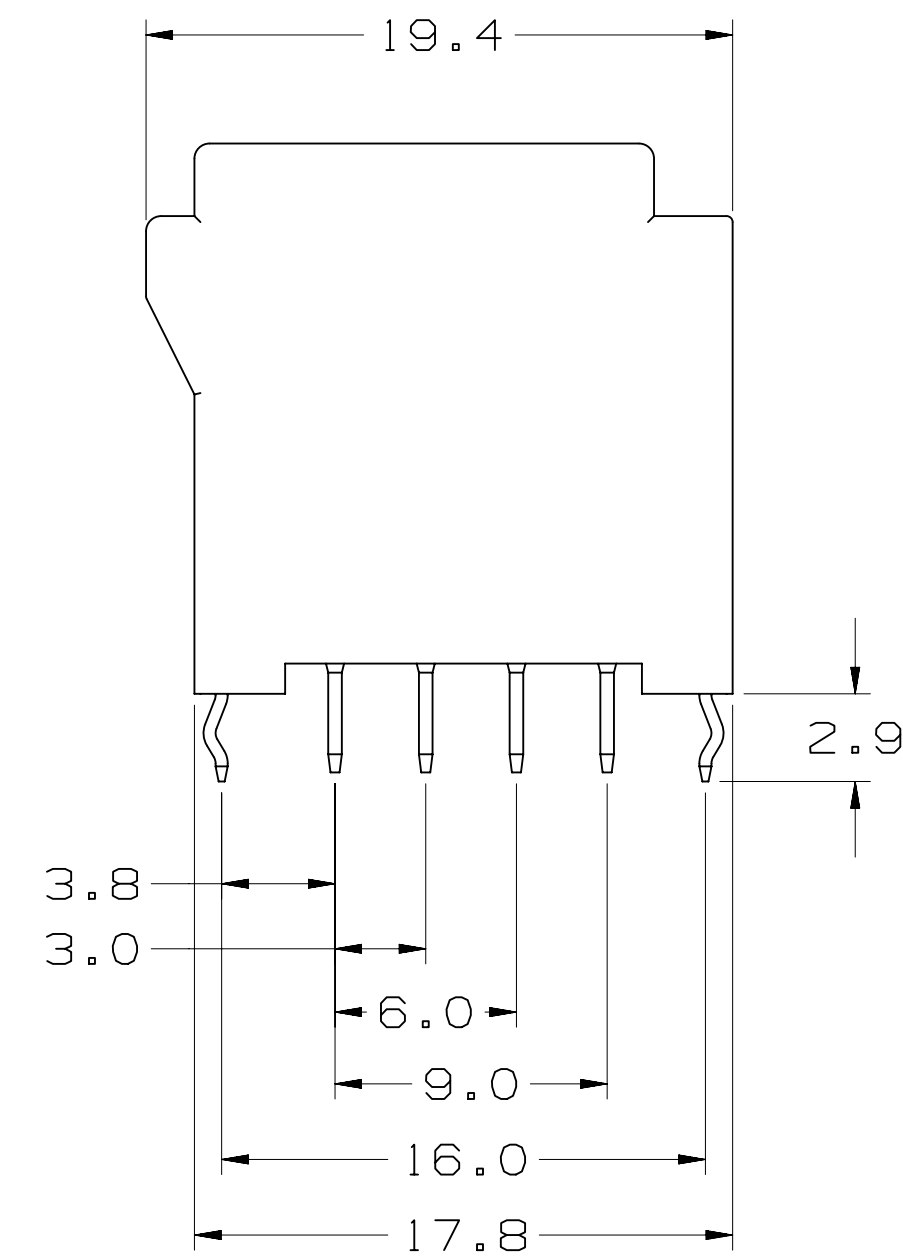
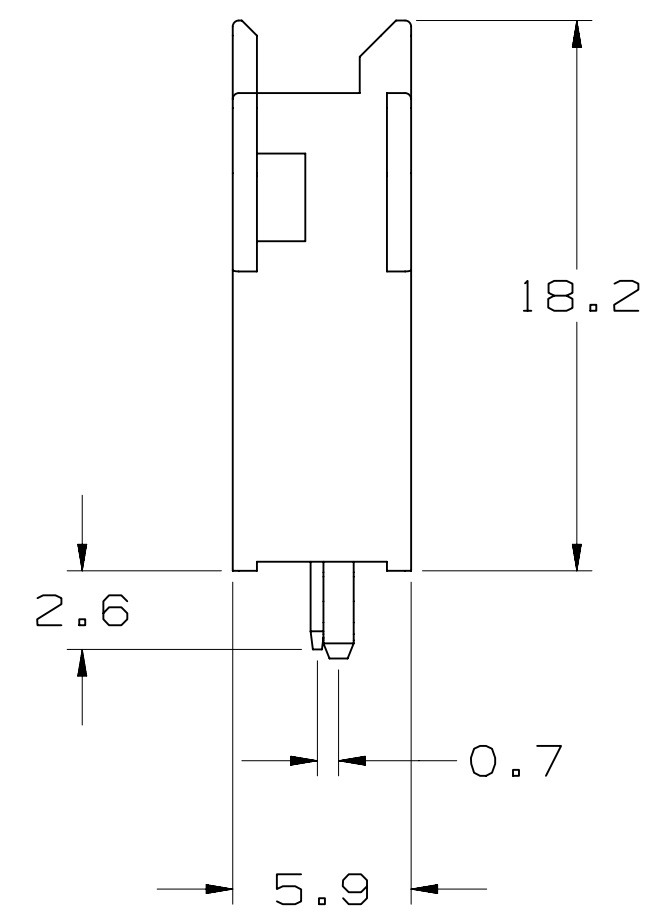
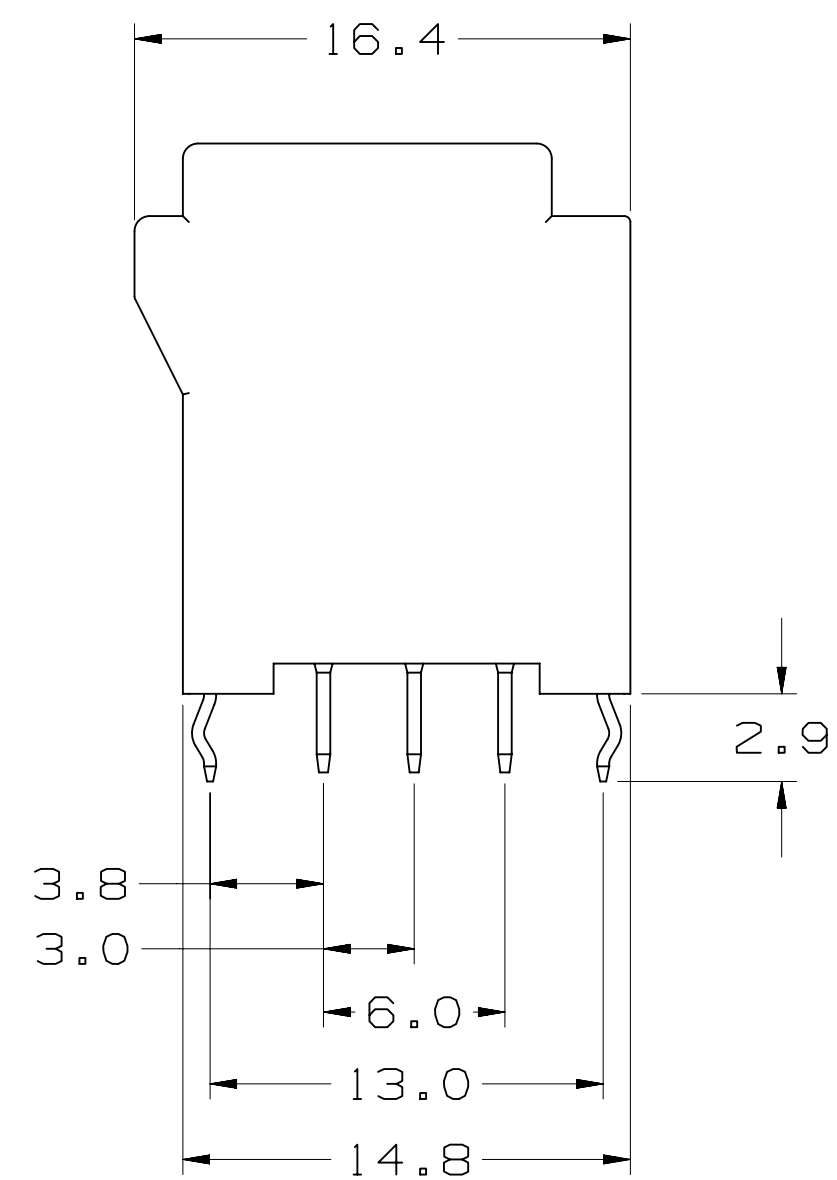
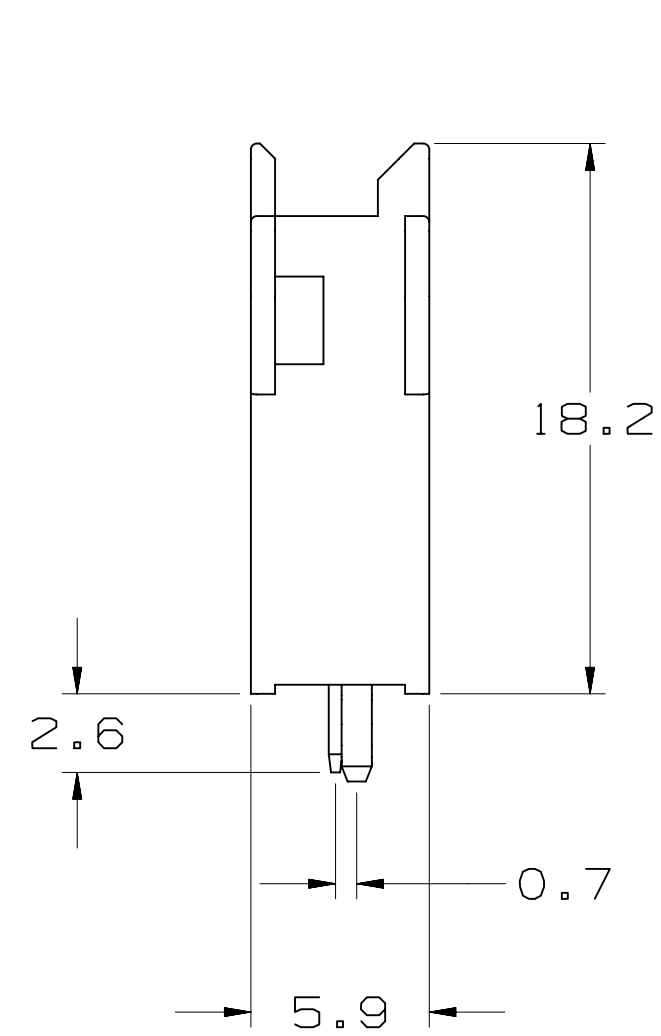


RECOMMENDED HOLE PATTERN

4 POSITION  
3S604-62C4-B00 PP



RECOMMENDED HOLE PATTERN



REV	ECO	ISSUE DATE AND DESCRIPTION	DRFT	CHKD
C	110639	JUN 08, 2023 COMBINED RIGTH ANGLE	TH	YK
B	103668	APR 27, 2022 UPDATE TITLE UPDATE DESCRIPTION ADD COMMON TYPE ADD 3POS AND 4POS	TH	YK
A	95460	FEB 05, 2021 INITIAL RELEASE	LDS	FJR

DESIGN REFERENCE	NEXT ASSEMBLY	REV	ECO	ISSUE DATE AND DESCRIPTION	DRFT	CHKD
				FEB 02, 2021		
DIVISION	DIVISION CODE	APPR	DATE	DATE	DATE	DATE
		F RODRIGUEZ	FEB 02, 2021	FEB 05, 2021		
DO NOT SCALE DRAWING	SCALE FREE	TOLERANCES EXCEPT AS NOTED				
THIRD ANGLE PROJECTION	INTERPRET PER ASME Y14.5-2018	INCHES	© 3M COPYRIGHT 2022 This document and the information it contains are 3M property and may not be reproduced or further distributed without 3M permission, or used or disclosed other than for 3M authorized purposes. All rights reserved.			
MAX SURFACE ROUGHNESS 125	MARKED SURFACES ONLY	MILLIMETERS	MINI STACK CONNECTOR BOARDMOUNT HEADER 3S6XX-X2XX-B00 PP			
			CAGE NUMBER	SIZE	DRAWING NO.	REV.
			D		78-5100-2726-7	C
			MODEL	LISTS	YES	NO
					SHT	3 OF 9



UL FILE NO : E68080

DRAWING NUMBER 78-5100-2726-7

REVISION

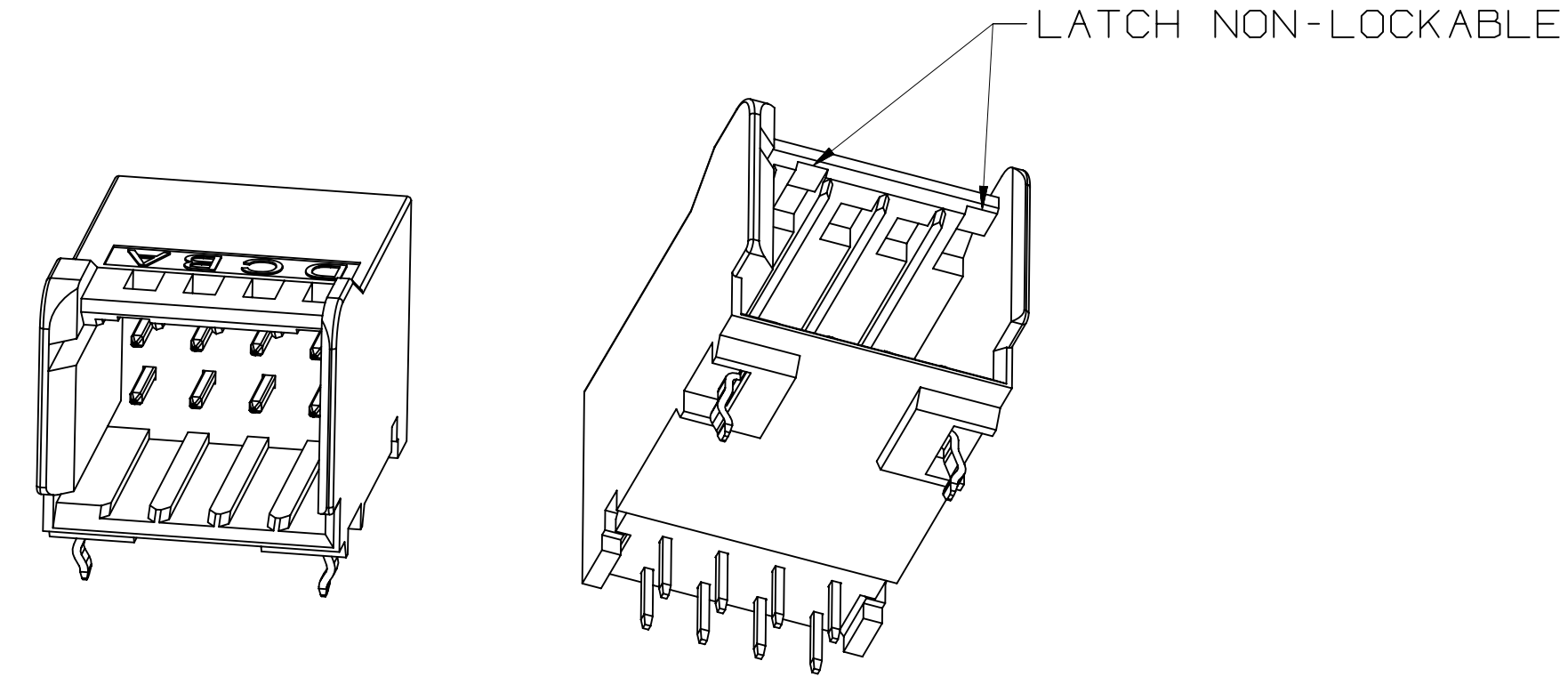
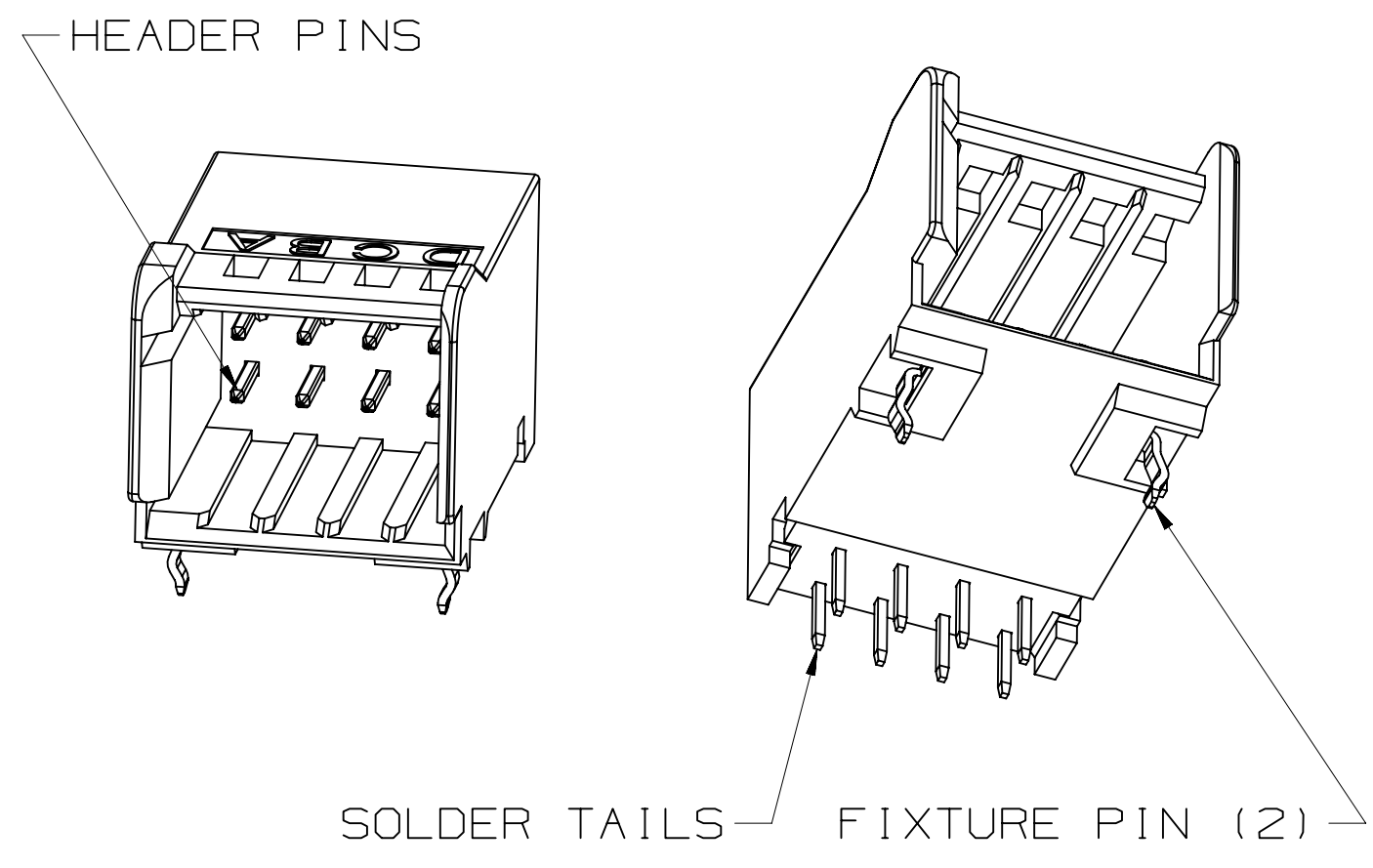
3M™ MINI STACK CONNECTOR, BOARDMOUNT HEADER RIGHT ANGLE TYPE  
3S6XX-42XX SERIES

NOTES

- REGULATORY INFORMATION:  
VISIT 3M.com/regs
- IN THE EVENT OF CONFLICT BETWEEN THIS DATA AND THAT CONTAINED IN THE PRODUCT SPECIFICATION, THE PRODUCT SPECIFICATION TAKES PRECEDENT.
- REFERENCE PRODUCT SPECIFICATION PS-0402
- SEE TECH SHEET TS-2725 FOR MATING SOCKETS.

8 POSITION HEADER COMMON TYPE  
3S608-42C2-B00 PP

8 POSITION HEADER STACK TYPE  
3S608-42S2-B00 PP



2 PHYSICAL :

INSULATOR: PBT RESIN  
MATERIAL: PBT RESIN  
COLOR: BLACK  
CONTACT: COPPER ALLOY  
MATERIAL: COPPER ALLOY  
PLATING: TIN PLATING OVER NICKEL PLATING  
UNDER PLATING: NICKEL OVERALL  
WIPING AREA: GOLD  
SOLDER TAILS: TIN  
FIXTURE PINS: COPPER ALLOY  
PLATING: TIN PLATING OVER NICKEL PLATING

2 ELECTRICAL :

VOLTAGE: AC/DC: 32V MAX.  
CURRENT: 2.0A MAX.

2 ENVIRONMENTAL :

TEMPERATURE: -20° C TO 85° C

PCB ACCOMMODATION		
PCB THICKNESS:	1.0 TO 1.6 mm (39 TO 63 mil)	SEE RECOMMENDED HOLE PATTERN

ORDERING INFORMATION

3S6XX-42XX-B00 PP

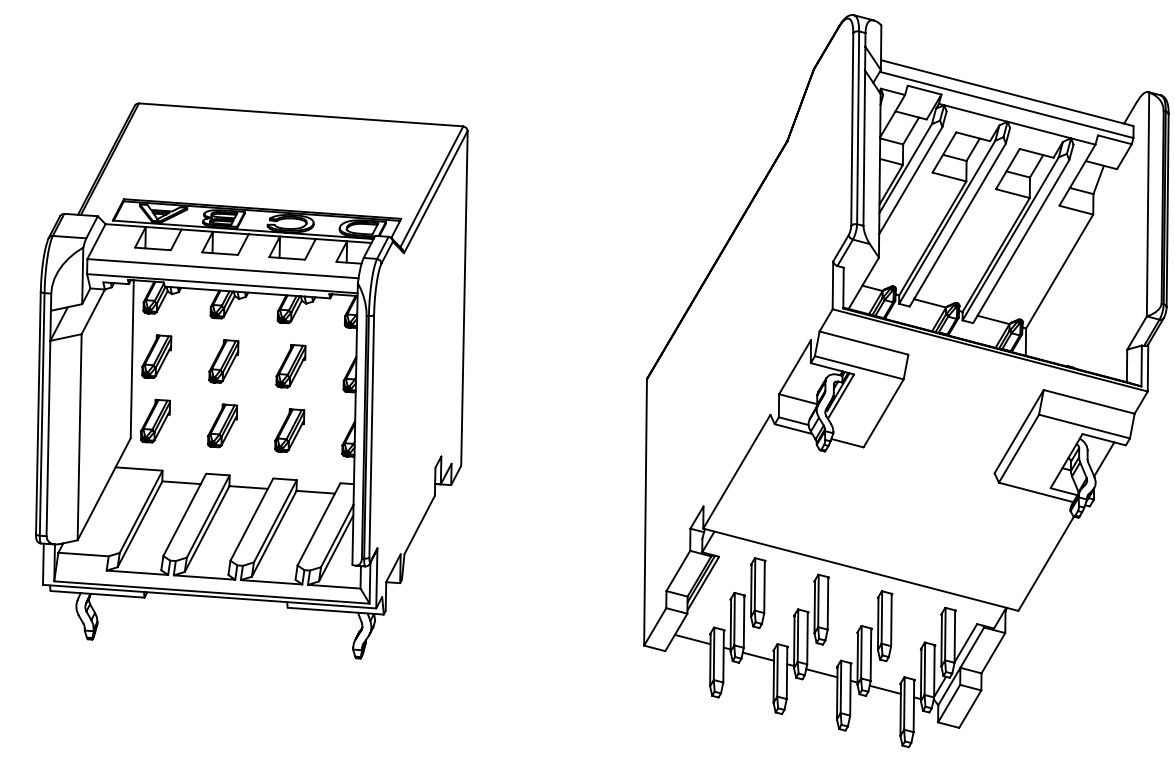
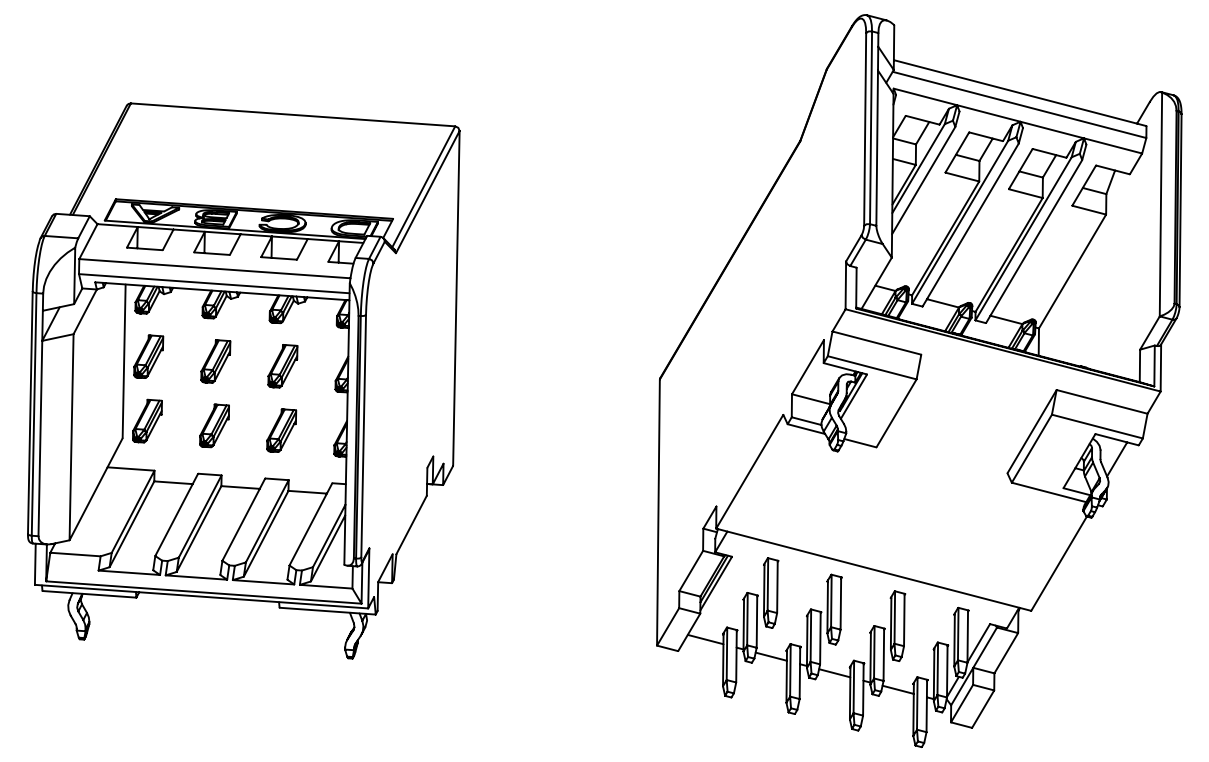
CONTACT QUANTITY: 2 = 2 POSITION WIREMOUNT CONNECTOR  
06 = 06 POSITIONS 3 = 3 POSITION WIREMOUNT CONNECTOR  
08 = 08 POSITIONS 4 = 4 POSITION WIREMOUNT CONNECTOR  
12 = 12 POSITIONS  
16 = 16 POSITIONS

BODY TYPE: C = COMMON TYPE: FOR WIRE MOUNT SOCKET NON-STACK TYPE AND STACK TYPE  
S = STACK TYPE: OPTIMIZED FOR WIRE MOUNT SOCKET STACK TYPE

\*6 POSITION IS ONLY AVAILABLE WITH COMMON TYPE AND 3-4 POSITION WIREMOUNT CONNECTORS

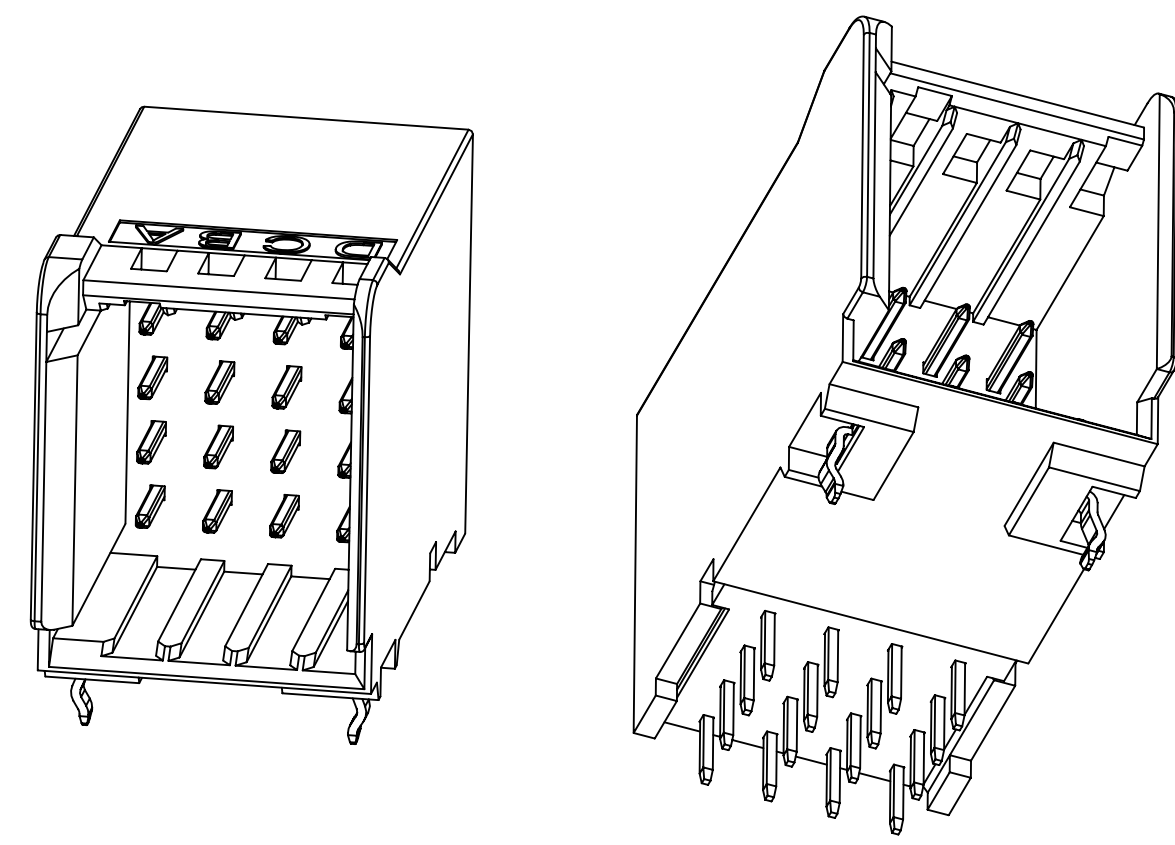
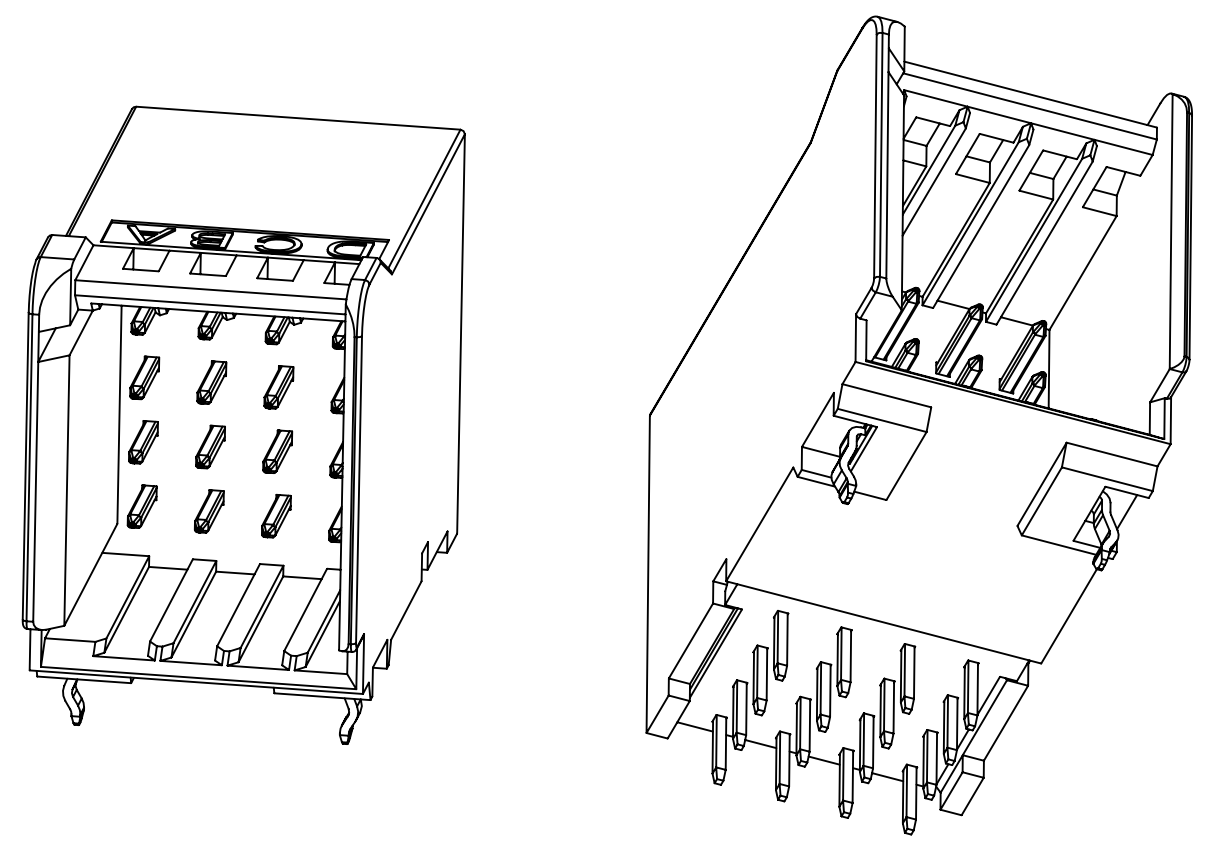
12 POSITION HEADER COMMON TYPE  
3S612-42C3-B00 PP

12 POSITION HEADER STACK TYPE  
3S612-42S3-B00 PP



16 POSITION HEADER COMMON TYPE  
3S616-42C4-B00 PP

16 POSITION HEADER STACK TYPE  
3S616-42S4-B00 PP



3M ELECTRONICS MATERIALS SOLUTIONS DIVISION  
INTERCONNECT SOLUTIONS  
<http://www.3M.com/interconnect>

3M IS A TRADEMARK OF 3M COMPANY.  
FOR TECHNICAL, SALES OR ORDERING  
INFORMATION CALL 800-225-5373



UL FILE NO : E68080

REV	ECO	ISSUE DATE AND DESCRIPTION	DRFT	CHKD
C	110639	JUN 08, 2023 COMBINED RIGHT ANGLE	TH	YK
B	103668	APR 27, 2022 UPDATE TITLE UPDATE DESCRIPTION ADD COMMON TYPE ADD 3POS AND 4POS	TH	YK
A	95460	FEB 05, 2021 INITIAL RELEASE	LDS	FJR

DESIGN REFERENCE	NEXT ASSEMBLY	REV	ECO	ISSUE DATE AND DESCRIPTION	DRFT	CHKD
		L	SCHMIDT	FEB 02, 2021		

DO NOT SCALE DRAWING	SCALE FREE	TOLERANCES EXCEPT AS NOTED
		INCHES .00 ± .000 ± .0000 ±
		MILLIMETERS 0 ±.2 .0 ±.13 .000 ±.005

THIRD ANGLE PROJECTION	INTERPRET PER ASME Y14.5-2018	MAX SURFACE ROUGHNESS
		125 SURFACES MARKED ONLY

TITLE	CAGE NUMBER	SIZE	DRAWING NO.	REV.
MINI STACK CONNECTOR BOARDMOUNT HEADER 3S6XX-X2XX-B00 PP	D		78-5100-2726-7	C

78-5100-2726-7  
DRAWING NUMBER

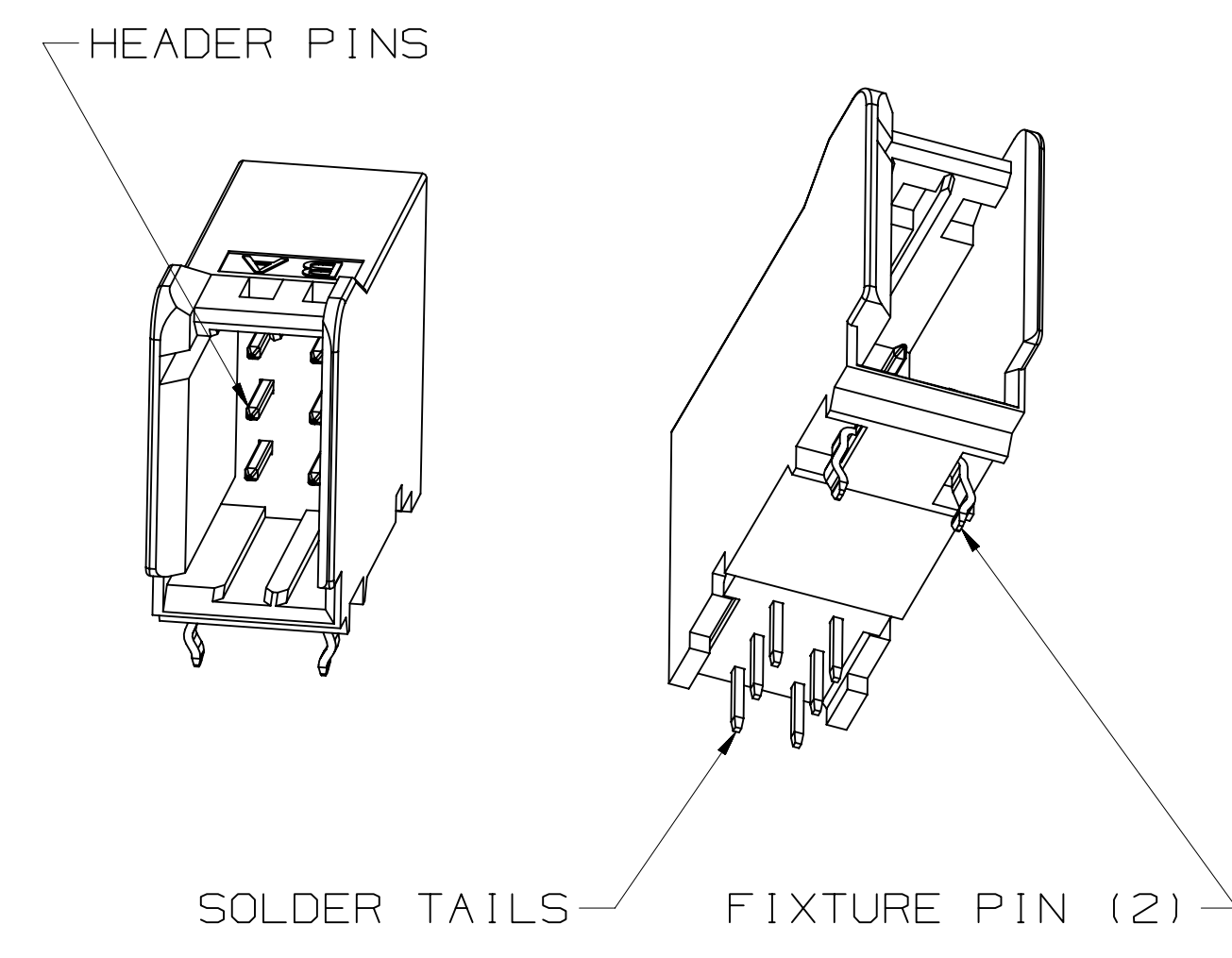
A

SHT 4 OF 9

3M™ MINI STACK CONNECTOR, BOARDMOUNT HEADER RIGHT ANGLE TYPE  
3S6XX-42XX SERIES

- NOTES
- REGULATORY INFORMATION:  
VISIT 3M.com/regs
  - IN THE EVENT OF CONFLICT BETWEEN THIS DATA AND THAT CONTAINED IN THE PRODUCT SPECIFICATION, THE PRODUCT SPECIFICATION TAKES PRECEDENT.
  - REFERENCE PRODUCT SPECIFICATION PS-0402
  - SEE TECH SHEET TS-2725 FOR MATING SOCKETS.

6 POSITION HEADER COMMON TYPE  
3S606-42C3-B00 PP



**2** PHYSICAL :

INSULATOR:  
MATERIAL: PBT RESIN  
COLOR: BLACK  
CONTACT:  
MATERIAL: COPPER ALLOY  
PLATING:  
UNDER PLATING: NICKEL OVERALL  
WIPING AREA: GOLD  
SOLDER TAILS: TIN  
FIXTURE PINS:  
MATERIAL: COPPER ALLOY  
PLATING: TIN PLATING OVER NICKEL PLATING

**2** ELECTRICAL :

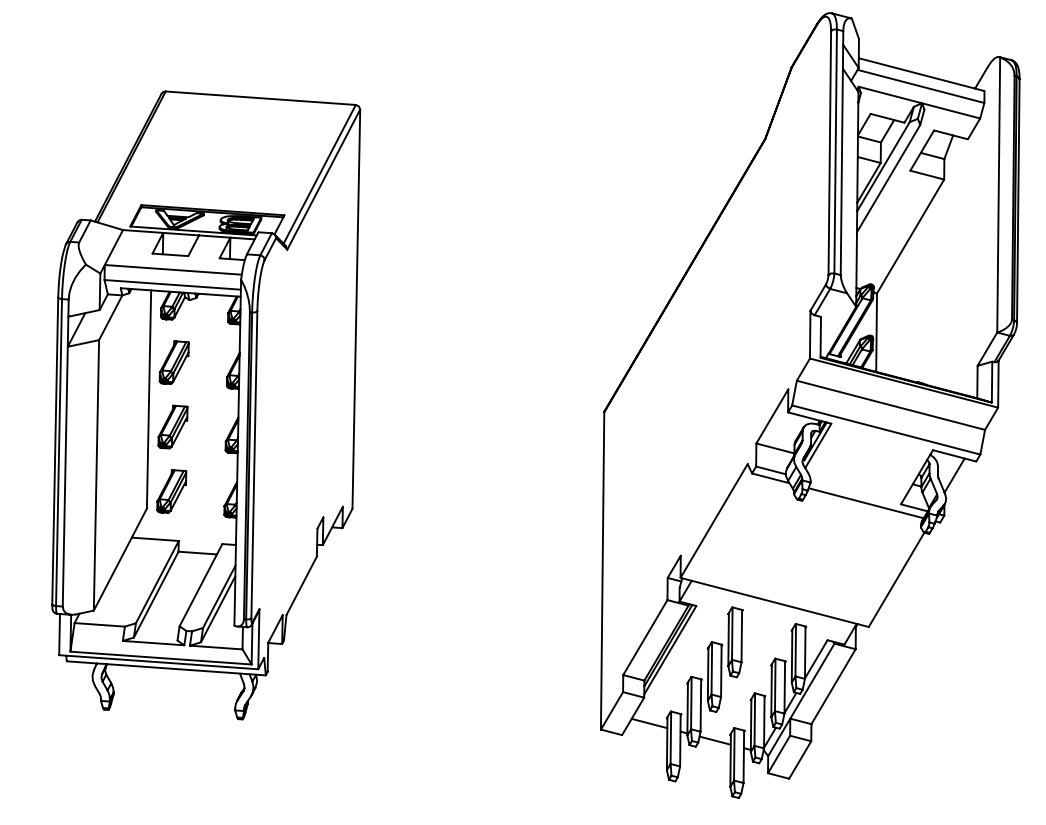
VOLTAGE: AC/DC: 32V MAX.  
CURRENT: 2.0A MAX.

**2** ENVIRONMENTAL :

TEMPERATURE: -20° C TO 85° C

PCB ACCOMMODATION		
PCB THICKNESS:	1.0 TO 1.6 mm (39 TO 63 mil)	SEE RECOMMENDED HOLE PATTERN

8 POSITION HEADER COMMON TYPE  
3S608-42C4-B00 PP



REV	ECO	ISSUE DATE AND DESCRIPTION	DRFT	CHKD
C	110639	JUN 08, 2023 COMBINED RIGTH ANGLE	TH	YK
B	103668	APR 27, 2022 UPDATE TITLE UPDATE DESCRIPTION ADD COMMON TYPE ADD 3POS AND 4POS	TH	YK
A	95460	FEB 05, 2021 INITIAL RELEASE	LDS	FJR

3M ELECTRONICS MATERIALS SOLUTIONS DIVISION  
INTERCONNECT SOLUTIONS  
<http://www.3M.com/interconnect>  
3M IS A TRADEMARK OF 3M COMPANY.  
FOR TECHNICAL, SALES OR ORDERING  
INFORMATION CALL 800-225-5373

**3M** **UL** **US**  
UL FILE NO : E68080

DESIGN REFERENCE	NEXT ASSEMBLY	REV	ECO	ISSUE DATE AND DESCRIPTION	DRFT	CHKD
		L	SCHMIDT	FEB 02, 2021		
DIVISION	DIVISION CODE	APPRV	F	RODRIGUEZ	DATE	FEB 05, 2021
DO NOT SCALE DRAWING	SCALE FREE	TOLERANCES EXCEPT AS NOTED				
THIRD ANGLE PROJECTION	INTERPRET PER ASME Y14.5-2018	MILLIMETERS				
MAX SURFACE ROUGHNESS 125	TEXT SURFACES	INCHES				
		TITLE	MINI STACK CONNECTOR BOARDMOUNT HEADER 3S6XX-X2XX-B00 PP			
		CAGE NUMBER	SIZE	DRAWING NO.	REV.	
		D		78-5100-2726-7	C	
		MODEL	DET: [ ] IS1s [ ] YES [ ] NO [ ] SHT 5 OF 9			

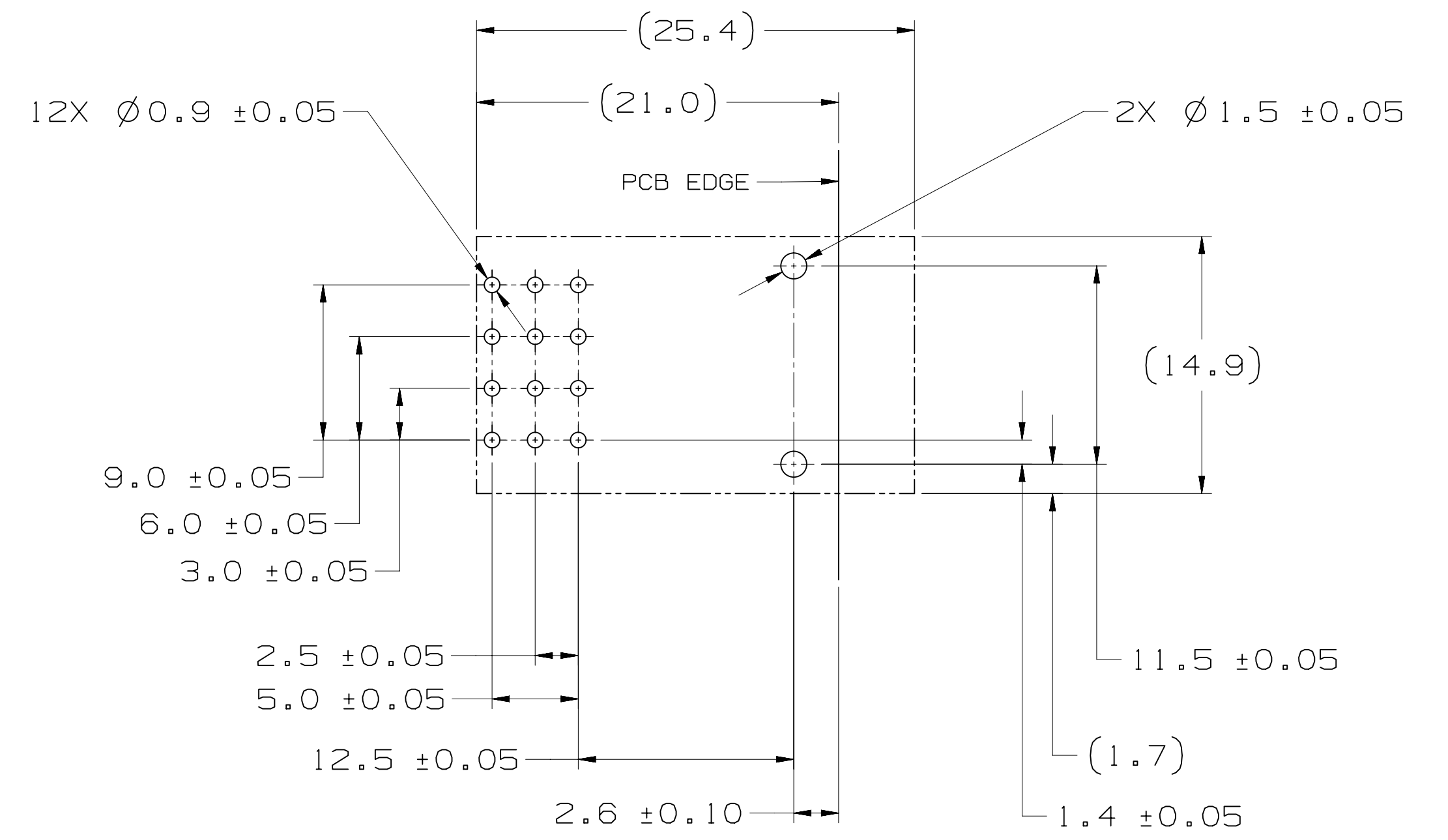
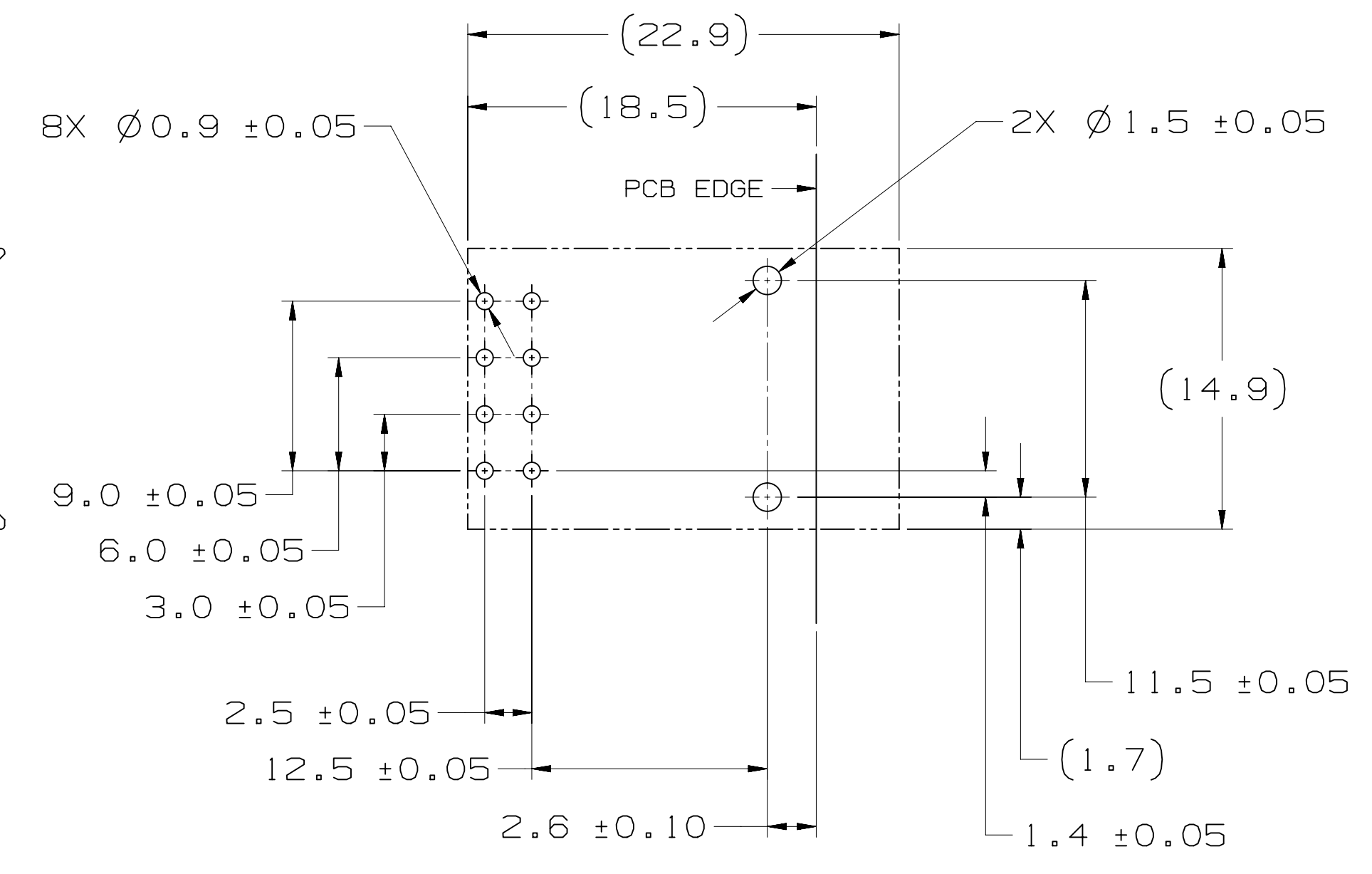
78-5100-2726-7  
DRAWING NUMBER

A

3M™ MINI STACK CONNECTOR, BOARDMOUNT HEADER RIGHT ANGLE TYPE  
3S6XX-42XX SERIES

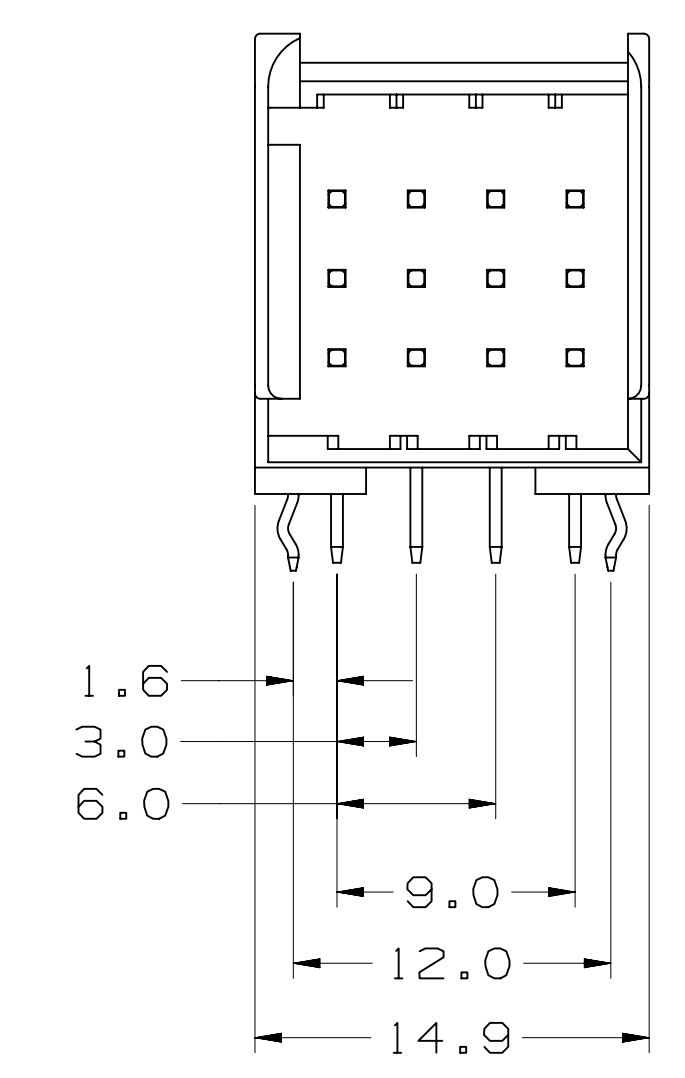
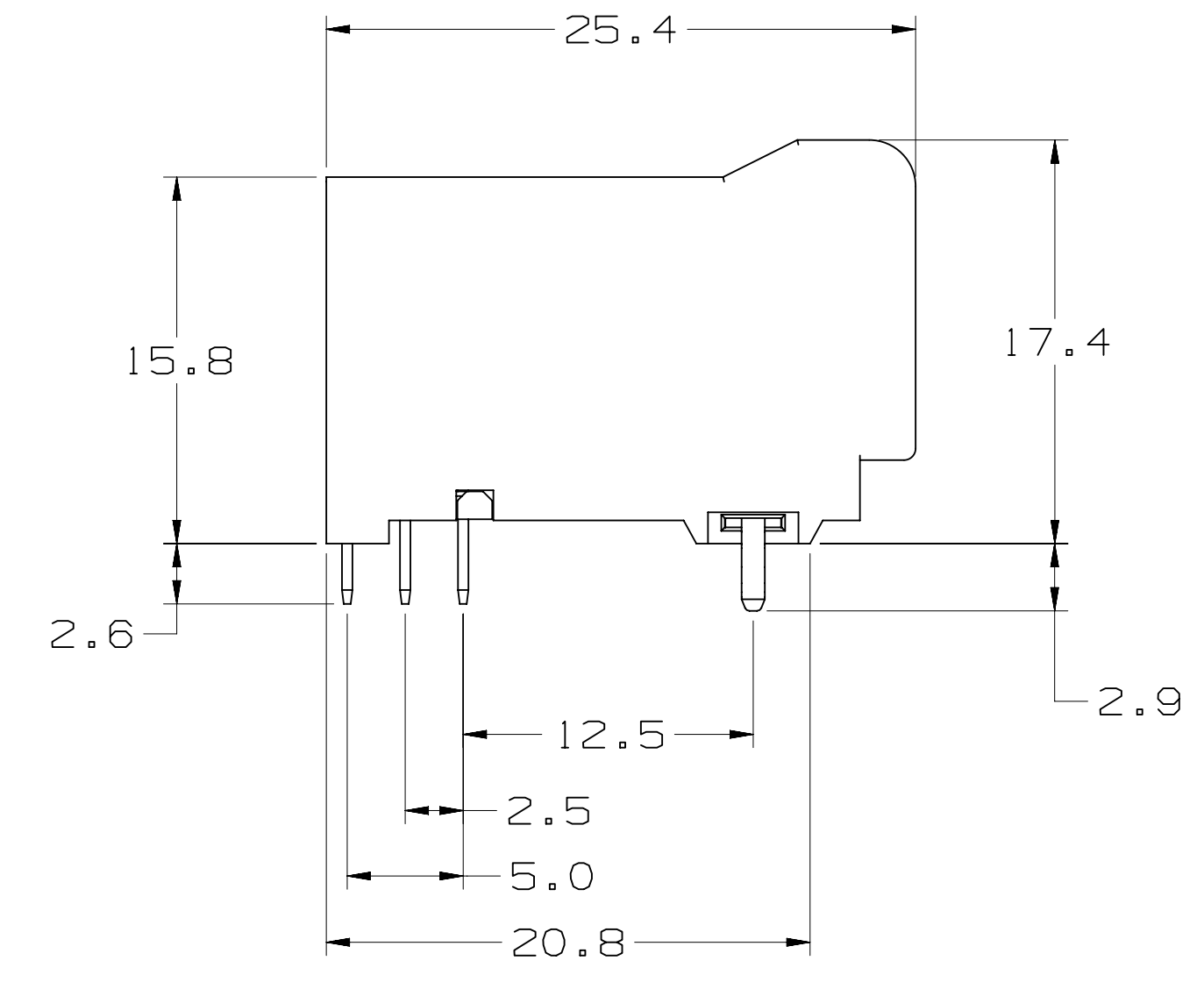
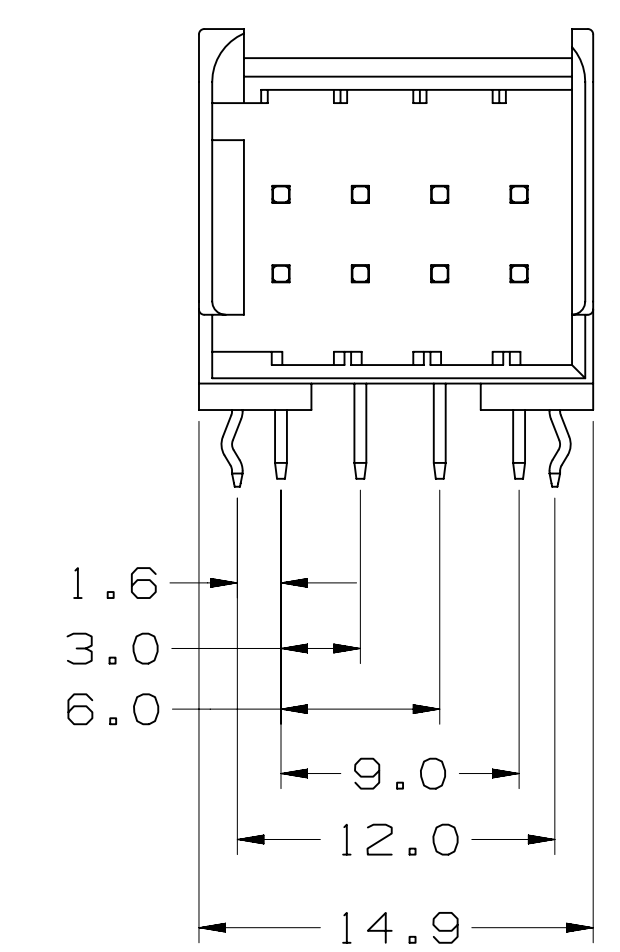
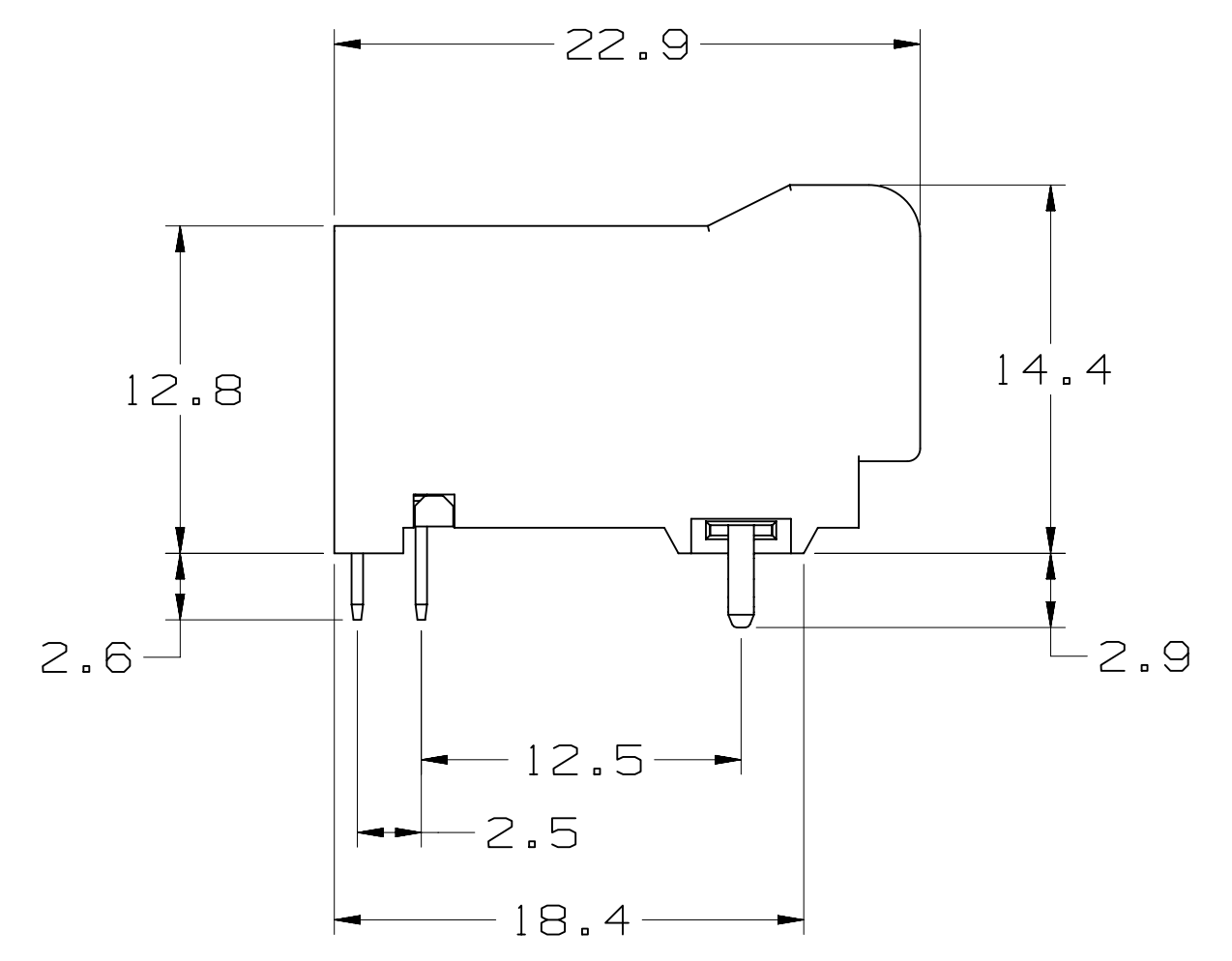
8 POSITION HEADER  
3S608-42X2-B00 PP

12 POSITION HEADER  
3S612-42X3-B00 PP



RECOMMENDED HOLE PATTERN

RECOMMENDED HOLE PATTERN



REV	ECO	ISSUE DATE AND DESCRIPTION	DRFT	CHKD
C	110639	JUN 08, 2023 COMBINED RIGTH ANGLE	TH	YK
B	103668	APR 27, 2022 UPDATE TITLE UPDATE DESCRIPTION ADD COMMON TYPE ADD 3POS AND 4POS	TH	YK
A	95460	FEB 05, 2021 INITIAL RELEASE	LDS	FJR

DESIGN REFERENCE	NEXT ASSEMBLY
APPROVED	DATE
CHKD	DATE
APPR	DATE
DATE	DATE
DATE	DATE



UL FILE NO : E68080

© 3M COPYR [GHT] 2022  
This document and the information it contains are 3M property and may not be reproduced or further distributed without 3M permission, or used or disclosed other than for 3M authorized purposes. All rights reserved.

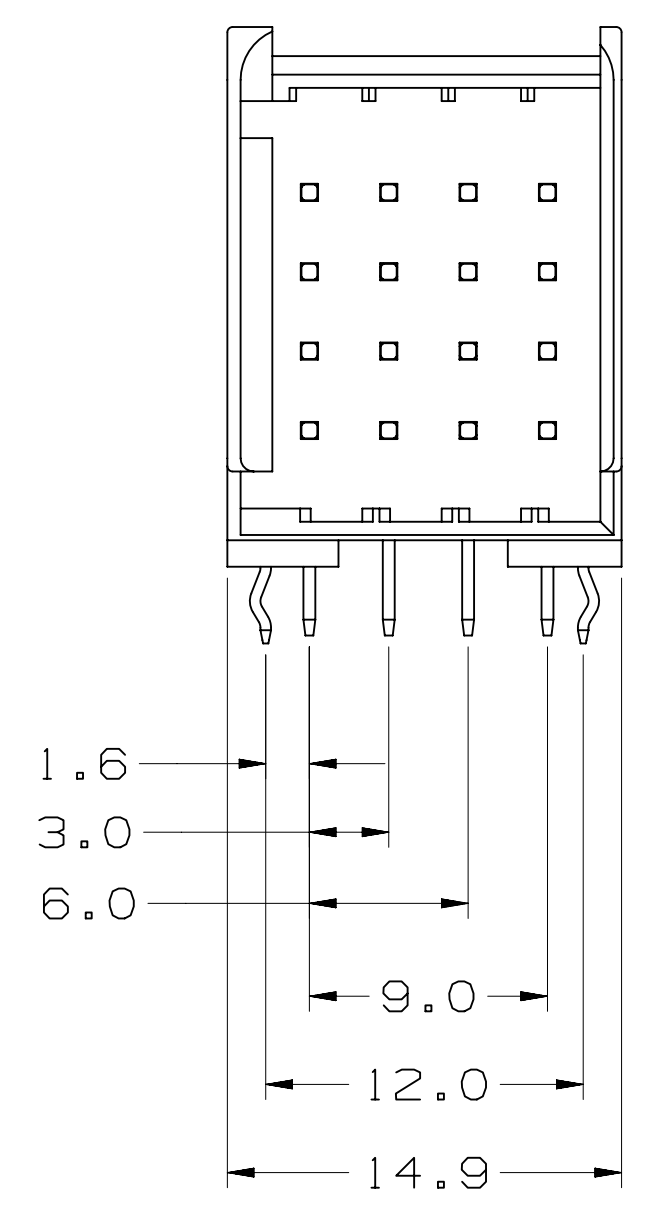
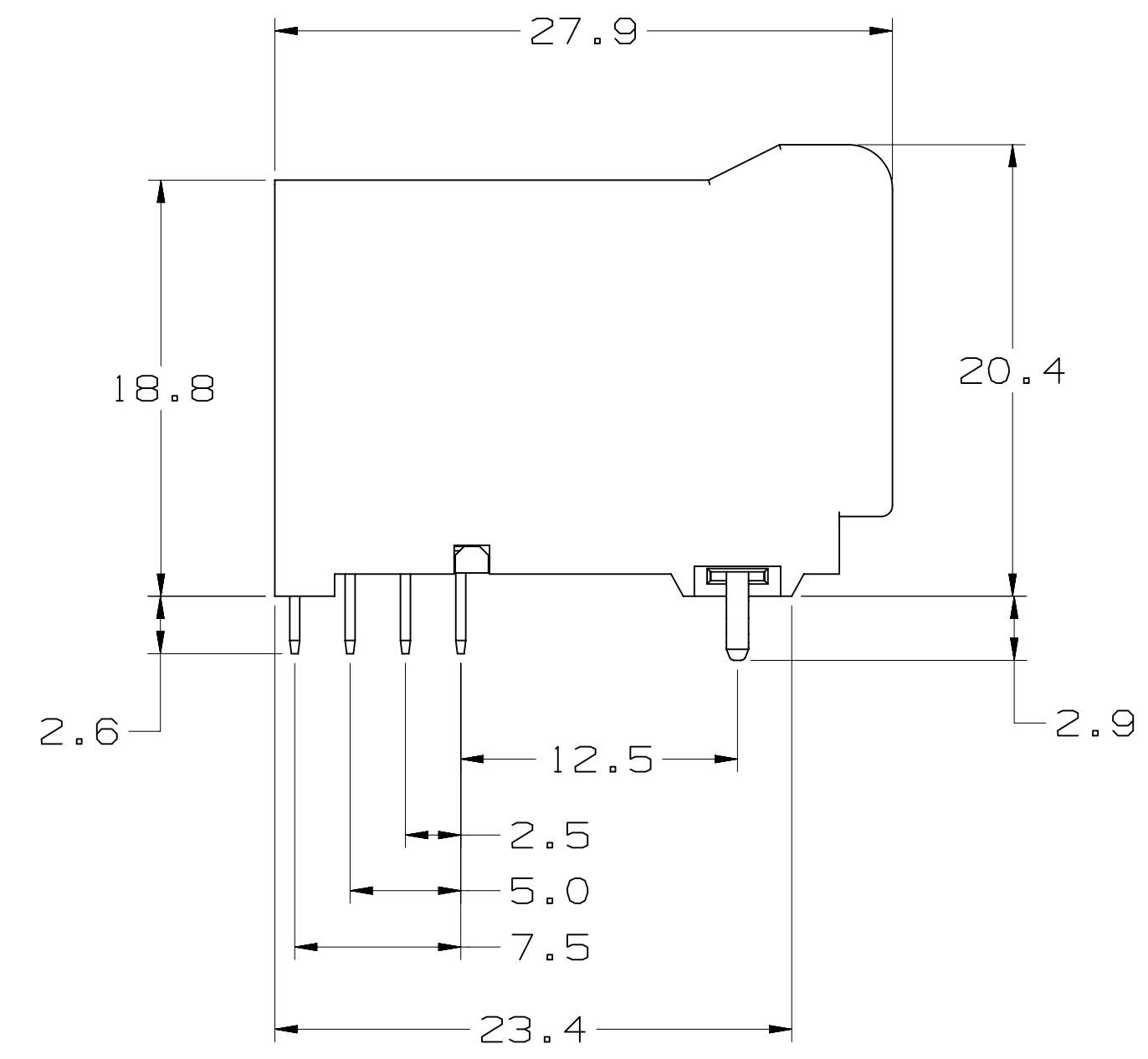
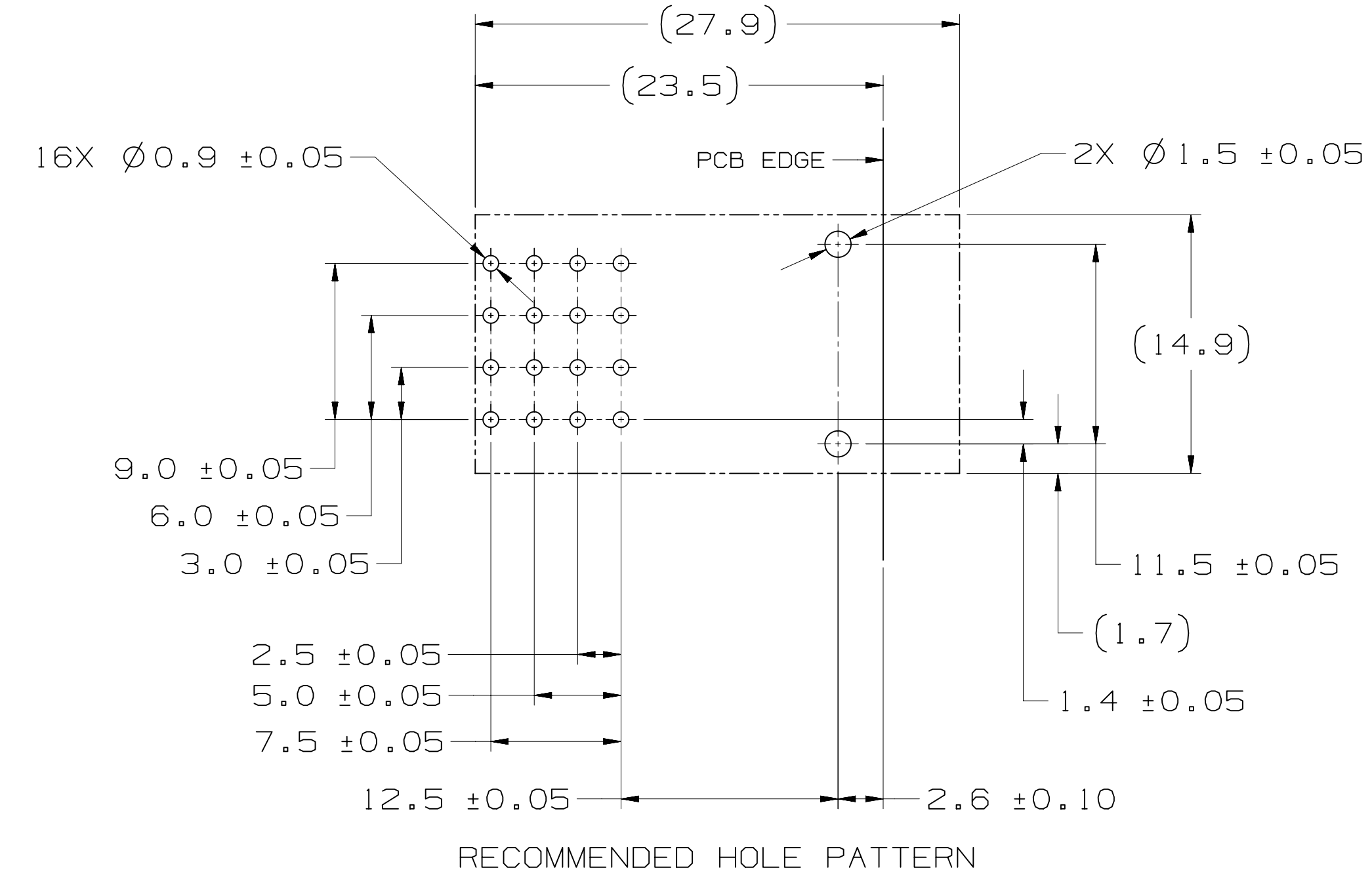
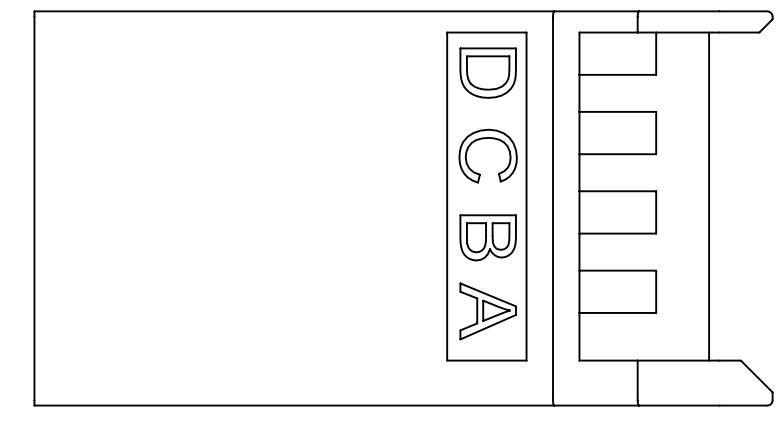
MINI STACK CONNECTOR  
BOARDMOUNT HEADER  
3S6XX-X2XX-B00 PP

CAGE NUMBER: D78-5100-2726-7  
DRAWING NO.: 78-5100-2726-7  
REV. C

DET: [ ] YES [X] NO [ ] SHT 6 OF 9

3M™ MINI STACK CONNECTOR, BOARDMOUNT HEADER RIGHT ANGLE TYPE  
3S6XX-42XX SERIES

16 POSITION HEADER  
3S616-42X4-B00 PP



UL FILE NO : E68080

REV	ECO	ISSUE DATE AND DESCRIPTION	DRFT	CHKD
C	110639	JUN 08, 2023 COMBINED RIGTH ANGLE	TH	YK
B	103668	APR 27, 2022 UPDATE TITLE UPDATE DESCRIPTION ADD COMMON TYPE ADD 3POS AND 4POS	TH	YK
A	95460	FEB 05, 2021 INITIAL RELEASE	LDS	FJR

DESIGN REFERENCE	NEXT ASSEMBLY	REV	ECO	ISSUE DATE AND DESCRIPTION	DRFT	CHKD
		DRP	L SCHMIDT	FEB 02, 2021	MFG	DATE
		CHKD			APPR	F RODRIGUEZ
					DATE	FEB 05, 2021

DO NOT SCALE DRAWING	SCALE FREE	TOLERANCES EXCEPT AS NOTED
THIRD ANGLE PROJECTION	INCHES	.00 ±
INTERPRET PER ASME Y14.5-2018	MILLIMETERS	0 ± .2
MAX SURFACE ROUGHNESS 125	INCHES	.00 ± .005
MARKED ONLY	MILLIMETERS	.00 ± .013
	INCHES	.000 ±
	MILLIMETERS	.000 ±
	INCHES	.000 ±
	MILLIMETERS	.000 ±

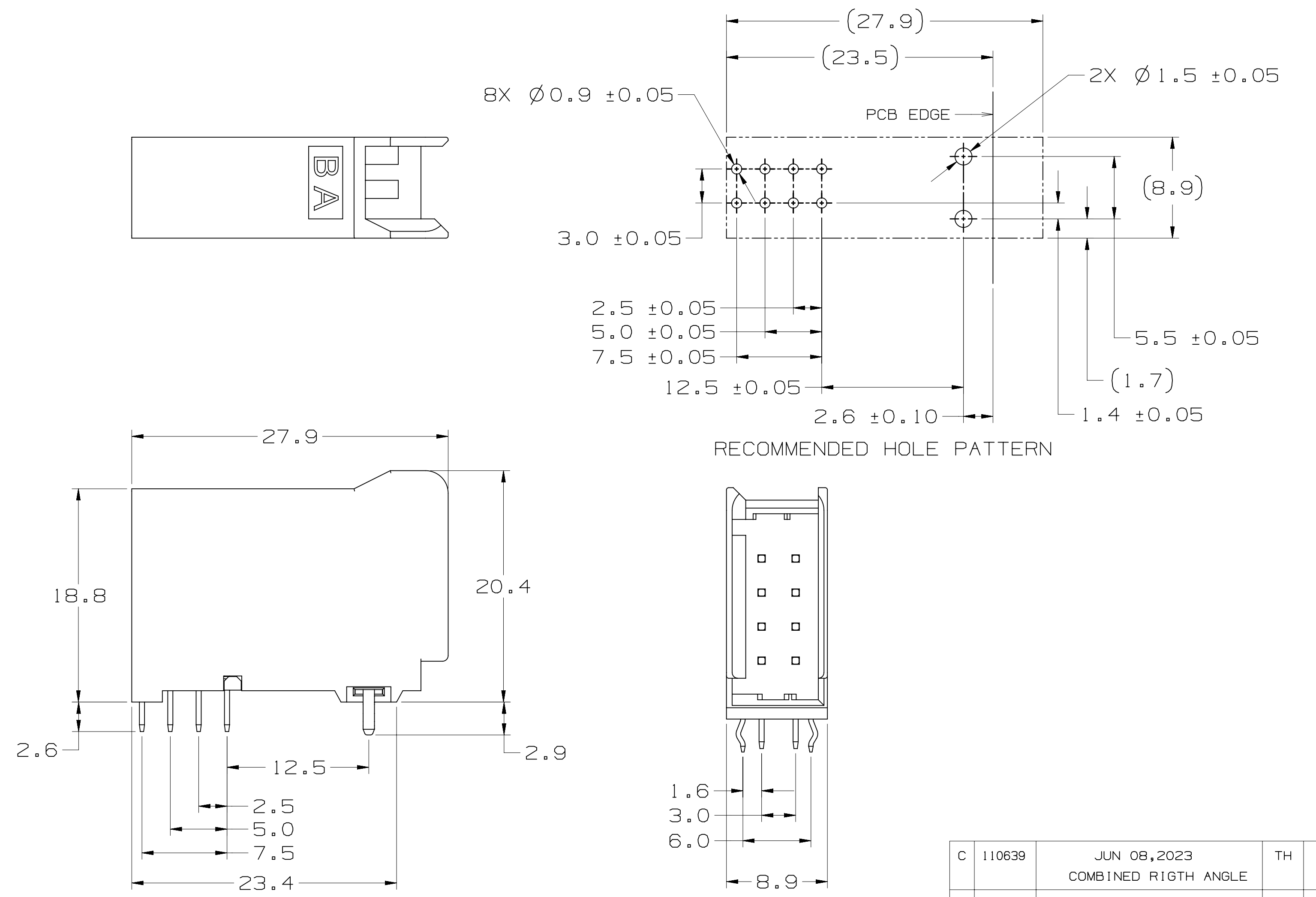
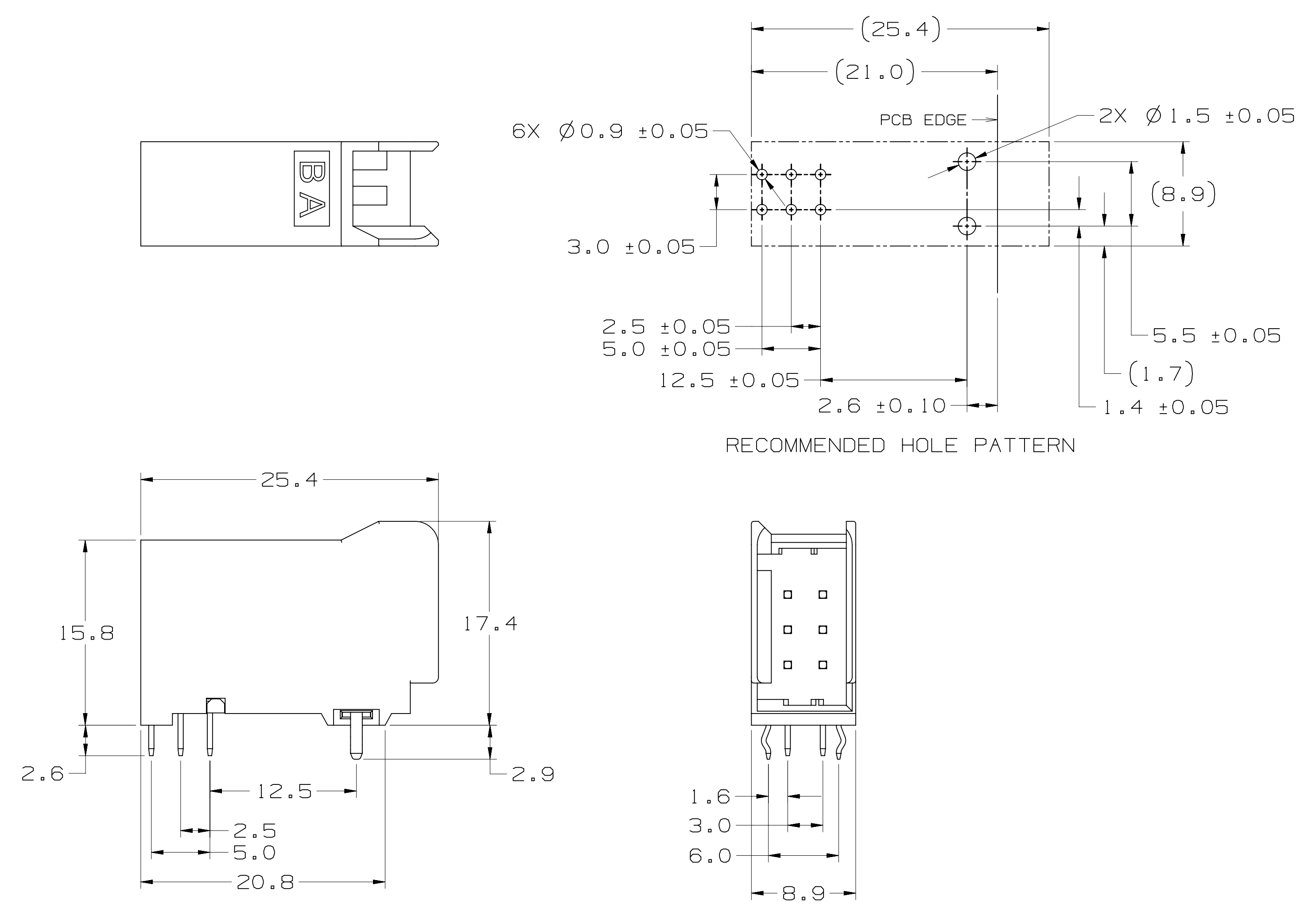
		© 3M COPYRIGHT 2022 This document and the information it contains are 3M property and may not be reproduced or further distributed without 3M permission, or used or disclosed other than for 3M authorized purposes. All rights reserved.	
TITLE MINI STACK CONNECTOR BOARDMOUNT HEADER 3S6XX-X2XX-B00 PP			
CAGE NUMBER	SIZE	DRAWING NO.	REV.
D		78-5100-2726-7	C
MODEL	DET	YES	NO
		SHT	7 OF 9

78-5100-2726-7  
DRAWING NUMBER

3M™ MINI STACK CONNECTOR, BOARDMOUNT HEADER RIGHT ANGLE TYPE  
3S6XX-42XX SERIES

6 POSITION HEADER  
3S606-42C3-B00 PP

8 POSITION HEADER  
3S608-42C4-B00 PP



REV	ECO	ISSUE DATE AND DESCRIPTION	DRFT	CHKD
C	110639	JUN 08, 2023 COMBINED RIGTH ANGLE	TH	YK
B	103668	APR 27, 2022 UPDATE TITLE UPDATE DESCRIPTION ADD COMMON TYPE ADD 3POS AND 4POS	TH	YK
A	95460	FEB 05, 2021 INITIAL RELEASE	LDS	FJR

DESIGN REFERENCE	NEXT ASSEMBLY
APPROVED	DATE
CHKD	DATE
APPR	DATE
DATE	DATE



UL FILE NO : E68080

DO NOT SCALE DRAWING	SCALE FREE	TOLERANCES EXCEPT AS NOTED
THIRD ANGLE PROJECTION	INTERPRET PER ASME Y14.5-2018	MILLIMETERS
MAX SURFACE ROUGHNESS	125	INCHES
MARKED ONLY	ANGLES	

3M Center St. Paul, MN 55144	© 3M COPYRIGHT 2022 This document and the information it contains are 3M property and may not be reproduced or further distributed without 3M permission, or used or disclosed other than for 3M authorized purposes. All rights reserved.
TITLE	MINI STACK CONNECTOR BOARDMOUNT HEADER 3S6XX-X2XX-B00 PP
CAGE NUMBER	D 78-5100-2726-7
SIZE	8
DRAWING NO.	78-5100-2726-7
REV.	C

78-5100-2726-7  
DRAWING NUMBER

A

SHT 8 OF 9



8 7 6 5 4 3 2 1

3M™ MINI STACK CONNECTOR, BOARDMOUNT HEADER  
3S6XX-X2XX SERIES

Regulatory: For regulatory information about this product, visit 3M.com/regs or contact your 3M representative.

Technical Information: The technical information, recommendations and other statements contained in this document are based upon tests or experience that 3M believes are reliable, but the accuracy or completeness of such information is not guaranteed.

Product Use: Many factors beyond 3M's control and uniquely within user's control can affect the use and performance of a 3M product in a particular application. Given the variety of factors that can affect the use and performance of a 3M product, user is solely responsible for evaluating the 3M product and determining whether it is fit for a particular purpose and suitable for user's method of application.

Warranty, Limited Remedy, and Disclaimer: Unless an additional warranty is specifically stated on the applicable 3M product packaging or product literature, 3M warrants that each 3M product meets the applicable 3M product specification at the time 3M ships the product. 3M MAKES NO OTHER WARRANTIES OR CONDITIONS, EXPRESS OR IMPLIED, INCLUDING, BUT NOT LIMITED TO, ANY IMPLIED WARRANTY OR CONDITION OF MERCHANTABILITY OR FITNESS FOR A PARTICULAR PURPOSE OR ANY IMPLIED WARRANTY OR CONDITION ARISING OUT OF A COURSE OF DEALING, CUSTOM OR USAGE OR TRADE. If the 3M product does not conform to this warranty, then the sole and exclusive remedy is, at 3M's option, replacement of the 3M product or refund of the purchase price.

Limitation of Liability: Except where prohibited by law, 3M will not be liable for any loss or damage arising from the 3M product, whether direct, indirect, special, incidental or consequential, regardless of the legal theory asserted, including warranty, contract, negligence or strict liability.

3M Company  
Electronics Materials Solutions Division  
13011 McCallen Pass, Bldg. C  
Austin, TX 78753-5380  
1-800-225-5373  
www.3M.com/interconnect



UL FILE NO : E68080

DESIGN REFERENCE	NEXT ASSEMBLY	REV	ECO	ISSUE DATE AND DESCRIPTION	DRFT	CHKD
		DRP	L SCHMIDT	DATE	FEB 02, 2021	MFG
		CHKD		DATE		DATE
				APPR	F RODRIGUEZ	DATE
				DATE		FEB 05, 2021
DIVISION		DIVISION CODE				
DO NOT SCALE DRAWING	SCALE FREE	TOLERANCES EXCEPT AS NOTED				
	THIRD ANGLE PROJECTION	INCHES		© 3M COPYRIGHT 2022 This document and the information it contains are 3M property and may not be reproduced or further distributed without 3M permission, or used or disclosed other than for 3M authorized purposes. All rights reserved.		
	INTERPRET PER ASME Y14.5-2018	MILLIMETERS		MINI STACK CONNECTOR BOARDMOUNT HEADER 3S6XX-X2XX-B00 PP		
	MAX SURFACE ROUGHNESS 125 SURFACES	.00 ± .005 .000 ± .005 .000 ± .005		CAGE NUMBER	SIZE	DRAWING NO.
	MARKED ONLY	.00 ± .005 .000 ± .005 .000 ± .005		D	78-5100-2726-7	C
		.00 ± .005 .000 ± .005 .000 ± .005		MODEL	DET	ISTS
		.00 ± .005 .000 ± .005 .000 ± .005			YES	NO
		.00 ± .005 .000 ± .005 .000 ± .005			SHT	9 OF 9

78-5100-2726-7 DRAWING NUMBER