

Product: [GDM210A-S1Q-10D](#)

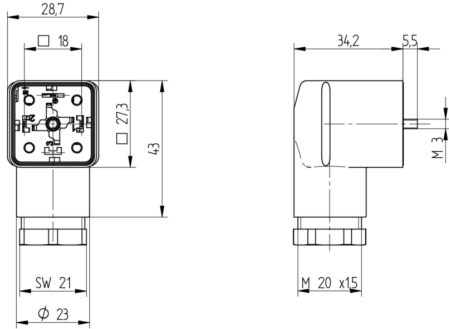


GDM Standard DIN Standard Field Attachable Connector: Form A, 3-pin (2+1PE; PE across cable outlet), black housing, screw type, M20; with supressor diode, 24 V AC/DC, 10 A

Product Description

GDM Standard DIN Standard Field Attachable Connector: Form A, 3-pin (2+1PE; PE across cable outlet), black housing, screw type, M20; with supressor diode, 24 V AC/DC, 10 A

Technical Drawing



Montageanleitung Ventiltrennvorhinder GDM

Wichtige Hinweise

Bitte beachten Sie, dass die PE- oder N-Leiterschleife nicht, sondern die Verbindung von Schutzleiter zu Schutzleiter ist die richtige Anschlussart. Die PE- oder N-Leiterschleife ist nicht zulässig und führt zu einer falschen Anschlussart.

1. Leittrennung, Schutzleiteranschluss / Anpressung

GDM200	50 x 50 mm	150 Nm
GDM200	60 x 60 mm	150 Nm
GDM200	80 x 80 mm	150 Nm
GDM200	100 x 100 mm	150 Nm
GDM200	120 x 120 mm	150 Nm

2. Schutzleiteranschluss / Anpressung / Elektr. Werte

AVG 20	40 Nm	64 / 300 V a.c./d.c.
AVG 25	40 Nm	100 / 300 V a.c./d.c.
AVG 30	40 Nm	150 / 300 V a.c./d.c.
AVG 35	40 Nm	200 / 300 V a.c./d.c.

3. Betriebsdaten-Anpassung

M 20	4.5, 6, 8, 10, 12, 15, 20, 25, 30, 35, 40, 45, 50, 60, 70, 80, 90, 100, 110, 120, 130, 140, 150, 160, 170, 180, 190, 200, 210, 220, 230, 240, 250, 260, 270, 280, 290, 300, 310, 320, 330, 340, 350, 360, 370, 380, 390, 400, 410, 420, 430, 440, 450, 460, 470, 480, 490, 500, 510, 520, 530, 540, 550, 560, 570, 580, 590, 600, 610, 620, 630, 640, 650, 660, 670, 680, 690, 700, 710, 720, 730, 740, 750, 760, 770, 780, 790, 800, 810, 820, 830, 840, 850, 860, 870, 880, 890, 900, 910, 920, 930, 940, 950, 960, 970, 980, 990, 1000
------	---

4. Leitung Adress, Adressierung

Optionen für die Verwendung einer Adressierbar-Lösung

AVC

AVP

AVS

AVT

AVU

AVV

AVW

AVX

AVY

AVZ

AVAA

AVAB

AVAC

AVAD

AVAE

AVAF

AVAG

AVAH

AVAI

AVAJ

AVAK

AVAL

AVAM

AVAN

AVAO

AVAP

AVAQ

AVAR

AVAS

AVAT

AVAU

AVAV

AVAW

AVAX

AVAY

AVAZ

AVBA

AVBB

AVBC

AVBD

AVBE

AVBF

AVBG

AVBH

AVBI

AVBJ

AVBK

AVBL

AVBM

AVBN

AVBO

AVBP

AVBQ

AVBR

AVBS

AVBT

AVBU

AVBV

AVBW

AVBX

AVBY

AVBZ

AVCA

AVCB

AVCC

AVCD

AVCE

AVCF

AVCG

AVCH

AVCI

AVCJ

AVCK

AVCL

AVCM

AVCN

AVCO

AVCP

AVCQ

AVCR

AVCS

AVCT

AVCU

AVCV

AVCW

AVCX

AVCY

AVCZ

AVDA

AVDB

AVDC

AVDD

AVDE

AVDF

AVDG

AVDH

AVDI

AVDJ

AVDK

AVDL

AVDM

AVDN

AVDO

AVDP

AVDQ

AVDR

AVDS

AVDT

AVDU

AVDV

AVDW

AVDX

AVDY

AVDZ

AVEA

AVEB

AVEC

AVED

AVEE

AVEF

AVEG

AVEH

AVEI

AVEJ

AVEK

AVEL

AVEM

AVEN

AVEO

AVEP

AVEQ

AVER

AVES

AVET

AVEU

AVEV

AVEW

AVEX

AVEY

AVEZ

AVFA

AVFB

AVFC

AVFD

AVFE

AVFF

AVFG

AVFH

AVFI

AVFJ

AVFK

AVFL

AVFM

AVFN

AVFO

AVFP

AVFQ

AVFR

AVFS

AVFT

AVFU

AVFV

AVFW

AVFX

AVFY

AVFZ

AVGA

AVGB

AVGC

AVGD

AVGE

AVGF

AVGG

AVGH

AVGI

AVGJ

AVGK

AVGL

AVGM

AVGN

AVGO

AVGP

AVGQ

AVGR

AVGS

AVGT

AVGU

AVGV

AVGW

AVGX

AVGY

AVGZ

AVHA

AVHB

AVHC

AVHD

AVHE

AVHF

AVHG

AVHH

AVHI

AVHJ

AVHK

AVHL

AVHM

AVHN

AVHO

AVHP

AVHQ

AVHR

AVHS

AVHT

AVHU

AVHV

AVHW

AVHX

AVHY

AVHZ

AVIA

AVIB

AVIC

AVID

AVIE

AVIF

AVIG

AVIH

AVII

AVIJ

AVIK

AVIL

AVIM

AVIN

AVIO

AVIP

AVIQ

AVIR

AVIS

AVIT

AVIU

AVIV

AVIW

AVIX

AVIY

AVIZ

AVJA

AVJB

AVJC

AVJD

AVJE

AVJF

AVJG

AVJH

AVJI

AVJJ

AVJK

AVJL

AVJM

AVJN

AVJO

AVJP

AVJQ

AVJR

AVJS

AVJT

AVJU

AVJV

AVJW

AVJX

AVJY

AVJZ

AVKA

AVKB

AVKC

AVKD

AVKE

AVKF

AVKG

AVKH

AVKI

AVKJ

AVKL

AVKM

AVKN

AVKO

AVKP

AVKQ

AVKR

AVKS

AVKT

AVKU

AVKV

AVKW

AVKX

AVKY

AVKZ

AVLA

AVLB

AVLC

AVLD

AVLE

AVLF

AVLG

AVLH

AVLI

AVLJ

AVLK

AVLL

AVLM

AVLN

AVLO

AVLP

AVLQ

AVLR

AVLS

AVLT

AVLU

AVLV

AVLW

AVLX

AVLY

AVLZ

AVMA

AVMB

AVMC

AVMD

AVME

AVMF

AVMG

AVMH

AVMI

AVMJ

AVMK

AVML

AVMM

AVMN

AVMO

AVMP

AVMQ

AVMR

AVMS

AVMT

AVMU

AVMV

AVMW

AVMX

AVMY

AVMZ

AVNA

AVNB

AVNC

AVND

AVNE

AVNF

AVNG

AVNH

AVNI

AVNJ

AVNK

AVNL

AVNM

AVNN

AVNO

AVNP

AVNQ

AVNR

AVNS

AVNT

AVNU

AVNV

AVNW

AVNX

AVNY

AVNZ

AVOA

AVOB

AVOC

AVOD

AVOE

AVOF

AVOG

AVOH

AVOI

AVOJ

AVOK

AVOL

AVOM

AVON

AVOO

AVOP

AVOQ

AVOR

AVOS

AVOT

AVOU

AVOV

AVOW

AVOX

AVOY

AVOZ

AVPA

AVPB

AVPC

AVPD

AVPE

AVPF

AVPG

AVPH

AVPI

AVPJ

AVPK

AVPL

AVPM

AVPN

AVPO

AVPP

AVPQ

AVPR

AVPS

AVPT

AVPU

AVPV

AVPW

AVPX

AVPY

AVPZ

AVQA

AVQB

AVQC

AVQD

AVQE

AVQF

AVQG

AVQH

AVQI

AVQJ

AVQK

AVQL

AVQM

AVQN

AVQO

AVQP

AVQQ

AVQR

AVQS

AVQT

AVQU

AVQV

AVQW

AVQX

AVQY

AVQZ

AVRA

AVRB

AVRC

AVRD

AVRE

AVRF

AVRG

AVRH

AVRI

AVRJ

AVRK

AVRL

AVRM

AVRN

AVRO

AVRP

AVRQ

AVRR

AVRS

AVRT

AVRU

AVRV

AVRW

AVRX

AVRY

AVRZ

AVSA

AVSB

AVSC

AVSD

AVSE

AVSF

AVSG

AVSH

AVSI

AVSJ

AVSK

AVSL

AVSM

AVSN

AVSO

AVSP

AVSQ

AVSR

AVSS

AVST

AVSU

AVSV

AVSW

AVSX

AVSY

AVSZ

AVTA

AVTB

AVTC

AVTD

AVTE

AVTF

AVTG

AVTH

AVTI

AVTJ

AVTK

AVTL

AVTM

AVTN

AVTO

AVTP

AVTQ

AVTR

AVTS

AVTT

AVTU

AVTV

AVTW

AVTX

AVTY

AVTZ

AVUA

AVUB

AVUC

AVUD

AVUE

AVUF

AVUG

AVUH

AVUI

AVUJ

AVUK

AVUL

AVUM

AVUN

AVUO

AVUP

AVUQ

AVUR

AVUS

AVUT

AVUU

AVUV

AVUW

AVUX

AVUY

AVUZ

AVVA

AVVB

AVVC

AVVD

AVVE

AVVF

AVVG

AVVH

AVVI

AVVJ

AVVK

AVVL

AVVM

AVVN

AVVO

AVVP

AVVQ

AVVR

AVVS

AVVT

AVVU

AVVV

AVVW

AVVX

AVVY

AVVZ

AVWA

AVWB

AVWC

AVWD

AVWE

AVWF

AVWG

AVWH

AVWI

AVWJ

AVWK

AVWL

AVWM

AVWN

AVWO

AVWP

AVWQ

AVWR

AVWS

AVWT

AVWU

AVWV

AVWW

AVWX

AVWY

AVWZ

AVXA

AVXB

AVXC

AVXD

AVXE

AVXF

AVXG

AVXH

AVXI

AVXJ

AVXK

AVXL

AVXM

AVXN

AVXO

AVXP

AVXQ

AVXR

AVXS

AVXT

AVXU

AVXV

AVXW

AVXX

AVXY

AVXZ

AVYA

AVYB

AVYC

AVYD

AVYE

AVYF

AVYG

AVYH

AVYI

AVYJ

AVYK

AVYL

AVYM

AVYN

AVYO

AVYP

AVYQ

AVYR

AVYS

AVYT

AVYU

AVYV

AVYW

AVYX

AVYY

AVYZ

AVZA

AVZB

AVZC

AVZD

AVZE

AVZF

AVZG

AVZH

AVZI

AVZJ

AVZK

AVZL

AVZM

AVZN

AVZO

AVZP

AVZQ

AVZR

AVZS

AVZT

AVZU

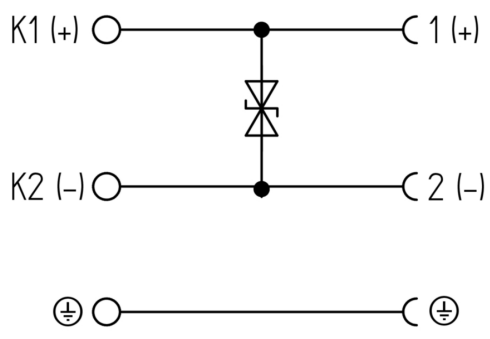
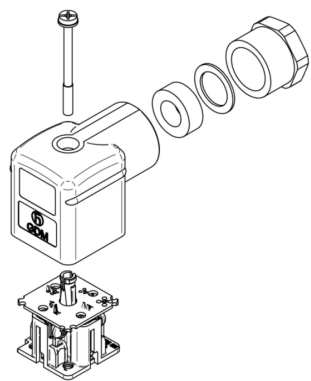
AVZV

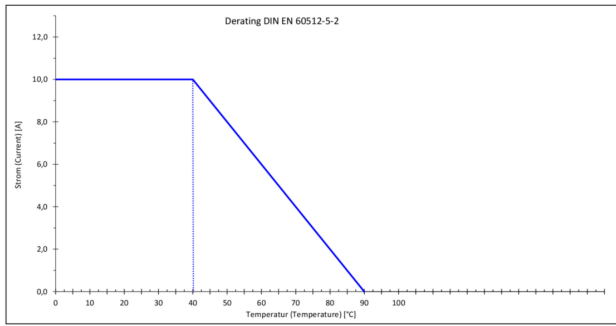
AVZW

AVZX

AVZY

AVZZ





Technical Specifications

Technical Data

Product Family:	Valve Connectors
Product Sub Family:	GDM Standard
Brand:	Hirschmann
Connector Type:	Field attachable
Type of Contact / Gender:	Female
Connector Design:	Angled
Number of Pins:	2+PE (PE across cable outlet)
Coding:	A
Shielding:	Unshielded
Attachment Type:	Central Screw
Rated Impulse Voltage:	4.0 kV (PCBA 2.0 kV)
Operating Voltage:	24 V AC/DC
Rated Current*:	10 A
Contact Resistance:	≤ 10 mOhm
Insulation Resistance:	> 10 ⁹ Ohm
Mating Cycles:	≤ 50
Type of Connection:	Screw
Cable Gland:	M20
Conductor Cross Section:	0.25 - 1.5 mm ²
Suitable Cables:	Ø 4.5 - 11 mm
Ambient Temperature (Operation)*:	-40 °C - +125 °C
Protection Degree / IP Rating**:	IP65
Design Standard:	DIN EN 175301-803-A, ISO 4400
Pollution Degree:	3 acc. to DIN EN 60664-1 (VDE 0110-1)
Clearance / Creepage Distance:	DIN EN 60664-1 (2008/01); VDE 0110-1
Overvoltage Category:	III acc. to DIN EN 60664-1 (VDE 0110-1)

Materials

Contact Base Material:	CuZn
Contact Plating:	Cu/Sn
Contact Bearer Material:	PA GF
Contact Bearer Color:	black
Flammability Class (Contact Bearer):	UL 94 HB
Housing Material:	PA GF
Housing Color:	Black
Flammability Class (Housing):	UL 94 HB
Cable Gland Material:	PA GF
Cable Gland Gasket:	NBR
Cable Gland Color:	Black

Attachment Material:	Steel, Philips combi slot
Gasket Material:	Sold separately

Protection Circuitry

Protective Circuit:	Supressor diode
---------------------	-----------------

Additional Technical Data

Fastening Torque (Contact Screw):	(40-50) Ncm for conductor size 0.25 - 1.5 mm ² ; (30-40) Ncm for conductor size 0.34 mm ² ; (25-30) Ncm for conductor size 0.25 mm ²
Fastening Torque (Cable Gland):	(150-200) Ncm
Fastening Torque (Attachment):	(50-60) Ncm

Approvals

VDE:	yes
SEV:	yes

Safety & Environmental Compliance

RoHS Compliant:	yes
-----------------	-----

Notes

Note Derating:	Notice derating
Protection Degree / IP Rating Note:	** only if mounted and locked in combination with Hirschmann / Lumberg Automation connector.
Note:	Do not connect or disconnect under load.

Variants

Item #	Item Description
934888061	GDM210A-S1Q-10D

© 2023 Belden, Inc

All Rights Reserved.

Although Belden makes every reasonable effort to ensure their accuracy at the time of this publication, information and specifications described here in are subject to error or omission and to change without notice, and the listing of such information and specifications does not ensure product availability.

Belden provides the information and specifications herein on an "ASIS" basis, with no representations or warranties, whether express, statutory or implied. In no event will Belden be liable for any damages (including consequential, indirect, incidental, special, punitive, or exemplary damages) whatsoever, even if Belden has been advised of the possibility of such damages, whether in an action under contract, negligence or any other theory, arising out of or in connection with the use, or inability to use, the information or specifications described herein.

All sales of Belden products are subject to Belden's standard terms and conditions of sale.

Belden believes this product to be in compliance with all applicable environmental programs as listed in the data sheet. The information provided is correct to the best of Belden's knowledge, information and belief at the date of its publication. This information is designed only as a general guide for the safe handling, storage, and any other operation of the product itself or the one that it becomes a part of. The Product Disclosure is not to be considered a warranty or quality specification. Regulatory information is for guidance purposes only. Product users are responsible for determining the applicability of legislation and regulations based on their individual usage of the product.