

3HE00868CA-20-C

Alcatel-Lucent Nokia® 3HE00868CA-20 Compatible TAA 1000Base-BX SFP Transceiver (SMF, 1310nmTx/1490nmRx, 20km, LC, DOM, -40 to 85C)

Features:

- INF-8074 and SFF-8472 Compliance
- Simplex LC Connector
- Single-mode Fiber
- Industrial Temperature -40 to 85 Celsius
- Hot Pluggable
- Metal with Lower EMI
- Excellent ESD Protection
- RoHS Compliant and Lead Free



Applications:

- 1000Base-BX Ethernet
- 1x Fibre Channel
- Access (FTTx) and Enterprise

Product Description

This Alcatel-Lucent Nokia® 3HE00868CA-20 compatible SFP transceiver provides 1000Base-BX throughput up to 20km over single-mode fiber (SMF) using a wavelength of 1310nmTx/1490nmRx via an LC connector. It is guaranteed to be 100% compatible with the equivalent Alcatel-Lucent Nokia® transceiver. This easy to install, hot swappable transceiver has been programmed, uniquely serialized and data-traffic and application tested to ensure that it will initialize and perform identically. Digital optical monitoring (DOM) support is also present to allow access to real-time operating parameters. This transceiver is Trade Agreements Act (TAA) compliant. We stand behind the quality of our products and proudly offer a limited lifetime warranty.

ProLabs' transceivers are RoHS compliant and lead-free.

TAA refers to the Trade Agreements Act (19 U.S.C. & 2501-2581), which is intended to foster fair and open international trade. TAA requires that the U.S. Government may acquire only "U.S. – made or designated country end products."



Regulatory Compliance

- ESD to the Electrical PINs: compatible with MIL-STD-883E Method 3015.4
- ESD to the LC Receptacle: compatible with IEC 61000-4-3
- EMI/EMC compatible with FCC Part 15 Subpart B Rules, EN55022:2010
- Laser Eye Safety compatible with FDA 21CFR, EN60950-1& EN (IEC) 60825-1,2
- RoHS compliant with EU RoHS 2.0 directive 2015/863/EU

Absolute Maximum Ratings

| Parameter | Symbol | Min. | Max. | Unit |
|----------------------------|------------------|------|------|------|
| Maximum Supply Voltage | V _{CC} | -0.5 | 4.0 | V |
| Storage Temperature | T _S | -40 | 85 | °C |
| Operating Case Temperature | T _C | -40 | +85 | °C |
| Operating Humidity | RH | 5 | 85 | % |
| Receiver Power | R _{MAX} | | -3 | dBm |
| Maximum Bitrate | B _{max} | | 2.67 | Gbps |

Electrical Characteristics (TOP=25°C, V_{CC}=3.3Volts)

| Parameter | Symbol | Min. | Typ. | Max. | Unit | Notes |
|--------------------------------|----------------------|------|------|------|------|-------|
| Power Supply Voltage | V _{CC} | 3.15 | 3.30 | 3.43 | V | |
| Power Supply Current | I _{CC} | | | 303 | mA | |
| Power Consumption | P _{DISS} | | | 1 | W | |
| Transmitter | | | | | | |
| Differential data input swing | V _{in,pp} | 120 | | 850 | mV | |
| Input differential impedance | Z _{in} | 80 | 100 | 120 | Ω | |
| Receiver | | | | | | |
| Differential data output swing | V _{out, pp} | 300 | | 850 | mV | |
| Output differential impedance | Z _{in} | 80 | 100 | 120 | Ω | |

Optical Characteristics

| Parameter | Symbol | Min. | Typ. | Max. | Unit | Notes |
|--------------------------------|------------|------|------|-------|------|-------|
| Transmitter | | | | | | |
| Optical Power (average) | P_{AVE} | -9 | | -3 | dBm | 1 |
| Optical Extinction Ratio | ER | 9 | | | dB | |
| Optical Wavelength | $T\lambda$ | 1260 | 1310 | 1360 | nm | |
| Insertion loss | IL | | 1.2 | | | |
| Receiver | | | | | | |
| Receiver Sensitivity (average) | R_{AVE} | | | -19.5 | dBm | 3 |
| Receiver overload | P_{max} | -3 | | | dBm | 4 |
| Receiver wavelength | $R\lambda$ | 1480 | | 1500 | nm | |

Notes:

1. Coupled into a Single-mode fibre
2. Per IEEE 802.3ah specification
3. Average power, back-to-back, @2.67Gbps, BER 1E-12, PRBS 231-1.
4. Exceeding the Receiver overload can physically damage the module. Please use appropriate attenuation.

Pin Descriptions

| Pin | Symbol | Name/Descriptions | Ref. |
|-----|------------|--|------|
| 1 | VeeT | Transmitter Ground (Common with Receiver Ground). | 1 |
| 2 | TX Fault | Transmitter Fault. LVTTTL-O | 2 |
| 3 | TX Disable | Transmitter Disable. Laser output disabled on high or open. LVTT-I. | 3 |
| 4 | SDA | 2-Wire Serial Interface Data Line (Same as MOD-DEF2 in INF-8074i). LVTTTL-I/O. | |
| 5 | SCL | 2-Wire Serial Interface Data Line (Same as MOD-DEF2 in INF-8074i). LVTTTL-I. | |
| 6 | MOD_ABS | Module Absent, Connect to VeeT or VeeR in Module. | 4 |
| 7 | RS0 | Rate Select 0. Not used | 5 |
| 8 | LOS | Loss of Signal indication. Logic 0 indicates normal operation. LVTTTL-O. | 2 |
| 9 | RS1 | Rate Select 1. Not used | 5 |
| 10 | VeeR | Receiver Ground (Common with Transmitter Ground). | 1 |
| 11 | VeeR | Receiver Ground (Common with Transmitter Ground). | 1 |
| 12 | RD- | Receiver Inverted DATA out. AC Coupled. CML-O. | |
| 13 | RD+ | Receiver Non-inverted DATA out. AC Coupled. CML-O. | |
| 14 | VeeR | Receiver Ground (Common with Transmitter Ground). | 1 |
| 15 | VccR | Receiver Power Supply. | |
| 16 | VccT | Transmitter Power Supply. | |
| 17 | VeeT | Transmitter Ground (Common with Receiver Ground). | 1 |
| 18 | TD+ | Transmitter Non-Inverted DATA in. AC Coupled. CML-I. | |
| 19 | TD- | Transmitter Inverted DATA in. AC Coupled. CML-O. | |
| 20 | VeeT | Transmitter Ground (Common with Receiver Ground). | 1 |

Notes:

1. The module signal ground contacts, VeeR and VeeT, should be isolated from the module case.
2. This contact is an open collector/drain output and should be pulled up to the Vcc_Host with resistor in the range 4.7K Ω to 10K Ω . Pull ups can be connected to one or several power supplies, however the host board design shall ensure that no module contract has voltage exceeding module VccT/R +0.5.V.
3. Tx_Disable is an input contact with a 4.7K Ω to 10K Ω pull-up resistor to VccT inside module.
4. Mod_ABS is connected to VeeT or VeeR in the SFP+ module. The host may pull the contract up to Vcc_Host with a resistor in the range from 4.7K Ω to 10K Ω . Mod_ABS is asserted "High" when the SFP+ module is physically absent from a host slot.
5. Internally pulled down per SFF-8431



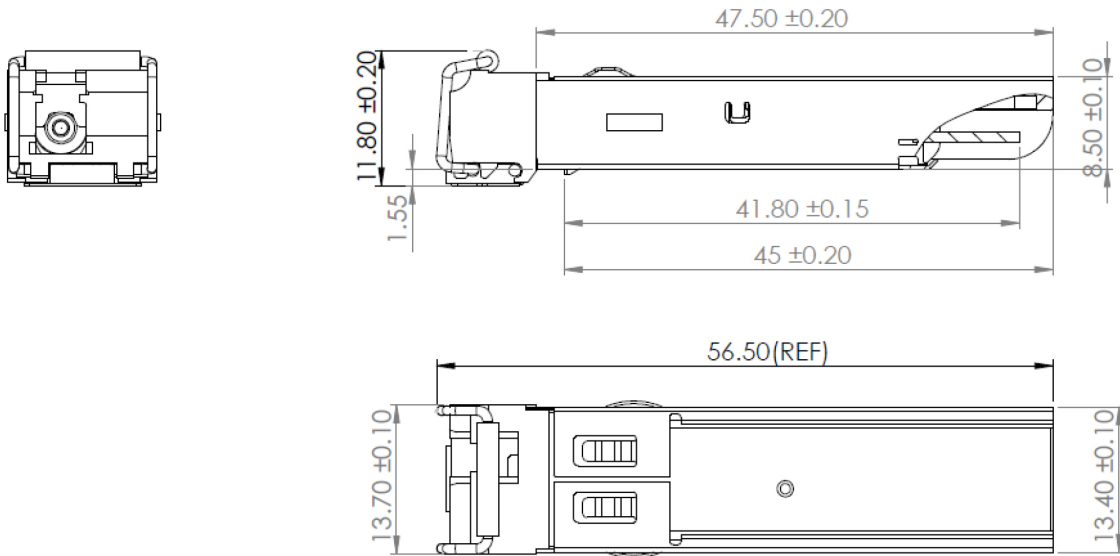
Pin-out of connector Block on Host board

Recommended Circuit Schematic



Mechanical Specifications

Small Form Factor Pluggable (SFP) transceivers are compatible with the dimensions defined by the SFP Multi-Sourcing Agreement (MSA).



EEPROM Information

EEPROM memory map specific data field description is as below:



About ProLabs

Our experience comes as standard; for over 15 years ProLabs has delivered optical connectivity solutions that give our customers freedom and choice through our ability to provide seamless interoperability. At the heart of our company is the ability to provide state-of-the-art optical transport and connectivity solutions that are compatible with over 90 optical switching and transport platforms.

Complete Portfolio of Network Solutions

ProLabs is focused on innovations in optical transport and connectivity. The combination of our knowledge of optics and networking equipment enables ProLabs to be your single source for optical transport and connectivity solutions from 100Mb to 400G while providing innovative solutions that increase network efficiency. We provide the optical connectivity expertise that is compatible with and enhances your switching and transport equipment.

Trusted Partner

Customer service is our number one value. ProLabs has invested in people, labs and manufacturing capacity to ensure that you get immediate answers to your questions and compatible product when needed. With Engineering and Manufacturing offices in the U.K. and U.S. augmented by field offices throughout the U.S., U.K. and Asia, ProLabs is able to be our customers best advocate 24 hours a day.

Contact Information

ProLabs US

Email: sales@prolabs.com

Telephone: 952-852-0252

ProLabs UK

Email: salessupport@prolabs.com

Telephone: +44 1285 719 600