

R-Series - UL1077 Supplementary Protector - 3 pole B-Trip



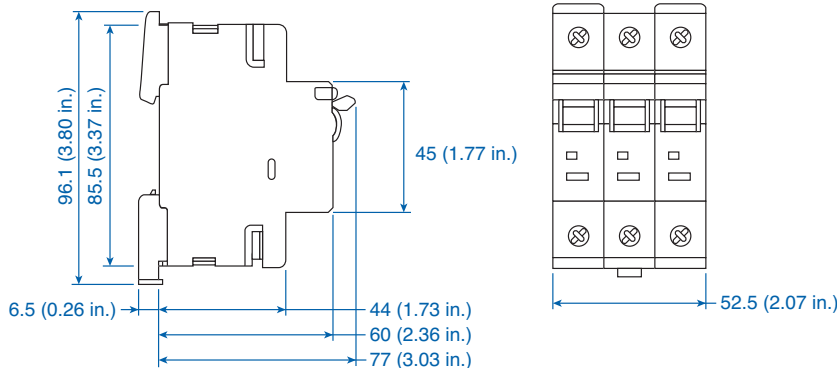
Three Pole

Standard Pack: 12

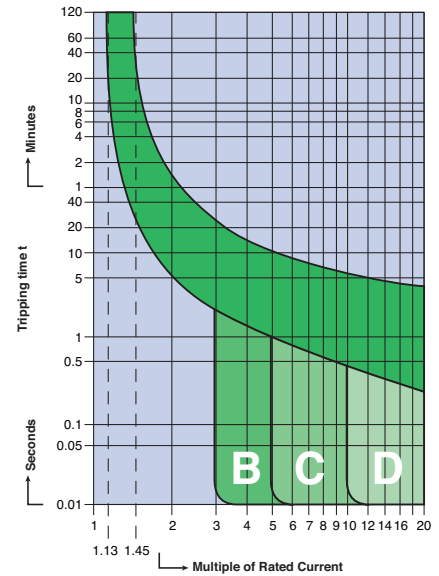
Weight:

0.5A - 63A: 1.6kg (3.54 lb.)

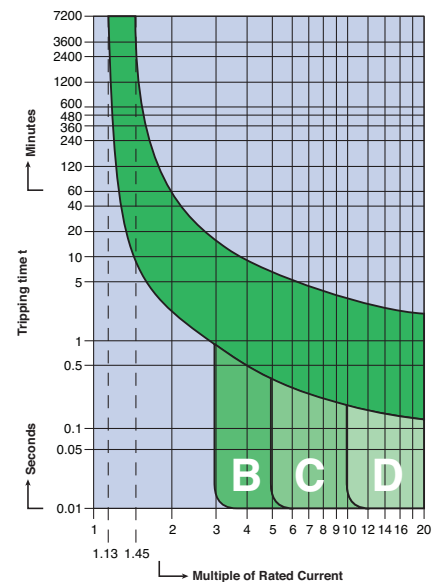
| Rated Current | Type/ Cat. No. |
|---------------|-------------------|
| 0.5A | 3BU05R |
| 1.0A | 3BU1R |
| 2.0A | 3BU2R |
| 3.0A | 3BU3R |
| 4.0A | 3BU4R |
| 5.0A | 3BU5R |
| 6.0A | 3BU6R |
| 8.0A | 3BU8R |
| 10A | 3BU10R |
| 12A | 3BU12R |
| 13A | 3BU13R |
| 15A | 3BU15R |
| 16A | 3BU16R |
| 20A | 3BU20R |
| 25A | 3BU25R |
| 30A | 3BU30R |
| 32A | 3BU32R |
| 40A | 3BU40R |
| 50A | 3BU50R |
| 60A | 3BU60R |
| 63A | 3BU63R |



B, C and D Trip, Less than 10A



B, C and D Trip, 10A and higher



| | |
|--|--|
| Voltage Rating | 480Y/277VAC |
| Short Circuit Withstand Rating (UL - Ratings) | 0.5-6A (RC): 10kA with no back-up fuse 8-63A (RC): 10kA with UL-listed Class J back-up fuse; 5kA with no back-up fuse |
| Interrupting Capacity (IEC/EN60898/60947-2) | 0.5-63A (RC): 10kA |
| Calibration Temperature | 30°C (86°F) |
| Operating Temperature | -25° to 60°C (-13° to 140°F) |
| Storage Temperature | -25° to 75°C (-13° to 167°F) |
| Terminal Size Acceptability: | |
| Solid Wire | 18 AWG -10 AWG |
| Stranded Wire | 18 AWG -3 AWG (Line/Load reversible) |
| Terminal Torque | 2.8 Nm (25 lb-in.) |
| Terminal Protection Degree | IP20 |
| Vibration Resistance | 3g (18-50Hz) |

SHORT CIRCUIT WITHSTAND RATINGS FOR R-SERIES SUPPLEMENTARY PROTECTOR

| Trip Curve | Amp Range | Backup Protection | |
|------------|-----------|-----------------------------------|--------------------------------|
| | | UL-Listed Class J Fuse up to 10kA | No Backup Fuse Required up to: |
| All | 0.5 - 6A | 4xRC* | 10kA |
| All | 8 - 63A | 4xRC* | 5kA |

*up to nearest rated current