

Precision Test Adapters

1.0 mm(M) to 1.85 mm(M)

Withwave's Precision Test Adapters are designed based on precision microwave interconnection technologies. This 1.0 mm(M) to 1.85 mm(M) adapter is manufactured to precise microwave specifications and constructed with male gender on both sides. The precision microwave connector interfaces ensure an excellent microwave performance up to 67 GHz



■ Features

- Frequency range : DC to 67 GHz
- VSWR : 1.2: 1(Max) @ 67 GHz
- Stainless steel (passivated)

■ Specification

| Scope | Specification | AD00M01MS1 |
|------------|----------------------|-------------------------------|
| Electrical | Impedance(Ohm) | 50 |
| | Operation Freq.(GHz) | DC to 67 GHz |
| | VSWR (Max) | 1.2 : 1 |
| Material | Dielectric | Special dielectric |
| | Center Contact | Brass with gold plated |
| | Body | Passivated Stainless Steel |

* RoHS Compliant

Precision Test Adapters

1.0 mm(M) to 1.85 mm(M)

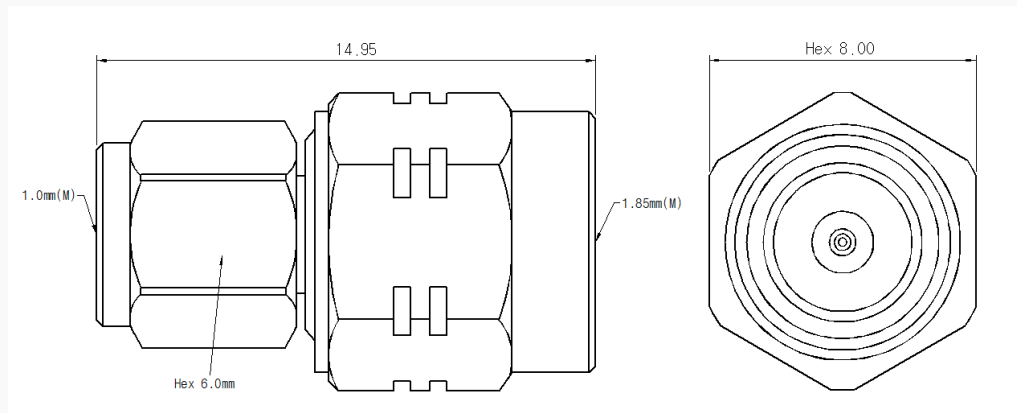
withwave

Versatile RF & MW Test Solutions

■ Drawing

Part No.: AD00M01MS1

Unit : mm



■ Test Result

▪ Frequency : 10 MHz to 67 GHz

