

Precision Test Adapters

SMA(F) to SMA(F)

Withwave's Precision Test Adapters are designed based on precision microwave interconnection technologies. This SMA(F) to SMA(F) adapter is manufactured to precise microwave specifications and constructed with female gender on side 1 and female gender side 2. The precision microwave connector interfaces ensure an excellent microwave performance up to 18 GHz



■ Features

- Frequency range : DC to 18 GHz
- VSWR(Max) : 1.15 : 1
- Stainless steel (passivated)

■ Specification

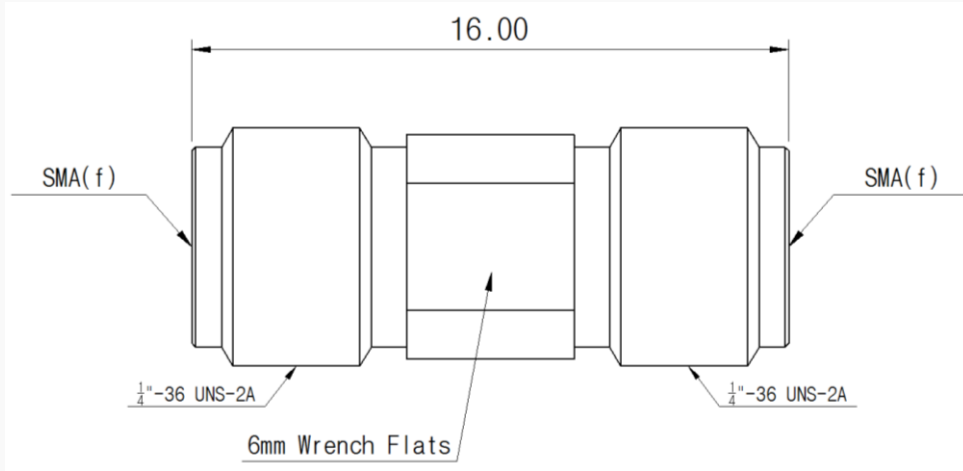
Scope	Specification	AD06F06FS1
Electrical	Impedance(Ohm)	50
	Operation Freq.(GHz)	DC to 18 GHz
	VSWR (Max)	1.15 : 1
Material	Dielectric	PTFE
	Center Contact	Beryllium copper with gold plated
	Body	Passivated Stainless Steel

* RoHS Compliant

■ Drawing

Part No.: AD06F06FS1

Unit : mm



■ Test Result

