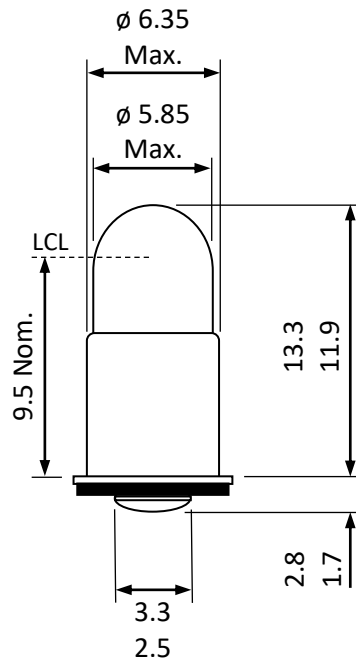


Part Number: 385

Type	Size	Rating	Description
Incandescent	T6	28V 40mA	T-1¾ Midget Flange Lamp



Dimensions in millimetres (Not to scale)

TEST VOLTS	CURRENT (mA)			LIGHT OUTPUT (Lm)			LIFE Hours
	Min.	Nom.	Max.	Min.	Nom.	Max.	
28	36	40	44	1.9	2.5	3.1	20,000

Notes:

- 1 **Base Type** Nickel plated SX6s base to BS EN 60061-1
- 2 **Filament Shape** C-2F
- 3 **Lamp Marking** CML385 28V 40mA engraved or durable ink stamped on base shell
- 4 **Environmental** RoHS & REACH SVHC compliant