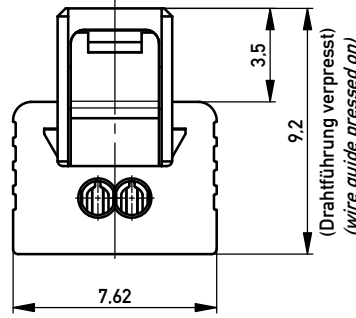
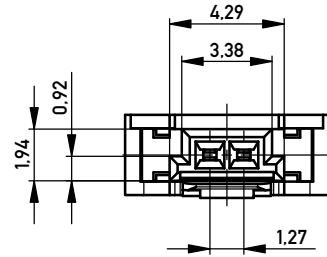


Kabelführung: rot  
cable guide: red

mit aufgesetzter Drahtführung  
(Anlieferungszustand)  
with wire guide mounted  
(state at time of supply)

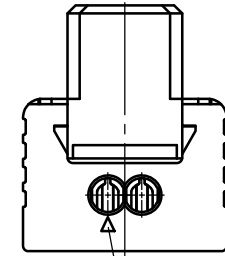
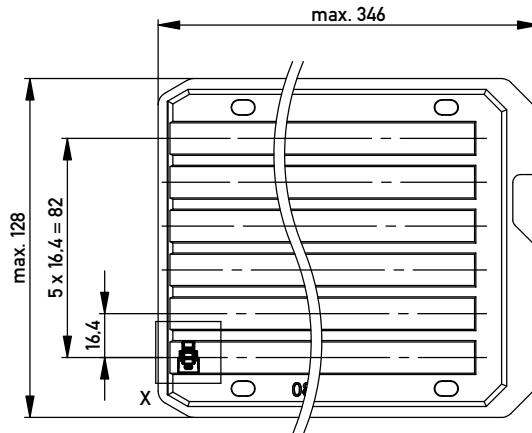
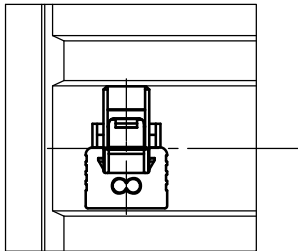


(Drahtführung verpresst)  
(wire guide pressed on)



Verpackt in Tray - tray packaging  
Verpackungseinheit 240 Stück - packaging unit 240 pcs

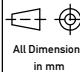

Einzelheit X - detail X  
M 2:1



Kontaktbezeichnung  
contact marking

\* Federkontakt AWG 22 - Female Contact AWG 22  
Kabelführung  $\phi 1,27$  - cable guide  $\phi 1,27$

für Einzeladern AWG 22, nur mit Hilfsmittel lösbar  
for single conductors AWG 22, only with tool unlockable

Information:	Tolerances	 All Dimensions in mm	Scale	5:1
			Designation	
All rights reserved. Only for Information. To ensure that this is the latest version of this drawing, please contact one of the ERNI companies before using.		Subject to modification without prior notice. Drawing will not be updated.	<b>1,27 SRC P SKV, 2-polig d=1,27</b> <b>1,27 SRC P IDC, 2-pin d=1,27</b>	
			 www.ERNI.com	
Index	Date	01.02.2012	<b>384529</b>	
Class			SRCP	

Copyright by ERNI GmbH  
Proprietary notice pursuant to ISO 9006 to be observed.

I  
A3