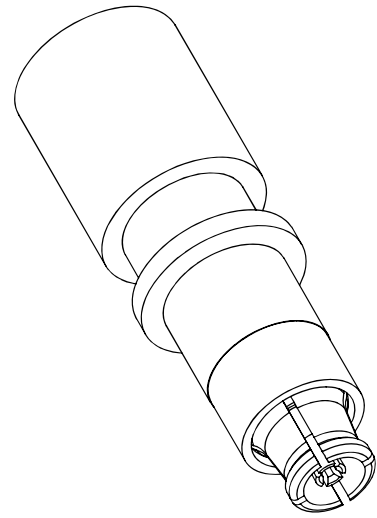
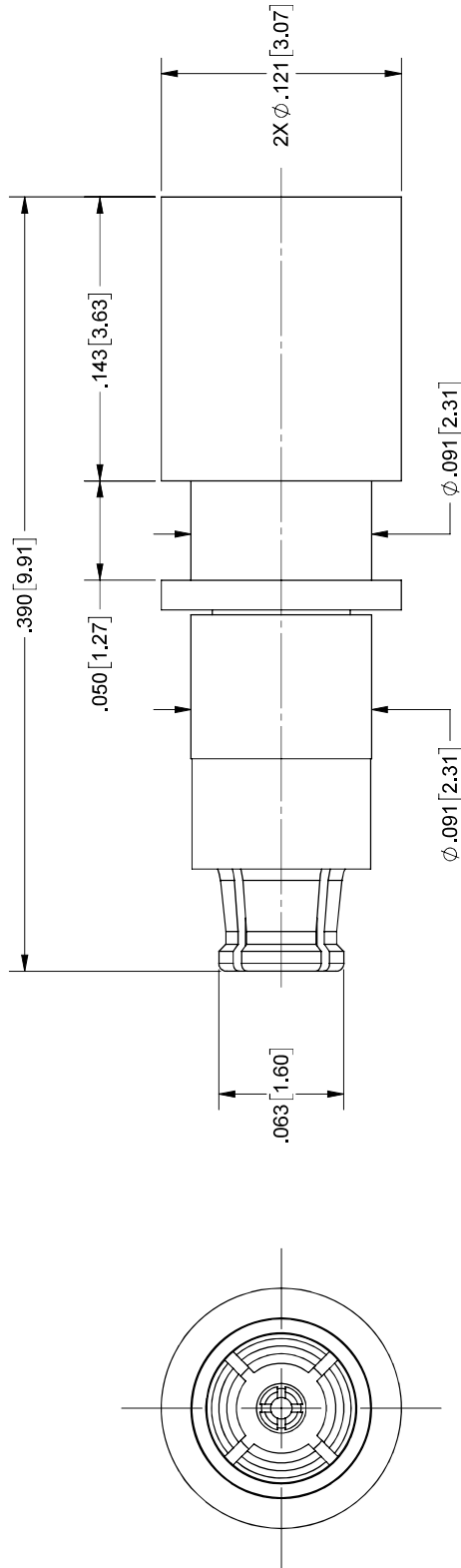


PRODUCT DATA DRAWING

REVISION HISTORY		DATE	APPROVED
REV	DESCRIPTION		
-	DCN 43145	03/17	GPF



MATERIAL:

BODY & CONTACT: BERYLLIUM COPPER PER ASTM B196, ALLOY No. UNS C17300, TD04

SLEEVE: STAINLESS STEEL PER ASTM B196, ALLOY No. UNS C17300, TD04

INSULATOR: PTFE PER ASTM D1710, TYPE I, GRADE 1, CLASS B

FINISH:

BODY & CONTACT: GOLD PER ASTM B488, TYPE II, CODE C, CLASS 1.27, OVER NICKEL PER AMS-QQ-N-290, CLASS 1, .00005" MIN.

SLEEVE: PASSIVATED PER AMS-2700.

PERFORMANCE:

IMPEDANCE: 50 OHMS

MATERIAL:	SEE NOTES	DIMENSIONS ARE IN INCHES TOLERANCES:	UNLESS OTHERWISE SPECIFIED	SV Microwave, Inc. 2400 Centrepark West Drive, Suite 100 West Palm Beach, FL 33409 SMPS FEMALE FOR Ø.065 CABLE
FINISH:	SEE NOTES	FRACTIONAL: ±1/64 ANGULAR: X° ±1'0"	1) ALL DIMENSIONS ARE IN INCHES (MILLIMETERS) 2) BREAK CORNERS & EDGES, 0.015" R MAX. 3) SURFACE FINISH, 320 4) SURFACE FINISH, 320 5) SURFACE FINISH, 320 6) ALL DIMENSION CENTERS TO BE CONCENTRIC 7) REMOVE ALL BURRS	
SURFACE AREA:	N/A	DECIMAL: .XX ±.000 .XXX ±.005 PER ASME Y14.5M - 1994	DRAWN: VB 03/03/17 CHECKED: GPF 03/03/17 APPROVED: GPF 03/03/17	TITLE: SIZE: CAGE CODE DWG. NO. 3821-40027 B 95077
PROPRIETARY THE INFORMATION CONTAINED IN THIS DRAWING IS THE SOLE PROPERTY OF SV MICROWAVE, INC. ANY REPRODUCTION IN PART OR AS A WHOLE WITHOUT THE WRITTEN PERMISSION OF SV MICROWAVE, INC. IS PROHIBITED.		INTERPRET DIMENSIONS AND TOLERANCES PER ASME Y14.5M - 1994 THIRD ANGLE PROJECTION	SCALE: 16:1 SHEET 1 OF 1	