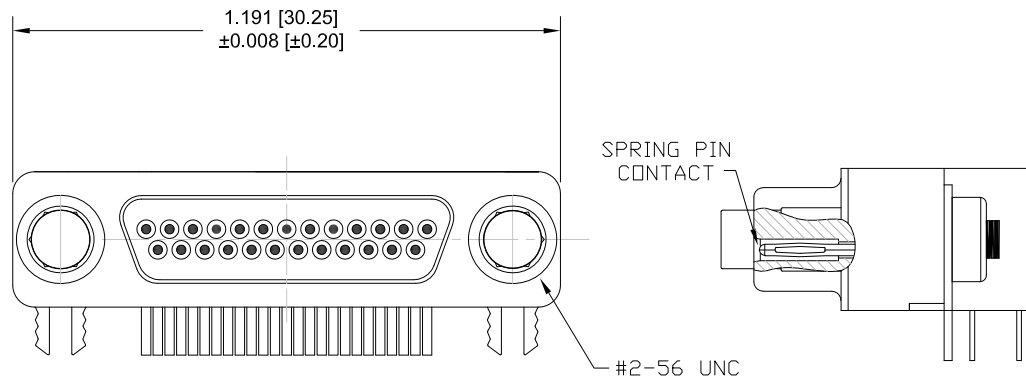


DESCRIPTION: MICRO D-SUB CONNECTOR - MALE - RIGHT ANGLE



NOTE:

MATERIAL

INSULATOR
CONTACT

THERMOPLASTIC 94V-0
COPPER ALLOT, NICKEL UNDERPLATE
15u" GOLD MATING AREA
TIN ON SOLDER TAILS
TIN PLATED STEEL

SHELL

ELECTRICAL

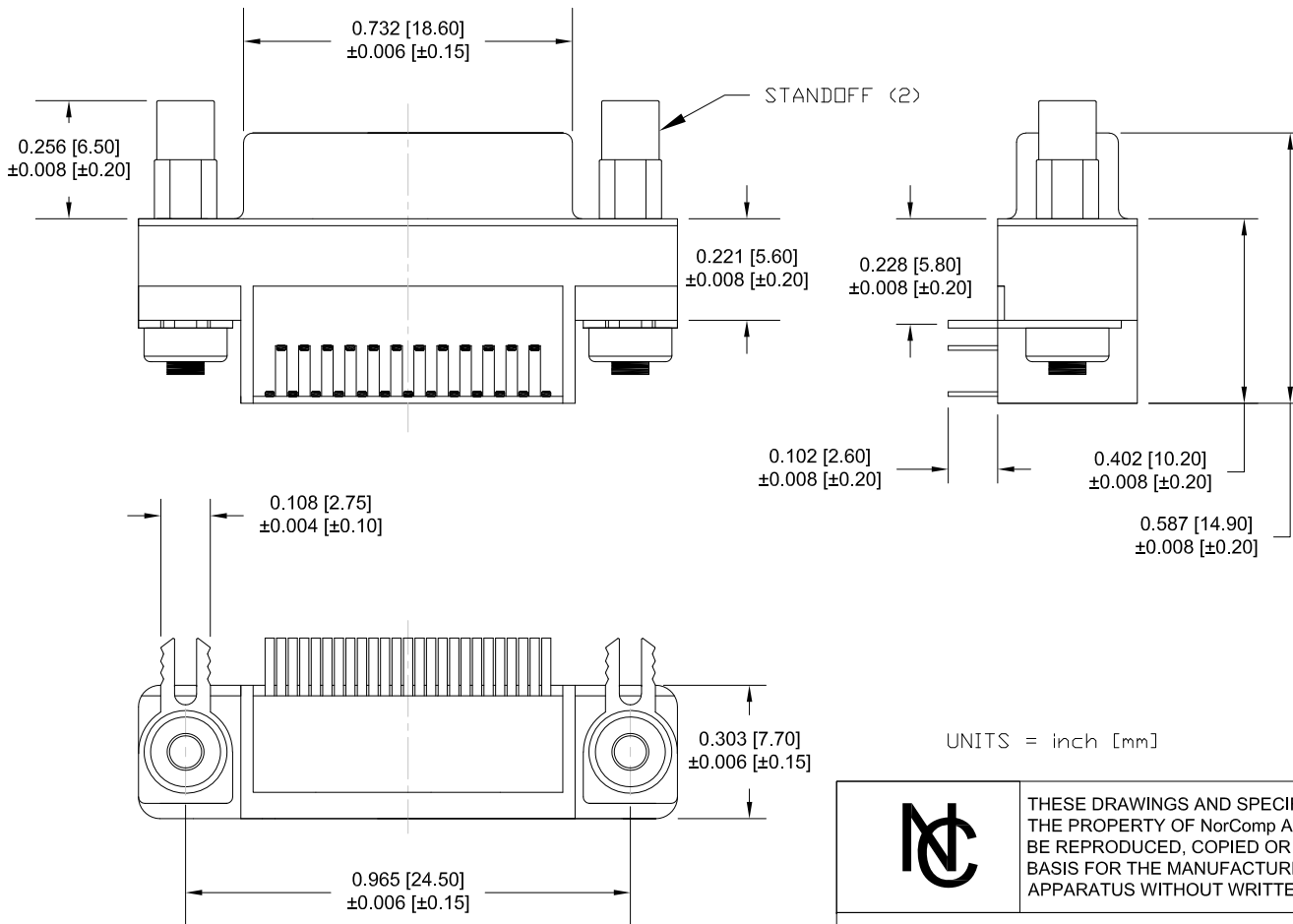
RATED CURRENT
D.W.V.
INSULATOR RESISTANCE
CONTACT RESISTANCE

1A
500 VAC 1 MIN
1000 MOhms MIN.
45 mOhms MAX.

ENVIRONMENT

OPERATION TEMPERATURE -55°C TO +85°C

2.5in-lbs torque max for standoffs



381-025-112L5Y5

- SERIES
- POSITIONS
- GENDER
1 = MALE
- TERMINATION
1 = DIP SOLDER
- SHELL PLATING
2 = TIN
- RoHS COMPLIANT
- HARDWARE OPTIONS
1 = BOARDLOCKS ONLY
6 = STANDOFFS & BOARDLOCKS
- PLATING OPTIONS
5 = 15u" GOLD PLATING


NOTE:

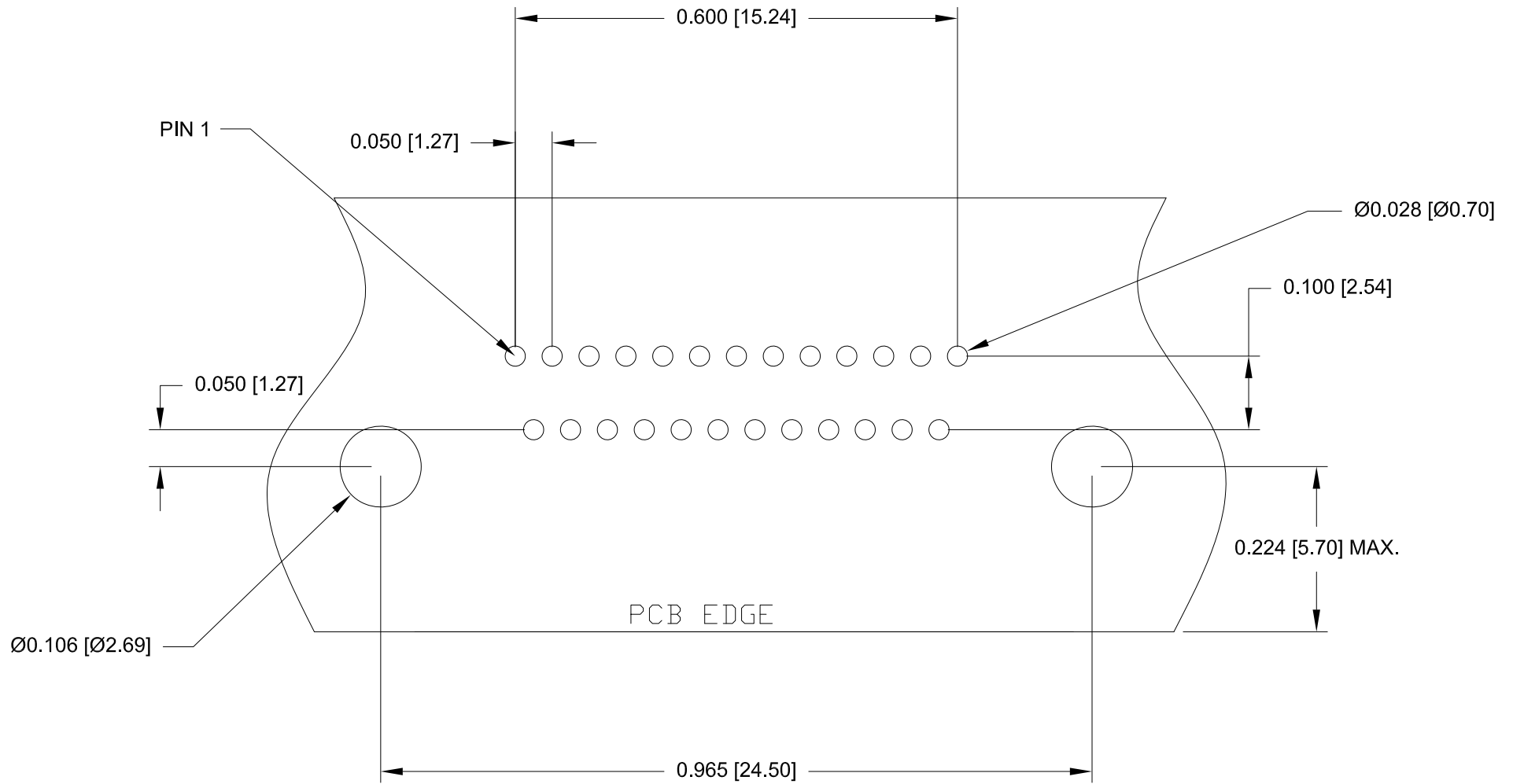
**NOT DESIGNED TO MATE WITH NORCOMP 580-M // 581-M SERIES CONNECTORS. IF ANY QUESTIONS PLEASE CONTACT ENG@NORCOMP.NET

UNITS = inch [mm]

DO NOT SCALE FROM DRAWING

RoHS COMPLIANT


	THESE DRAWINGS AND SPECIFICATIONS ARE THE PROPERTY OF NorComp AND SHALL NOT BE REPRODUCED, COPIED OR USED AS THE BASIS FOR THE MANUFACTURE OF SALE OF APPARATUS WITHOUT WRITTEN PERMISSION.		DRAWN: M. SIGMON	DATE: 08-22-11
	<h1>NorComp</h1>		SCALE: NTS	SHEET 1 OF 2
			DWG NO.	381-025-112L565



RECOMMENDED PC BOARD LAYOUT
(25 POSITION ONLY) TOLERANCE ± 0.002 [± 0.05]

DO NOT SCALE FROM DRAWING

UNITS = inch [mm]

	THESE DRAWINGS AND SPECIFICATIONS ARE THE PROPERTY OF NorComp AND SHALL NOT BE REPRODUCED, COPIED OR USED AS THE BASIS FOR THE MANUFACTURE OF SALE OF APPARATUS WITHOUT WRITTEN PERMISSION.		DRAWN: M. SIGMON	DATE: 08-22-11
	NorComp		SCALE: NTS	SHEET 2 OF 2
DWG NO.			381-025-112L565	

RoHS COMPLIANT