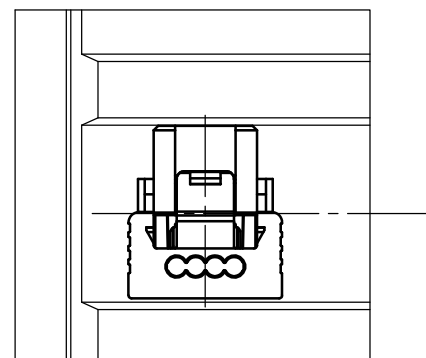
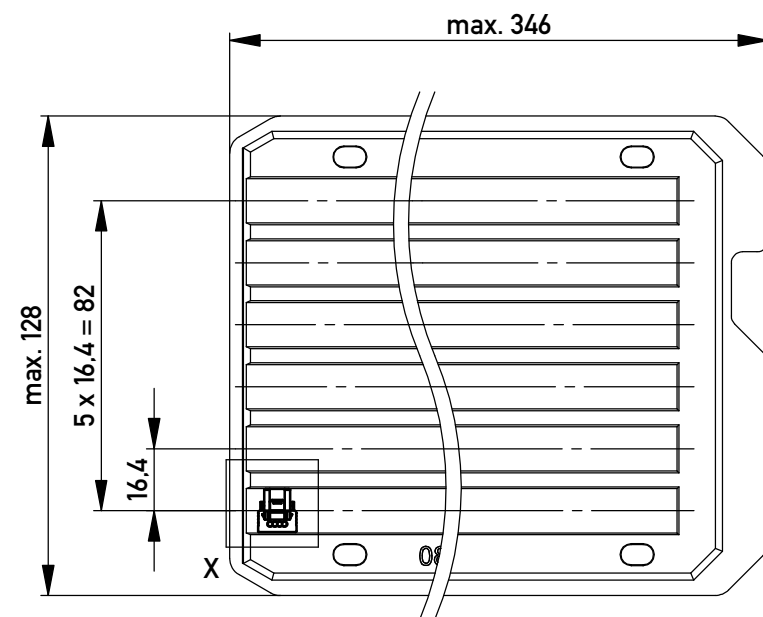


Einzelheit X - detail X
M 2:1



Verpackt in Tray - tray packaging
Verpackungseinheit 180 Stück - packaging unit 180 pcs



* Federkontakt AWG 22 - Female Contact AWG 22
Kabelführung $\varnothing 1,27$ - cable guide $\varnothing 1,27$

Information:		Tolerances	für Einzeladern AWG 22, nur mit Hilfsmittel lösbar for single conductors AWG 22, only with tool unlockable	
All rights reserved. Only for Information. To ensure that this is the latest version of this drawing, please contact one of the ERNI companies before using.		All Dimensions in mm	Scale	5:1
Subject to modification without prior notice. Drawing will not be updated.			Designation 1,27 SRC P SKV, 4-polig 1,27 SRC P IDC, 4-pin	
www.ERNI.com		374209		I
Index	02.02.2012 Date	Class		A3
		SRCP		

Copyright by ERNI GmbH
Proprietary notice pursuant to ISO 16016 to be observed.