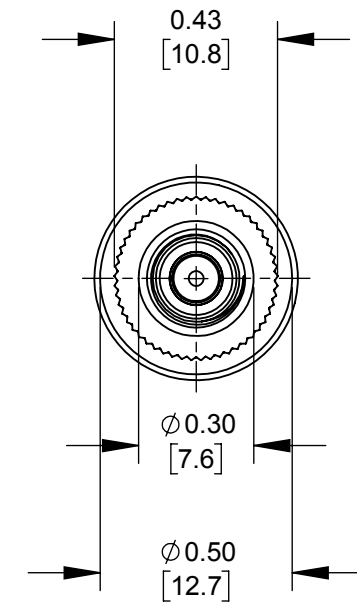
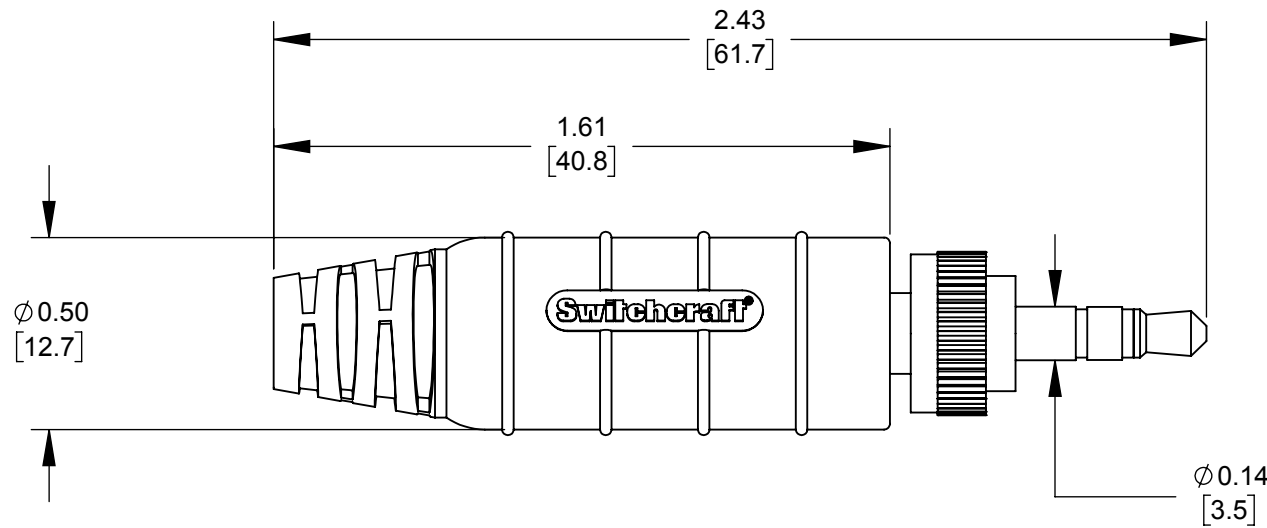
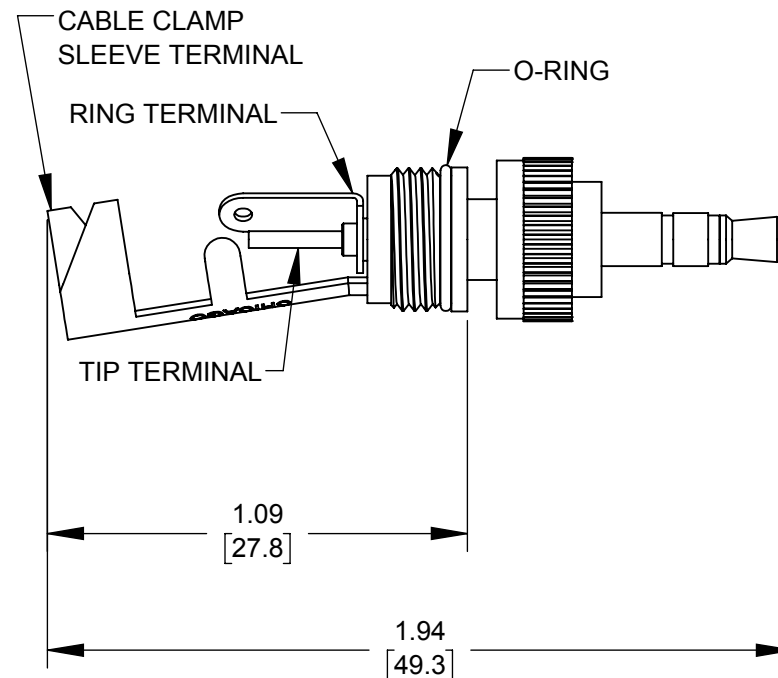
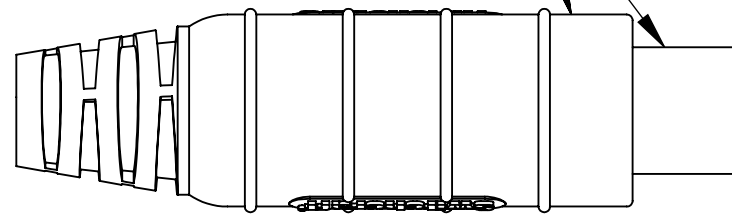


"A" REF
CABLE HOLE
SEE TABLE



OVERMOLDED HANDLE & TUBULAR INSULATOR
SHIPPED UNASSEMBLED



3 5 H D L S

LOCKING
SEALED

CABLE OD RANGE
12 - 0.125" - 0.150"
15 - 0.150" - 0.175"
17 - 0.175" - 0.210"

PLUG FINISH
N - TIN PLATED
AU - GOLD PLATED

NOTES:

1. SPECIFICATIONS:

- CONTACT RESISTANCE: 20 MILIOHMS MAX.
- DIELECTRIC WITHSTANDING VOLTAGE - 250 VAC MIN
- INSULATION RESISTANCE @ 500 VDC - 2,000 MEGAOHMS MIN
- MAX WORKING VOLTAGE - 250 VAC, 140VDC
- CURRENT CARRY @ WORKING VOLTAGE - 4 AMPS
- INSERT / WITHDRAWAL FORCE - TYPICAL 2.5/2 LBS
- TEMPERATURE RANGE: -20°C TO 85°C (OPERATING)
- PASSES IP67 & IP68 AFTER:
- THERMAL SHOCK - MIL-STD-202, METHOD 107G
- VIBRATION - MIL-STD-202, METHOD 201
- LIFE - 5,000 CYCLES

2. MATERIALS:

- PLUG BODY, TIP ROD & RING - COPPER ALLOY, TIN OR GOLD PLATED
- PLUG INSULATION - THERMOPLASTIC, BLACK
- RING TERMINAL - COPPER ALLOY, TIN PLATED
- CABLE CLAMP - STEEL, TIN PLATED
- COUPLING RING - COPPER ALLOY, NICKEL PLATED
- HANDLE - COPPER ALLOY, NICKEL PLATED
- OVERMOLDED THERMOPLASTIC
- TUBULAR INSULATOR - MYLAR

3. THESE PRODUCTS ARE RoHS COMPLIANT.

CUSTOMER DRAWING

					THIS DRAWING DESCRIBES A DESIGN CONSIDERED PROPRIETARY IN NATURE, DEVELOPED AND MANUFACTURED BY SWITCHCRAFT INC. AND IS RELEASED ON A CONFIDENTIAL BASIS FOR IDENTIFICATION PURPOSES ONLY.					
					UNLESS OTHERWISE SPECIFIED	SIZE *	WIDTH *	MULT *	LBS/M *	TEMPER *
					1. ALL DIMENSIONS IN INCHES [mm]	FINISH *			MATERIAL *	
					- TWO PLACE DECIMALS ±0.02 [0.5]	SPEC No. *			SPEC No. *	
					- THREE PLACE DECIMALS ±0.005 [0.13]	FIRST USED ON *		SCALE 1:1		
						DATE DRAWN	BY	CHKD	APVD	
						05/17/18	AM	*	*	
						NAME 3.5MM LOCKING SEALED STEREO PLUG, RoHS			PART No. 35HDLS SERIES	
									REV 0A	
REVISIONS					DO NOT SCALE DRAWING					