



WEIGHT

.37g/cm (.033 oz/in)

MATERIALS AND FINISH

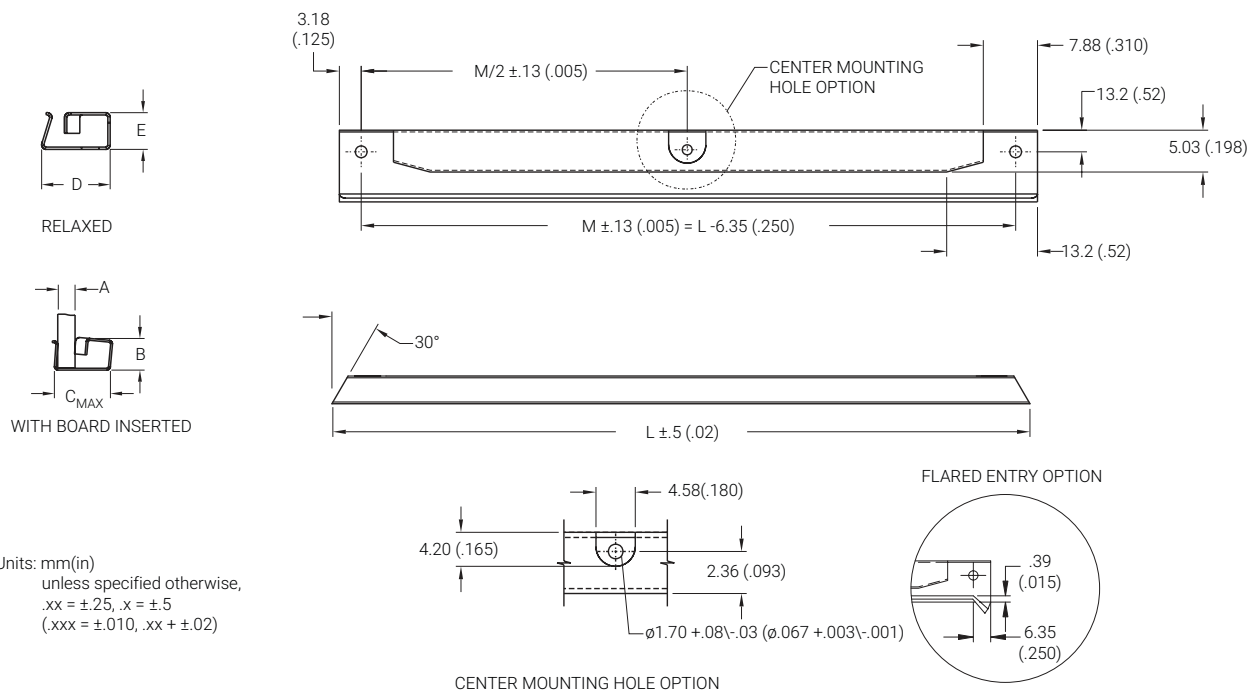
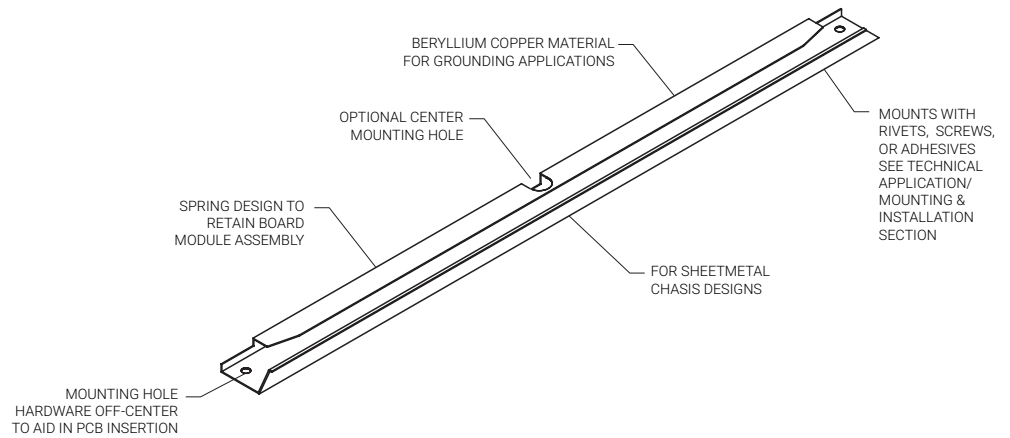
HOUSING

Material:

.008-in. (.20-mm) thick
Beryllium Copper per
ASTM B-194 or Stainless
Steel per ASTM A-366

Finish:

See finish table on
opposite page



Units: mm(in)
unless specified otherwise,
.xx = ±.25, x = ±.5
(.xxx = ±.010, .xx = ±.02)

MATERIALS TABLE

CODE	
B	BERYLLIUM COPPER, 1/4H PER ASTM-B-194
BH	BERYLLIUM COPPER, 1/4H PER QQ-C-533, HEAT TREATED
CR	STAINLESS STEEL, TYPE 301 COND 1/4H PER AMS 5517

DIMENSION TABLE

CODE	BOARD THICKNESS				
	A	B	C MAX	D	E
-1	0.79 (.031)	3.31 (.130)	8.13 (.320)	7.57 (.298)	3.18 (.125)
-2	1.59 (.063)	3.31 (.130)	8.13 (.320)	7.57 (.298)	3.18 (.125)
-3	2.38 (.094)	3.31 (.130)	9.15 (.360)	7.57 (.298)	3.18 (.125)
-4	3.18 (.125)	3.31 (.130)	9.40 (.370)	8.87 (.349)	3.18 (.125)

FINISH TABLE

CODE	
-1	NONE
-3	CADMIUM PER QQ-P-416, TYPE 2, CLASS 2
-5	GOLD PLATE PER MIL-G-45204, TYPE 1, GLASS 1
-6	NICKEL PLATE PER QQ-N-290, CLASS 1, GRADE G, BRIGHT
-7	ZINC PLATE CLEAR CHROMATE, PER ASTM-B-633, Fe/Zn 8
-8	ZINC PLATE YELLOW CHROMATE, PER ASTM-B-633, Fe/Zn 8

NO DASH NUMBER REQUIRED FOR CR MATERIAL. STAINLESS STEEL PARTS ARE PASSIVATED ONLY.

Part Number Code

35 C F -2 B - 2 - 10 - 5

Center Mounting Hole
 Center Mounting Hole _____ **C**
 None _____ **[Blank]**

Flared Entry
 Flared Entry _____ **F**
 None _____ **[Blank]**

Material
 Beryllium Copper _____ **B**
 or select from Materials Table

Board Thickness
 1.59(.063) PCB Thickness _____ **2**
 or select from Dimension Table

Length
 Length in 12.7 (.50) increments _____ **4 [50.8 (2.00)]**
 _____ to 20 **[254.0 (10.00)]**

Finish
 Gold Plate _____ **5**
 or select from Finish Table

Part number code examples: 35C-2B-2-8-7

Series 35-2 low Profile PCB-TAINER, Beryllium Copper, with Center Mounting Hole, .063-in (1.60-mm) thick board, 101.6-mm (4.00-in.) long, Zinc Plate Clear Chromate finish.

