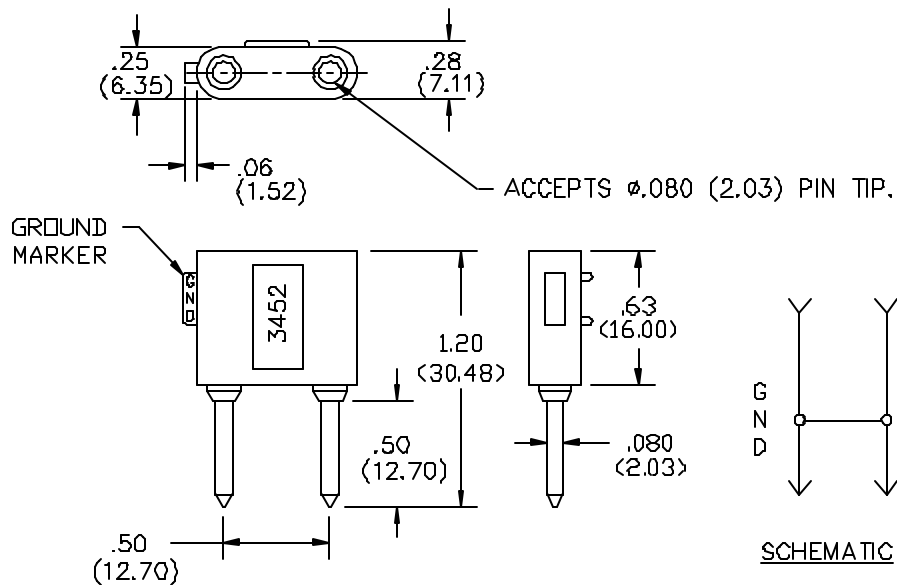


## Model 3452 Miniature Double Pin Tip Plug With Shorting Bar



### FEATURES:

- Ideal for providing a jumper on pin jack test boxes or panels.
- Mates with Model #4543 or any other standard .080" pin jack.

### MATERIALS:

Upper Conn: Double Pin Tip Jack

Material: Jack body – Brass per QQ-B-626, Alloy 360, 1/2/ Hard.

Spring: Beryllium Copper per QQ-C-533, Alloy 172, Cond. H.T.

Finish: Gold plated per MIL-G-45204, Type II, Class 00 over electroless nickel per MIL-C-26074, Class 1, 200/300 micro-inches.

Insulation: ABS molded to Pin Jacks and bodies.

Marking: "POMONA ELECTRONICS, CALIF." And "SHORTING BAR".

Color: See Ordering Information.

Lower Conn: Double Pin Tip Plug

Material: Body – Brass per QQ-B-626, Alloy 360, 1/2 Hard

Finish: Same as jack above

### RATINGS:

Operating Temperature: +50°C. (+122°F.) Max.

Operating Voltage: 3000 VDC

Current: 5 Amperes

**ORDERING INFORMATION:** Model 3452-\*

\*= Color, -0 Black, -2 Red

Ordering Example: 3452-2 Color is Red

All dimensions are in inches. Tolerances (except noted): .xx = ±.02" (.51 mm), .xxx = ± .005" (.127 mm).

All specifications are to the latest revisions. Specifications are subject to change without notice.

Registered trademarks are the property of their respective companies. Made in USA