



Changeover operating mechanism for vacuum contactor 3RT126 AC (50...60 Hz) / DC operation, 200 ... 277 V, Drive: electronic with PLC input 24 V DC screw terminal

General technical data	
product brand name	SIRIUS
product designation	Magnet coil
Control circuit	
type of voltage of the control supply voltage	AC/DC
control supply voltage	
<ul style="list-style-type: none"> • 2 at AC <ul style="list-style-type: none"> — at 50 Hz rated value 277 V — at 60 Hz rated value 277 V 	
control supply voltage	
<ul style="list-style-type: none"> • 2 at DC rated value 277 V 	

Certificates/ approvals		
General Product Approval	EMC	Declaration of Conformity

[Confirmation](#)



Test Certificates	Marine / Shipping	other
-------------------	-------------------	-------

[Special Test Certificate](#)



[Confirmation](#)

other	Railway
-------	---------

[Miscellaneous](#)

[Special Test Certificate](#)

Further information

Information- and Downloadcenter (Catalogs, Brochures,...)

<https://www.siemens.com/ic10>

Industry Mall (Online ordering system)

<https://mall.industry.siemens.com/mall/en/en/Catalog/product?mlfb=3RT1966-5NP31>

Cax online generator

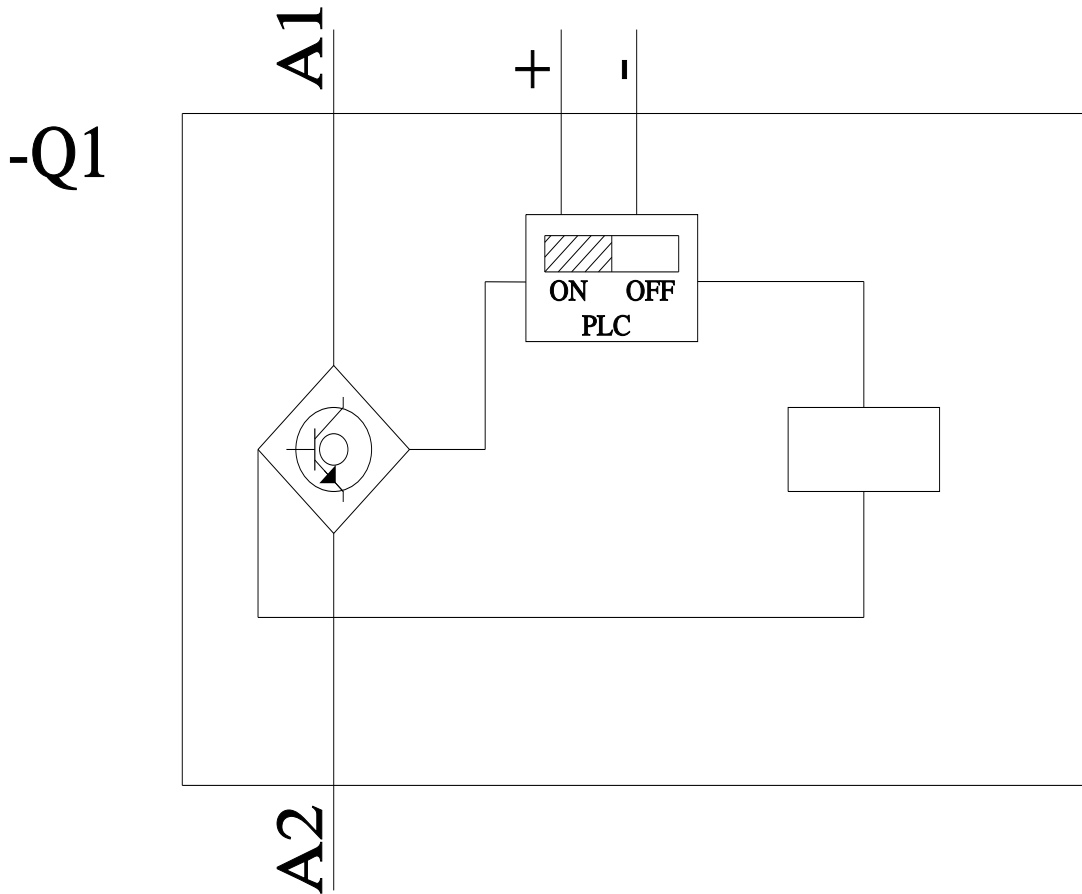
<http://support.automation.siemens.com/WW/CAXorder/default.aspx?lang=en&mlfb=3RT1966-5NP31>

Service&Support (Manuals, Certificates, Characteristics, FAQs,...)

<https://support.industry.siemens.com/cs/ww/en/ps/3RT1966-5NP31>

Image database (product images, 2D dimension drawings, 3D models, device circuit diagrams, EPLAN macros, ...)

http://www.automation.siemens.com/bilddb/cax_de.aspx?mlfb=3RT1966-5NP31&lang=en



last modified:

1/18/2021 