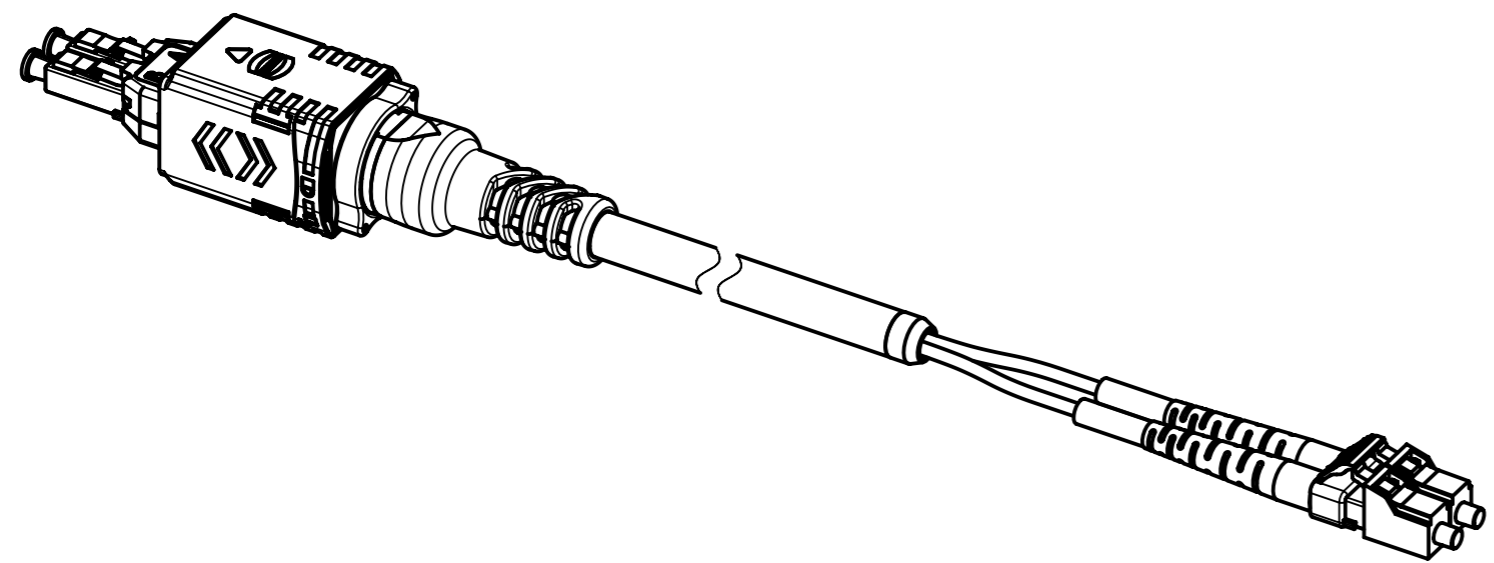
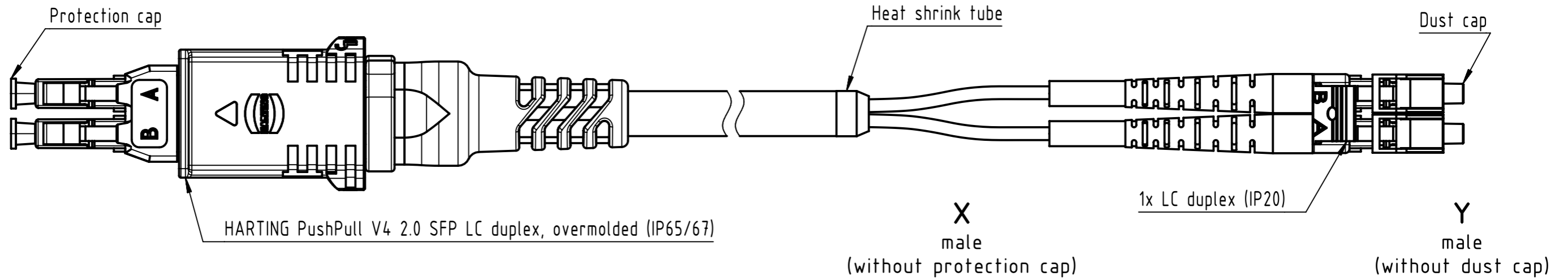
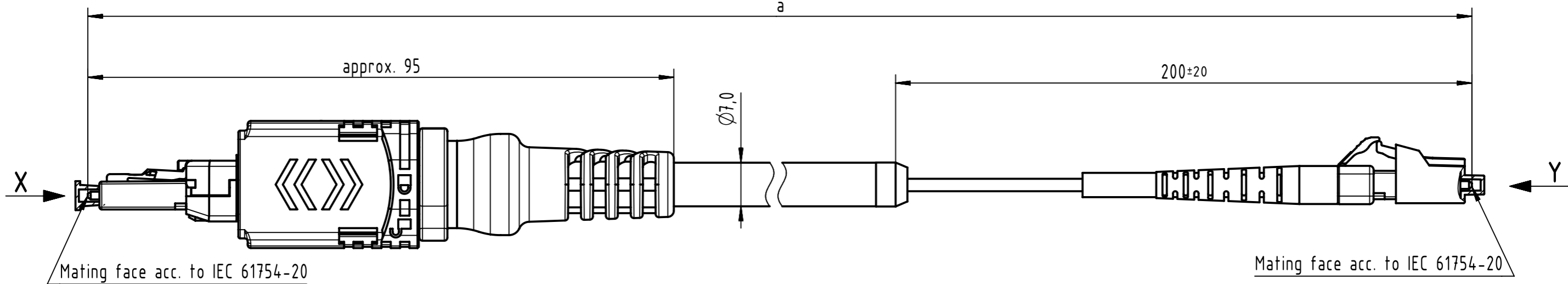
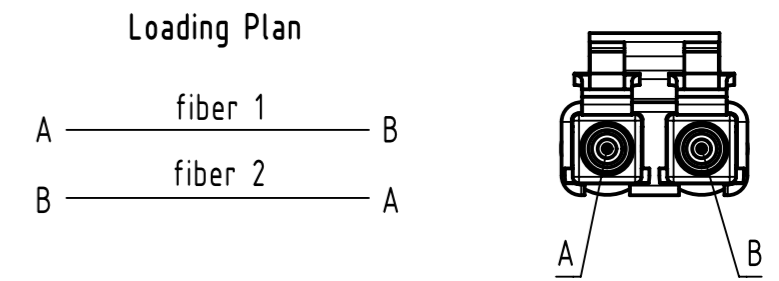
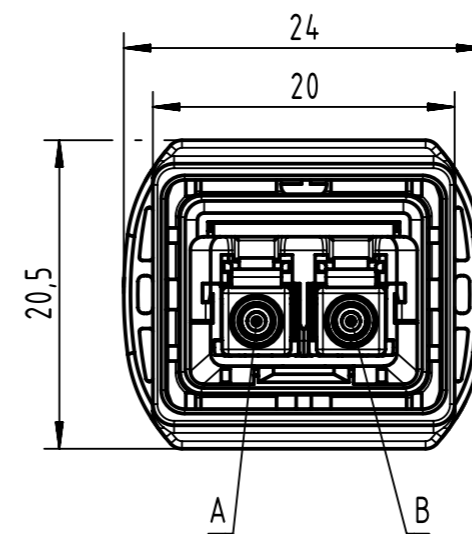


Connector Location A


Connector Location B



- Temperature range: -40°C ... +85°C



	All rights reserved	Created by 402676 Gross	Inspected by 402676 Gross	Standardisation COSTEA Costea	Date 2022-08-31	State Final Release
	Department HCS - RO	Title FO CA PP2-LCdx, 62.5µ, OM1, PUR			Doc-Key / ECM-Nr. 100677882/UGD/009/F 500000219506	
HARTING Customised Solutions D-32339 Espelkamp		Type TB	Number 3361431XXX0003		Rev. F	Page 1/2

1	2	3	4	5	6	7	8
A							
B							
C							
D							
E							
F							
27	3361431100003	FO breakout cable, MM, 2-channel, 62.5/125µm, PUR, black	100	±1%	 All rights reserved Department HCS - RO HARTING Customised Solutions D-32339 Espelkamp	Created by 402676 Gross Inspected by 402676 Gross Standardisation COSTEA Costea Date 2022-08-31 State Final Release Title FO CA PP2-LCdx, 62.5µ, OM1, PUR Type TB Number 3361431XXX0003 Doc-Key / ECM-Nr. 100677882/UGD/009/F 500000219506 Rev. F Page 2/2	All Dimensions in mm Tech. Character. Free size tol. According to production drawing
26	3361431090003		90				
25	3361431080003		80				
24	3361431070003		70				
23	3361431060003		60				
22	3361431050003		50				
21	33614310450003		45				
20	3361431040003		40				
19	33614310350003		35				
18	3361431030003		30				
17	33614310250003		25				
16	3361431020003		20				
15	33614310150003		15				
14	33614310140003		14				
13	33614310130003		13				
12	33614310120003		12				
11	33614310110003		11				
10	3361431010003		10				
9	33614310090003		9				
8	33614310080003		8				
7	33614310070003		7				
6	33614310060003		6				
5	33614310050003		5				
4	33614310040003		4				
3	33614310030003		3				
2	33614310020003		2	±0.03			
1	33614310010003		1				
Cont. no.	Part no.	Type of cable	Dim. a[m]				