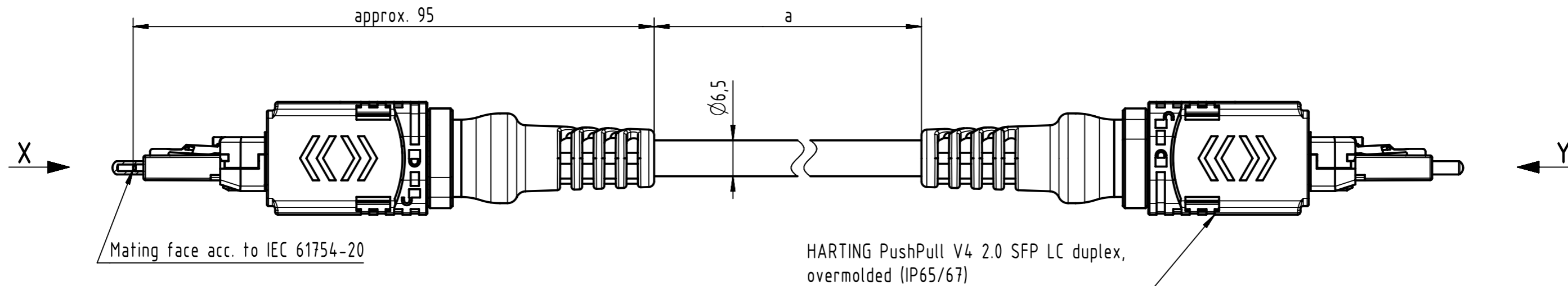
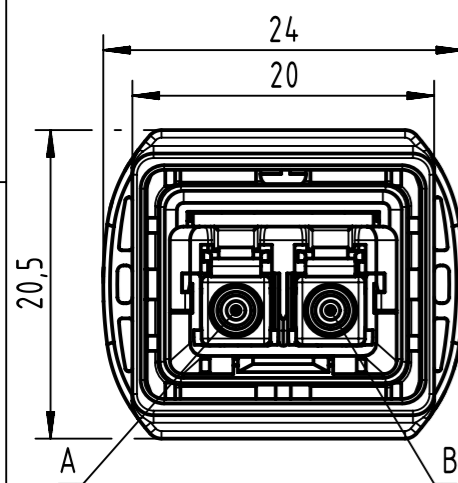


Connector Location A

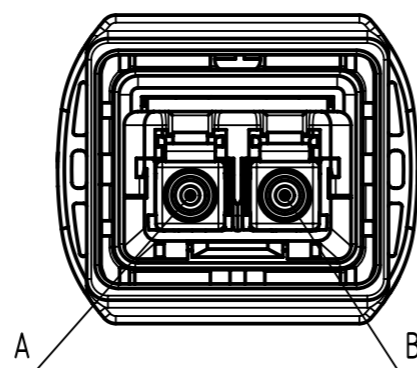
Connector Location B



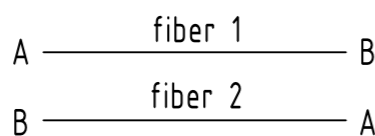
X
male
(without protection cap)



Y
male
(without protection cap)




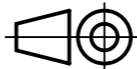

Loading Plan



- Temperature range: -40°C ... +85°C

	All rights reserved	Created by 402676 Gross	Inspected by 405181 Hadar	Standardisation MUNTEANV Muntean	Date 2021-07-22	State Final Release
	Department HCS - RO	Title FO CA PP2-PP2, 50µ, OM3, PUR		Doc-Key / ECM-Nr. 100677808/UGD/006/E 500000199817		
HARTING Customised Solutions D-32339 Espelkamp		Type TB	Number 3361221XXX0002		Rev. E	Page 1/2

1	2	3	4	5	6	7	8		
A									
B									
	28	33612211500002	FO Breakout Cable, MM, 50/125µm, PUR, black, bend tolerant OM3	150					
	27	33612211000002		100					
	26	33612210900002		90					
	25	33612210800002		80					
	24	33612210700002		70					
	23	33612210600002		60					
C	22	33612210500002		50					
	21	33612210450002		45					
	20	33612210400002		40					
	19	33612210350002		35					
	18	33612210300002		30					
	17	33612210250002		25					
	16	33612210200002		20					
D	15	33612210150002		15					
	14	33612210140002		14					
	13	33612210130002		13					
	12	33612210120002		12					
	11	33612210110002		11					
	10	33612210100002		10					
	9	33612210090002		9					
E	8	33612210080002		8					
	7	33612210070002		7					
	6	33612210060002		6					
	5	33612210050002		5					
	4	33612210040002		4					
	3	33612210030002		3					
	2	33612210020002		2					
	1	33612210010002		1					
F	Cont. no.	Part no.	Type of cable	Dim. a[m]	 All rights reserved Department HCS - RO HARTING Customised Solutions D-32339 Espelkamp			Title FO CA PP2-PP2, 50µ, OM3, PUR Type TB Number 3361221XXX0002	Doc-Key / ECM-Nr. 100677808/UGD/006/E 500000199817 Rev. E Page 2/2
	1	2	3	4	5	6	7	8	

	All Dimensions in mm	Tech. Character.		Free size tol.		According to production drawing	
	All rights reserved Department HCS - RO	Created by 402676 Gross	Inspected by 405181 Hadar	Standardisation MUNTEANV Muntean	Date 2021-07-22	State Final Release	
		Title FO CA PP2-PP2, 50µ, OM3, PUR				Doc-Key / ECM-Nr. 100677808/UGD/006/E 500000199817	
		Type TB	Number 3361221XXX0002			Rev. E	Page 2/2