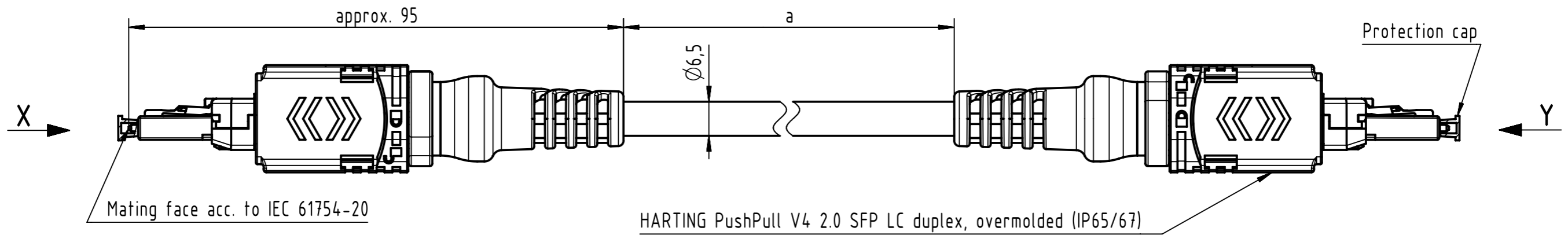
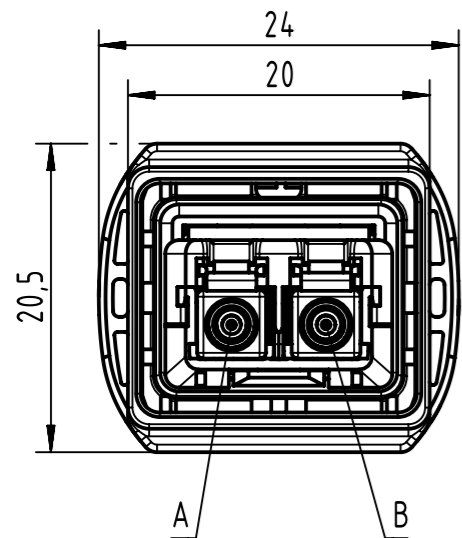


Connector Location A

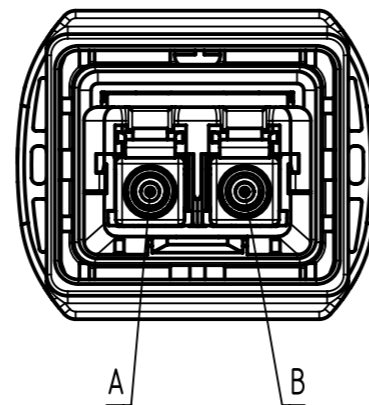
Connector Location B



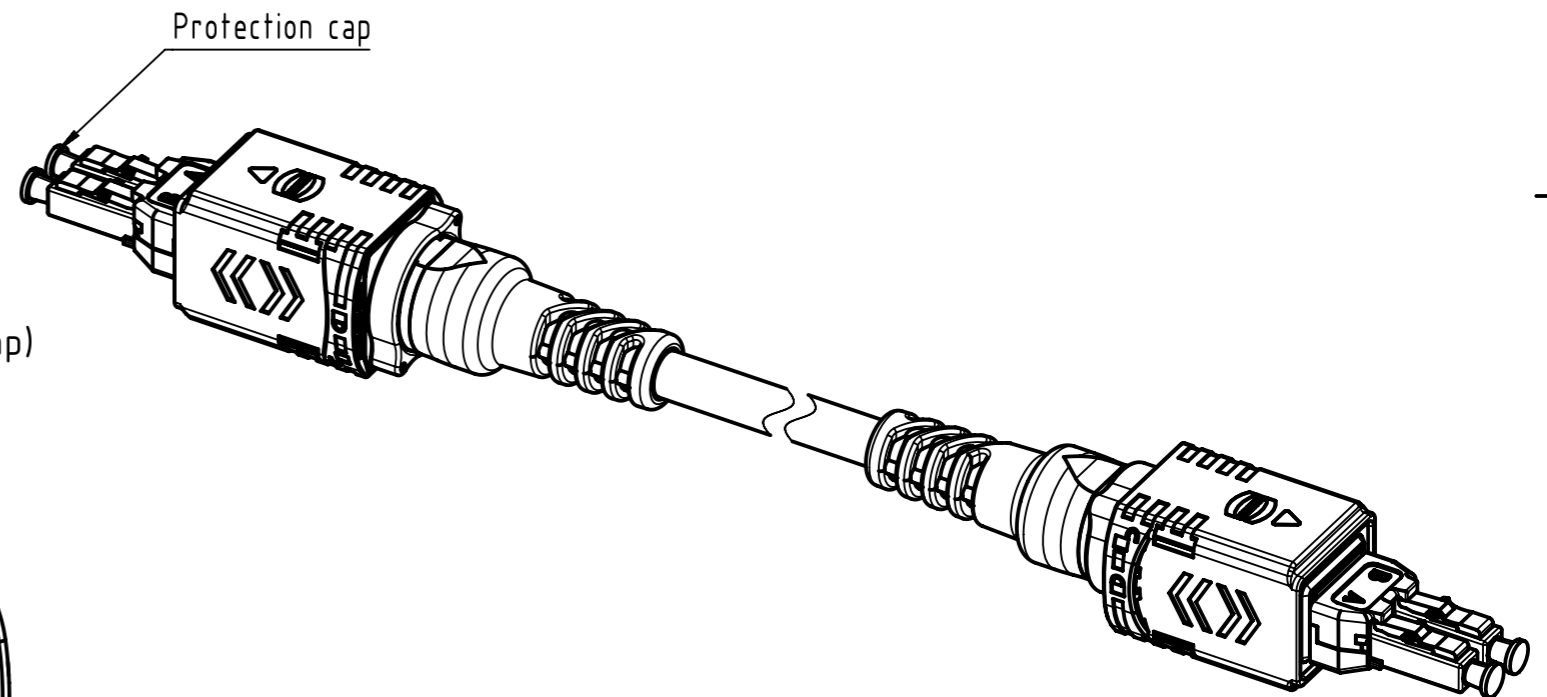
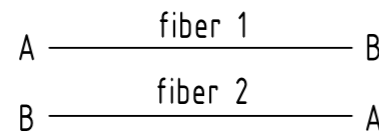
X
male
(without protection cap)



Y
male
(without protection cap)




Loading Plan



- Temperature range: -40°C ... +70°C

	All rights reserved		Created by 402676 Gross		Inspected by 402676 Gross		Standardisation COSTEA Costea		Date 2022-08-31		State Final Release	
	Department HCS - RO		Title FO CA PP2-PP2, 9µ, G657A1, PUR				Doc-Key / ECM-Nr. 100677727/UGD/006/E 500000219506		Rev. E		Page 1/2	
HARTING Customised Solutions D-32339 Espelkamp			Type TB		Number 3361221XXX0001							

1	2	3	4	5	6	7	8		
A								A	
B								B	
C	27	3361221100001	FO Cable, 2-channel, SM, 9/125µm, PUR, black	100	±1%				
	26	3361221090001		90					
	25	3361221080001		80					
	24	3361221070001		70					
	23	3361221060001		60					
	22	3361221050001		50					
	21	33612210450001		45					
	20	33612210400001		40					
	19	33612210350001		35					
	18	33612210300001		30					
	17	33612210250001		25					
	16	33612210200001		20					
	15	33612210150001		15					
	14	33612210140001		14					
	13	33612210130001		13					
	12	33612210120001		12					
	D	11		33612210110001		11	±0.03		
		10		33612210100001		10			
9		33612210090001	9						
8		33612210080001	8						
7		33612210070001	7						
6		33612210060001	6						
5		33612210050001	5						
4		33612210040001	4						
E	3	33612210030001	3						
	2	33612210020001	2						
	1	33612210010001	1						
F	Cont. no.	Part no.	Type of cable	Dim. a[m]					

	All rights reserved Department HCS - RO	Created by 402676 Gross	Inspected by 402676 Gross	Standardisation COSTEA Costea	Date 2022-08-31	State Final Release
HARTING Customised Solutions D-32339 Espelkamp		Title FO CA PP2-PP2, 9µ, G657A1, PUR		Doc-Key / ECM-Nr. 100677727/UGD/006/E 500000219506		Rev. E
		Type TB	Number 3361221XXX0001		Page 2/2	