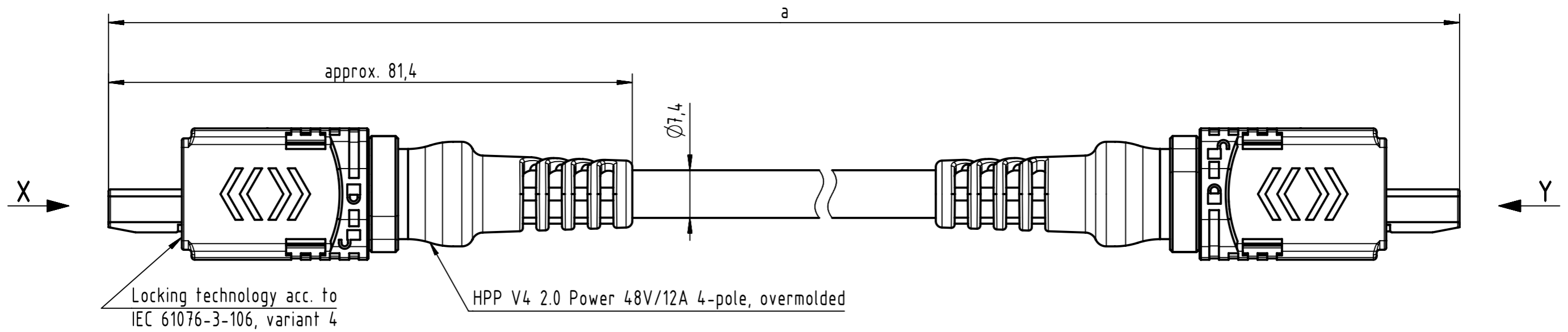


Connector Location A

Connector Location B

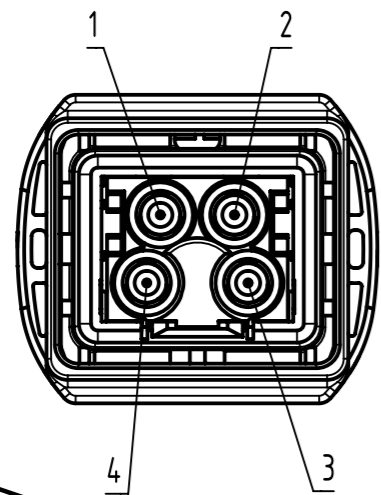


Locking technology acc. to IEC 61076-3-106, variant 4

HPP V4 2.0 Power 48V/12A 4-pole, overmolded

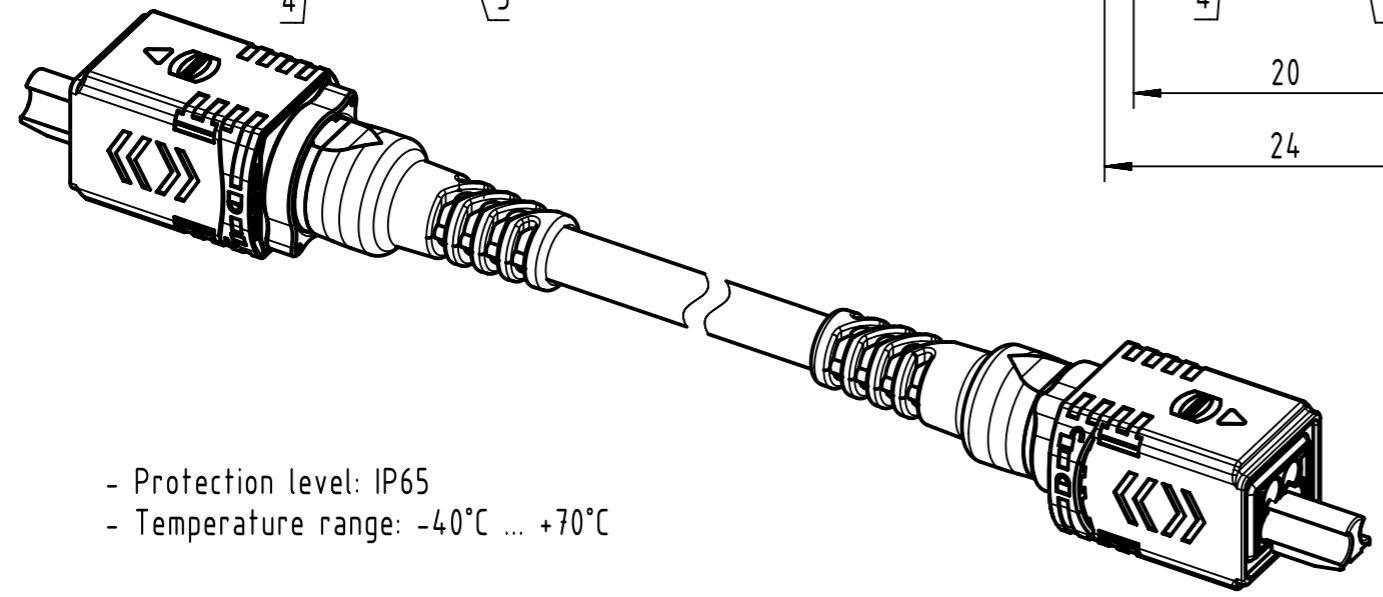
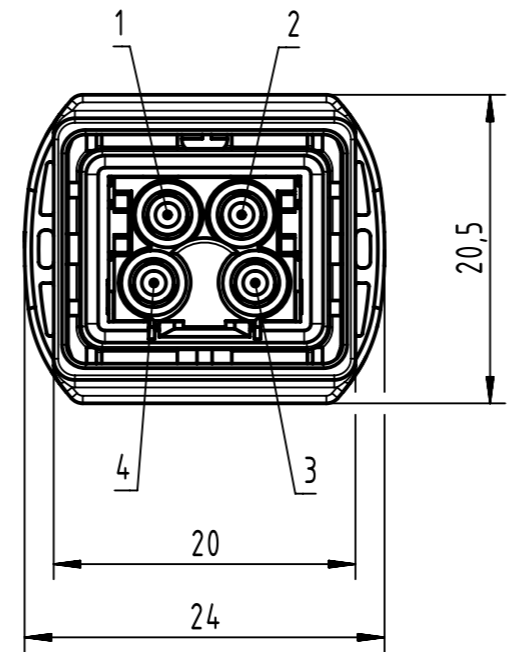
X male

Y male



Loading Plan

- 1 black 1
- 2 black 2
- 3 black 3
- 4 green/yellow



- Protection level: IP65  
- Temperature range: -40°C ... +70°C

6.0 to 100	±1%
0.6 to 5.9	+0.04
0.2 to 0.5	+0.02
<b>a [m]</b>	<b>Tolerance</b>

length in "1m" step	100	XXX=000
	99	XXX=990
	.	.
	12	XXX=120
	11	XXX=110
length in "0.1m" step	10	XXX=100
	9.9	XXX=099
	9.8	XXX=098
	.	.
	0.5	XXX=005
	0.4	XXX=004
	0.3	XXX=003
0.2	XXX=002	
<b>Step</b>	<b>a [m]</b>	<b>XXX</b>

JZ-500, 4G1.5mm <sup>2</sup> , PUR, grey	3359222XXX0002
<b>Type of cable</b>	<b>Part no.</b>

All Dimensions in mm		Tech. Character.		Free size tol.		According to production drawing	
All rights reserved Department HCS - RO	Created by 406240 Dobrin	Inspected by COSTEA Costea	Standardisation MUNTEANV Muntean	Date 2021-11-18	State Final Release		Doc-Key / ECM-Nr. 100892358/UGD/000/B 500000206399
	Title PPv4 2.0 Power 48V/12A 4G1,5qmm PUR				Rev. B		
HARTING Customised Solutions D-32339 Espelkamp		Type TB	Number 3359222XXX0002				