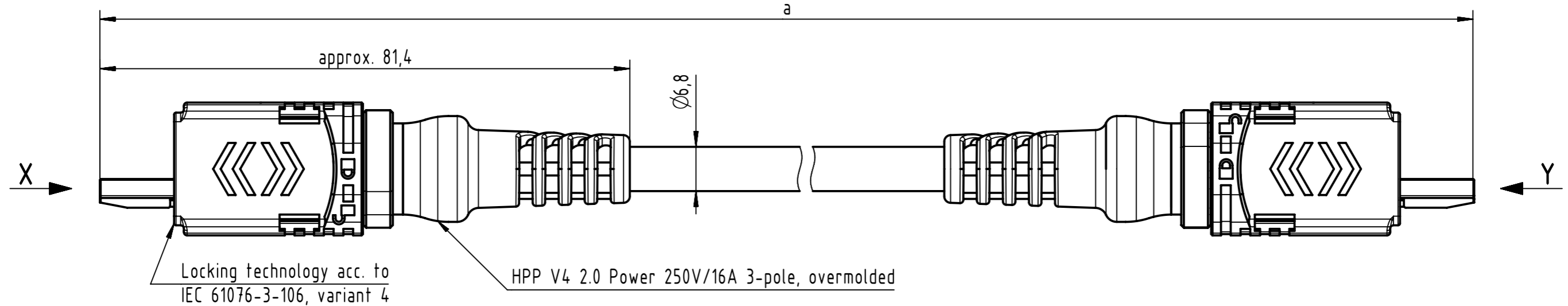


Connector Location A

Connector Location B

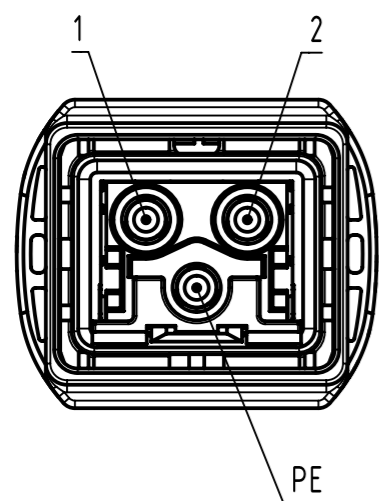


Locking technology acc. to IEC 61076-3-106, variant 4

HPP V4 2.0 Power 250V/16A 3-pole, overmolded

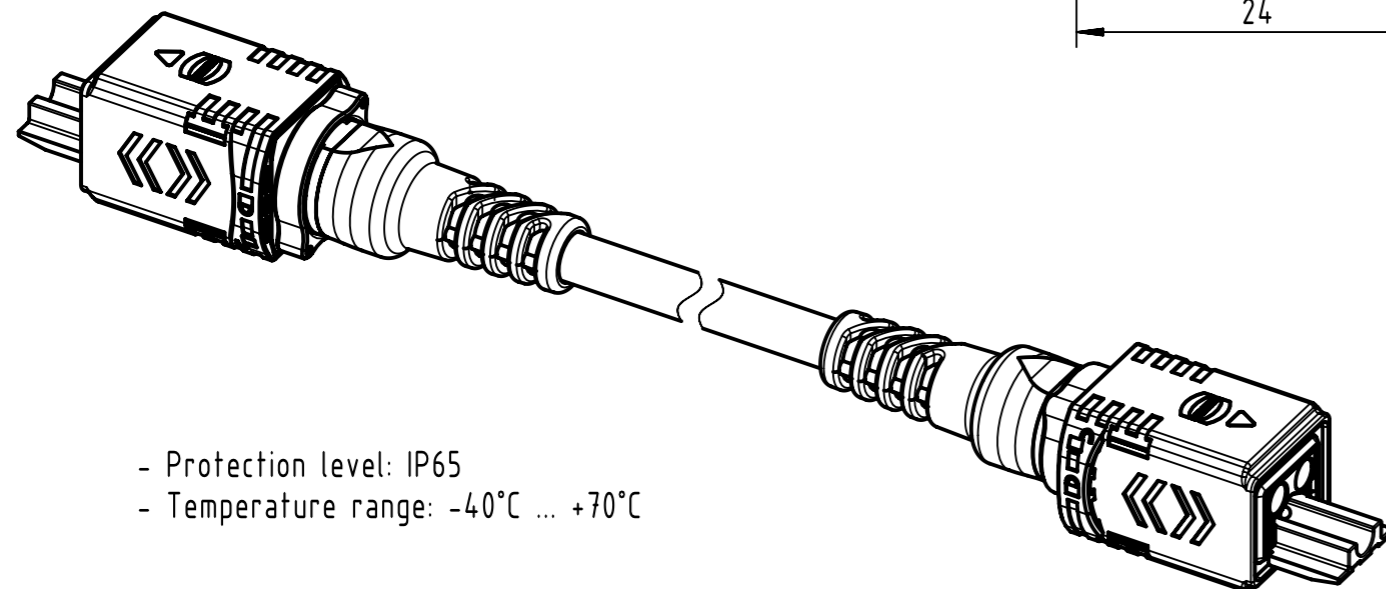
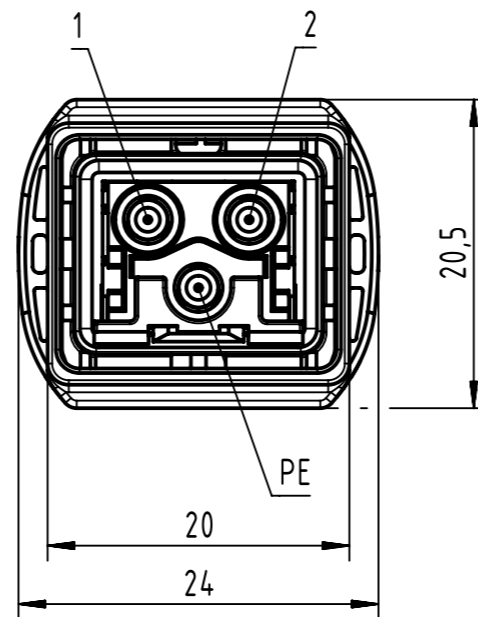
X male

Y male



Loading Plan

|    |              |    |
|----|--------------|----|
| 1  | black 1      | 1  |
| PE | green/yellow | PE |
| 2  | black 2      | 2  |



- Protection level: IP65  
- Temperature range: -40°C ... +70°C

|                       |       |         |
|-----------------------|-------|---------|
| length in "1m" step   | 100   | XXX=000 |
|                       | 99    | XXX=990 |
|                       | .     | .       |
|                       | 12    | XXX=120 |
|                       | 11    | XXX=110 |
| length in "0.1m" step | 10    | XXX=100 |
|                       | 9.9   | XXX=099 |
|                       | 9.8   | XXX=098 |
|                       | .     | .       |
|                       | 0.5   | XXX=005 |
|                       | 0.4   | XXX=004 |
|                       | 0.3   | XXX=003 |
|                       | 0.2   | XXX=002 |
| Step                  | a [m] | XXX     |

|            |           |
|------------|-----------|
| 6.0 to 100 | ±1%       |
| 0.6 to 5.9 | +0.04     |
| 0.2 to 0.5 | +0.02     |
| a [m]      | Tolerance |

|                                          |                |
|------------------------------------------|----------------|
| JZ-500, 3G1.5mm <sup>2</sup> , PUR, grey | 3359222XXX0001 |
| Type of cable                            | Part no.       |

|                                                |                     |                                            |                            |                                                    |                 |                     |
|------------------------------------------------|---------------------|--------------------------------------------|----------------------------|----------------------------------------------------|-----------------|---------------------|
|                                                | All rights reserved | Created by 406240 Dobrin                   | Inspected by COSTEA Costea | Standardisation MUNTEANV Muntean                   | Date 2021-11-18 | State Final Release |
|                                                | Department HCS - RO | Title PPv4 2.0 Power 250V/16A 3G1,5qmm PUR |                            | Doc-Key / ECM-Nr. 100892353/UGD/001/C 500000206399 |                 |                     |
| HARTING Customised Solutions D-32339 Espelkamp |                     | Type TB                                    | Number 3359222XXX0001      |                                                    | Rev. C          | Page 1/1            |