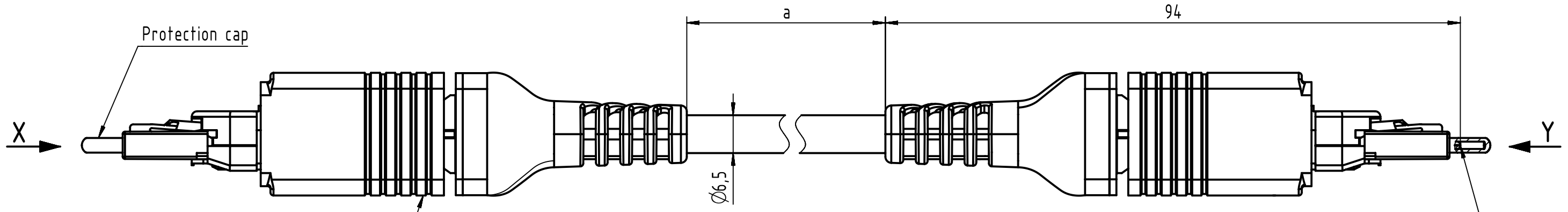


Connector Location A

Connector Location B



Mating face acc. to IEC 61754-20

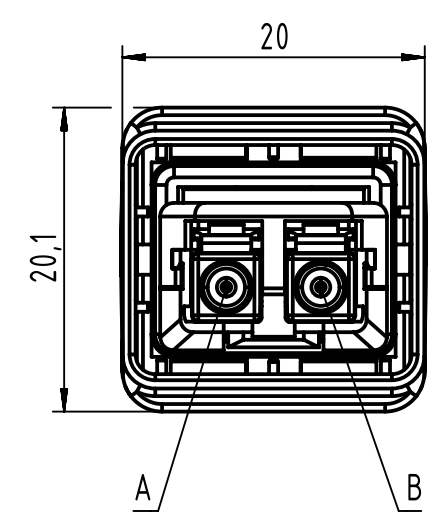
HARTING PushPull LC Duplex (overmolded)

-Protection level: IP67/65
-Temperature range: -40°C ...+70°C

20	33582313210015		321	Fiber optic breakout cable, SM 9/125µm	± 1%
19	33582313000015		300		
18	33582312290015		229		
17	33582311480015		148		
16	33582311140015		114		
15	33582311100015		110		
14	33582311060015		106		
13	33582311000015		100		
12	33582310870015		87		
11	33582310730015		73		
10	33582310600015		60		
9	33582310500015		50		
8	33582310400015		40		
7	33582310300015		30		
6	33582310200015		20		
5	33582310100015		10		
4	33582310050015		5		
3	33582320410015		4.1		
2	33582310030015		3		
1	33582310010015		1		

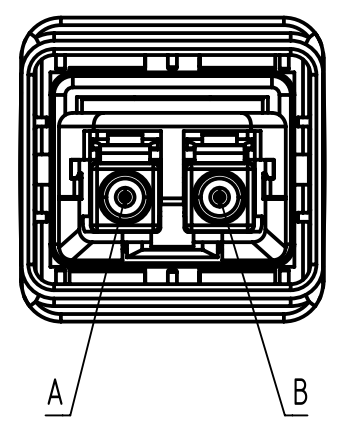
X
(without protection cap)

Y
(without protection cap)



Loading-Plan

A — blue — B
B — orange — A



	All rights reserved		Created by MUNTEANV		Inspected by POPESCU		Standardisation AVRAM		Date 2017-03-20		State Final Release	
	Department HCS - RO		Title HARTING PushPull LC Cable Assembly		Doc-Key / ECM-Nr. 100201174/UGD/013/C 500000117006		Rev. C		Page 1/1			
HARTING Customised Solutions D-32427 Minden			Type TB		Number 335823XXXX0015							

Cont. no.	Part no.	Type of cable	Dim. a[m]
-----------	----------	---------------	-----------