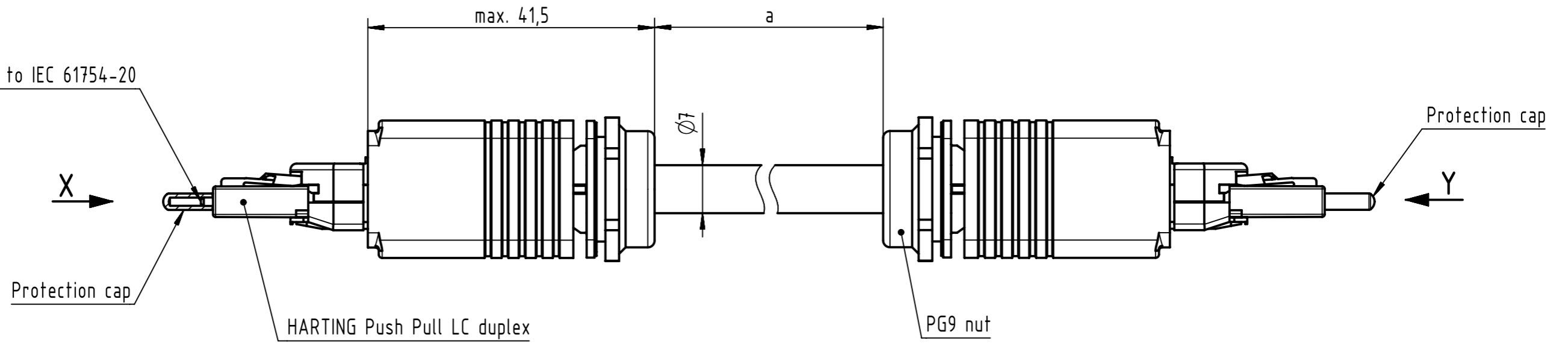


Connector Location A

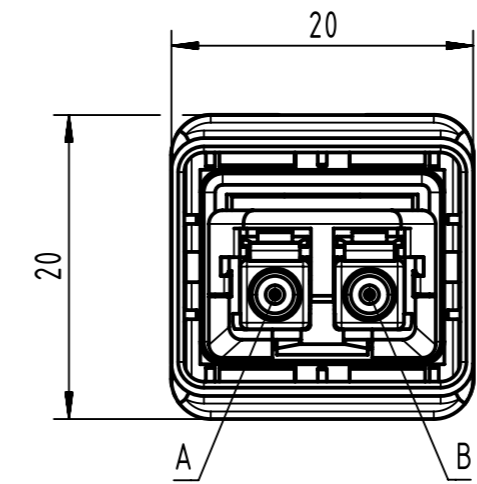
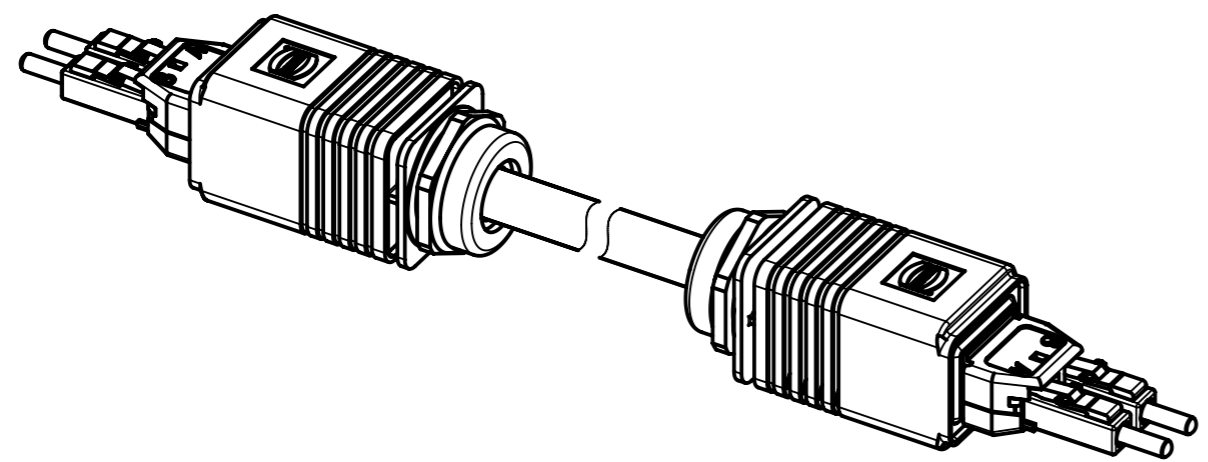
Connector Location B

Mating face acc. to IEC 61754-20

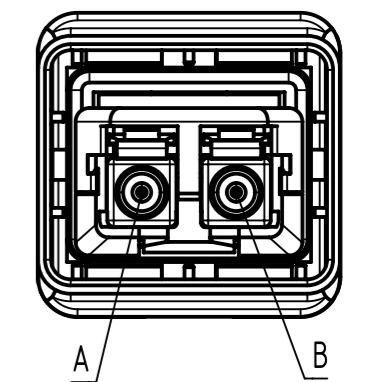


X
male
(without protection cap)

Y
male
(without protection cap)



Loading-Plan
A — blue — B
B — orange — A



-Protection level: IP67/65
-Temperature range: -40°C ... +70°C

10	3358211300001	F.O. breakout cable MM 62.5/125µm	300
9	3358211100001		100
8	3358211060001		60
7	3358211050001		50
6	3358211040001		40
5	3358211020001		20
4	3358211010001		10
3	3358211005001		5
2	3358211003001		3
1	3358211001001		1
Cont. no.	HARTING part no.	Type of cable	Dim. a[m]

	All rights reserved		Created by COSTEA		Inspected by MUNTEANV		Standardisation AVRAM		Date 2017-10-05		State Final Release	
	Department HCS - RO		Title HARTING PushPull LC Cable Assembly		Doc-Key / ECM-Nr. 100173352/UGD/009/B 500000126136		Rev. B		Page 1/1			
HARTING Customised Solutions D-32427 Minden			Type TB	Number 3358211XXX0001								