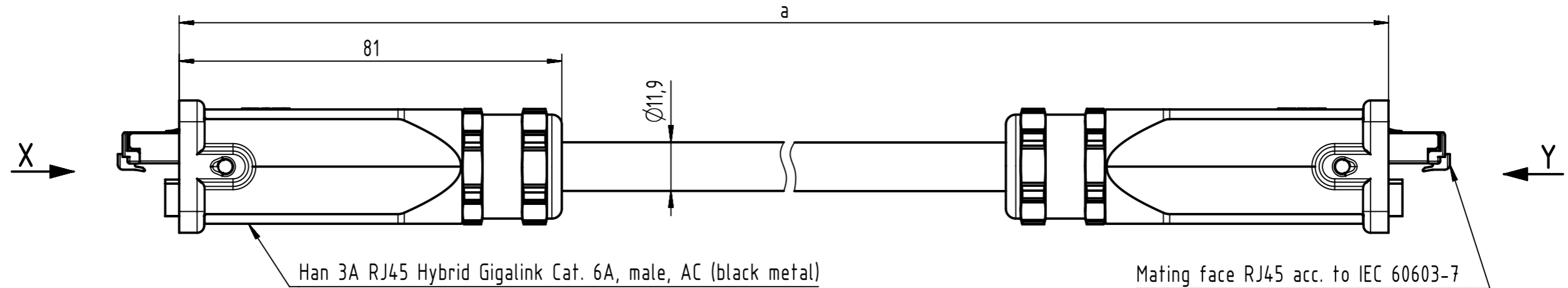
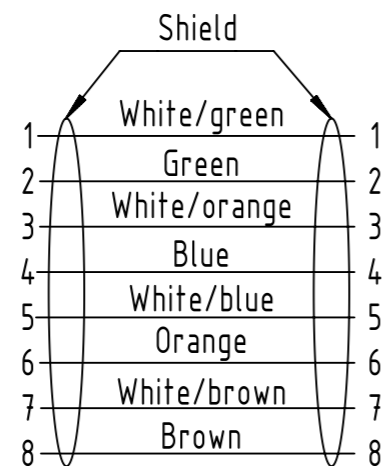
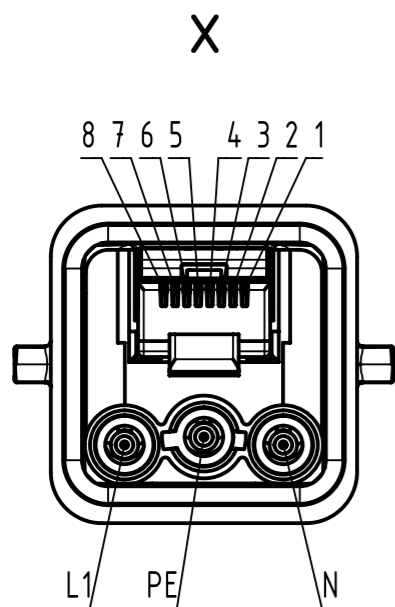


Connector Location A

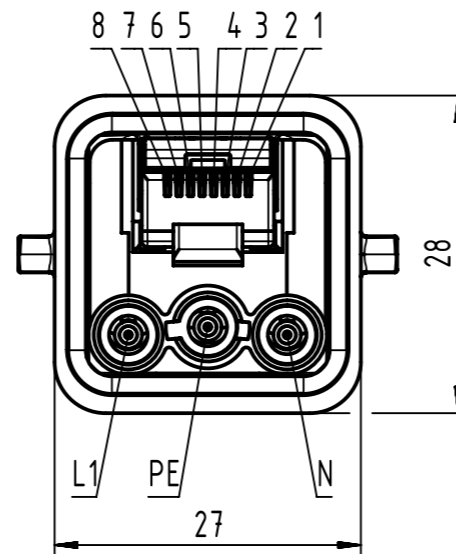
Connector Location B



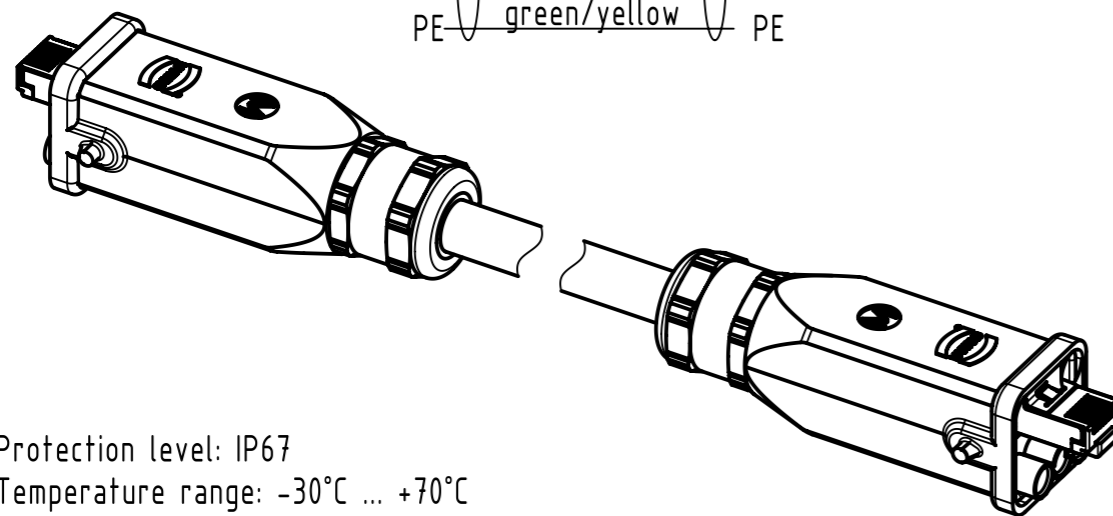
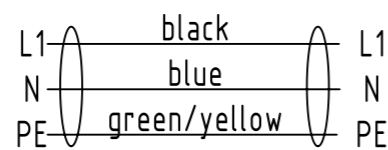
Loading-Plan
(acc. to EIA/TIA 568A - Data)



Y



Loading-Plan
(Power-AC version)



- Protection level: IP67
- Temperature range: -30°C ... +70°C

20	33572110950001		95
19	33572110850001		85
18	33572110750001		75
17	33572110700001		70
16	33572110660001		66
15	33572110550001		55
14	33572110520001		52
13	33572110500002		50
12	33572110420001		42
11	33572110400001		40
10	33572110300001		30
9	33572110200001		20
8	33572110180001		18
7	33572110150001		15
6	33572110100001		10
5	33572110050001		5
4	33572110040001		4
3	33572120250001		2.5
2	33572110020001		2
1	33572110010001		1
Cont. no.	Part-no.	Type of cable	Dim. a[m]

Ethernet Hybrid Outdoor Cable AWG 26/7,
4x2x0.5 + 3x1x2.5, Cat. 5, PVC, black

All Dimensions in mm Tech. Character. Free size tol. According to production drawing

All rights reserved Created by MUNTEANV Inspected by COSTEA Standardisation AVRAM Date 2017-10-31 State Final Release
 Department HCS - RO Title Han 3A RJ45 Hybrid Cable Assembly Doc-Key / ECM-Nr. 100154019/UGD/016/B 500000127290
 HARTING Customised Solutions Type TB Number 335721Y0YY000Y Rev. B Page 1/1
 D-32427 Minden