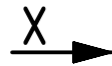


Connector Location A

Connector Location B

Protection cap



Protection cap



Mating face acc. to IEC 61754-20

Hybrid Han 3A LC Duplex (DC-Version)
Metal housing

83

Ø8,8

a

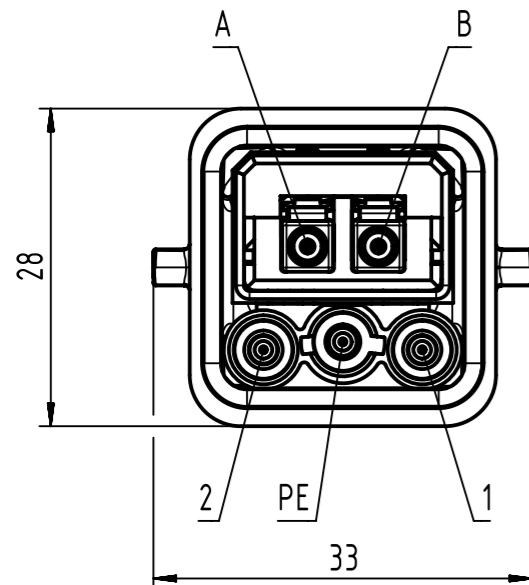
X
male
(without protection cap)

Y
male
(without protection cap)

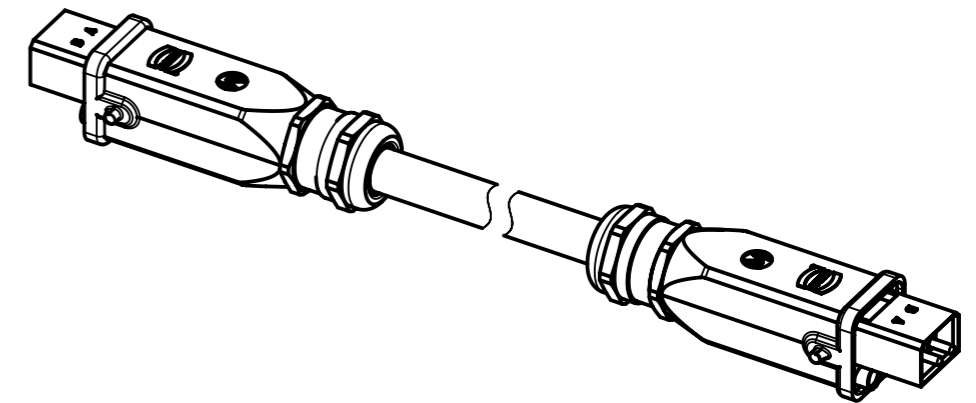
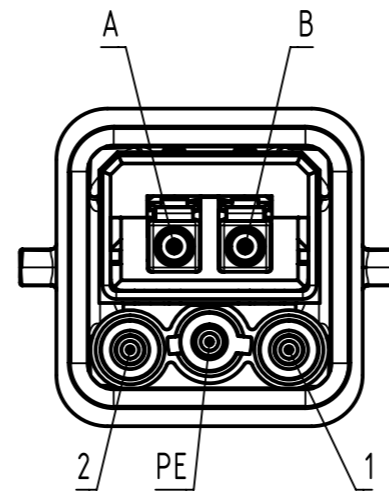
Loading-Plan
(Power DC version)

Shield (not connected)

- Protection level: IP65/67
- Temperature range: -40°...70°C



A	Orange 1	B
B	Orange 2	A
1	Black	1
2	Blue	2
PE	Green-Yellow	PE



9	33572113005004	Hybrid outdoor cable 2xFO Singlemode + 3x2.5mm ²	300
8	33572111005004		100
7	33572110605004		60
6	33572110505004		50
5	33572110405004		40
4	33572110205004		20
3	33572110105004		10
2	33572110055004		5
1	33572110015004		1
Cont No.	Part-No.	Type of cable	Dim. a (m)

	All rights reserved Department HCS - RO	Tech. Character.		Free size tol.		According to production drawing	
		Created by COSTEA	Inspected by COSTEA	Standardisation POPESCUD	Date 2017-09-04	State Final Release	
Title Han 3A FO Hybrid Cable Assembly						Doc-Key / ECM-Nr. 100643418/UGD/036/B 500000124734	
HARTING Customised Solutions D-32427 Minden		Type TB	Number 3357211XXX5004		Rev. B	Page 1/1	