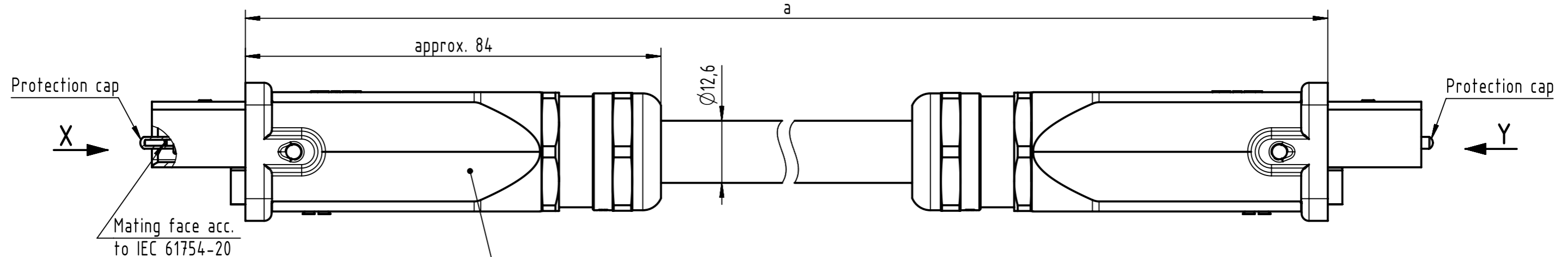


Connector Location A

Connector Location B

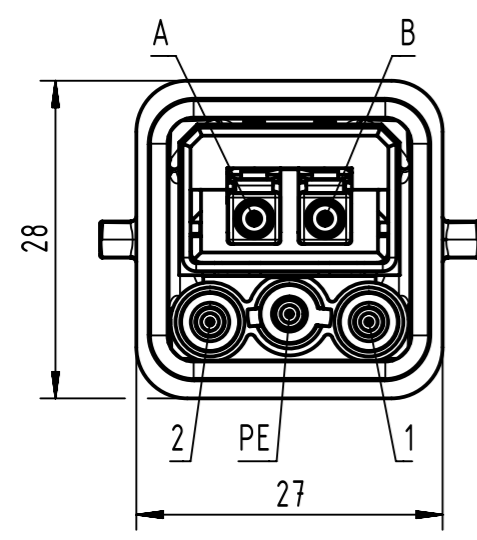


Hybrid Han 3A, LC duplex (DC-Version)
Metal housing (IP 67/65)

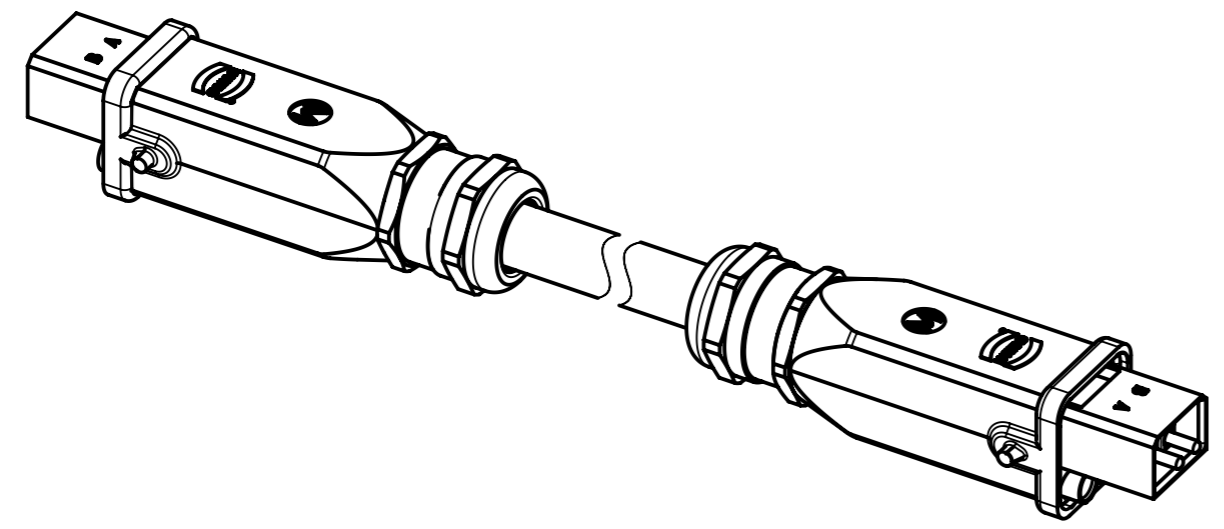
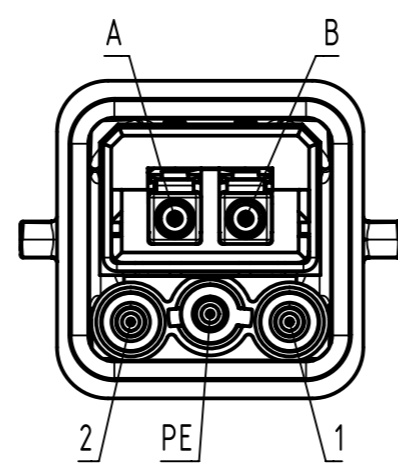
X
male
(without protection cap)

Loading-Plan
(Power DC version)
(Shield not connected)

Y
male
(without protection cap)



A	Orange	B
B	Blue	A
1	Black	1
2	Blue	2
PE	Green-Yellow	PE



10	33572113005002	Hybrid cable 2xFO MM 50/125 + 3x2.5mm ² , PVC, black	300
9	33572112005002		200
8	33572111005002		100
7	33572110605002		60
6	33572110505002		50
5	33572110405002		40
4	33572110205002		20
3	33572110105002		10
2	33572110055002		5
1	33572110015002		1

Cont no.	Part-no.	Type of cable	Dim. a (m)
----------	----------	---------------	------------

All Dimensions in mm
 Tech. Character. Free size tol. According to production drawing

All rights reserved Department HCS - RO HARTING Customised Solutions D-32427 Minden	Created by COSTEA	Inspected by MUNTEANV	Standardisation AVRAM	Date 2017-11-06	State Final Release
	Title Han 3A FO Hybrid Cable Assembly Type TB Number 3357211XXX5002				Doc-Key / ECM-Nr. 100183341/UGD/033/C 500000127419 Rev. C Page 1/1