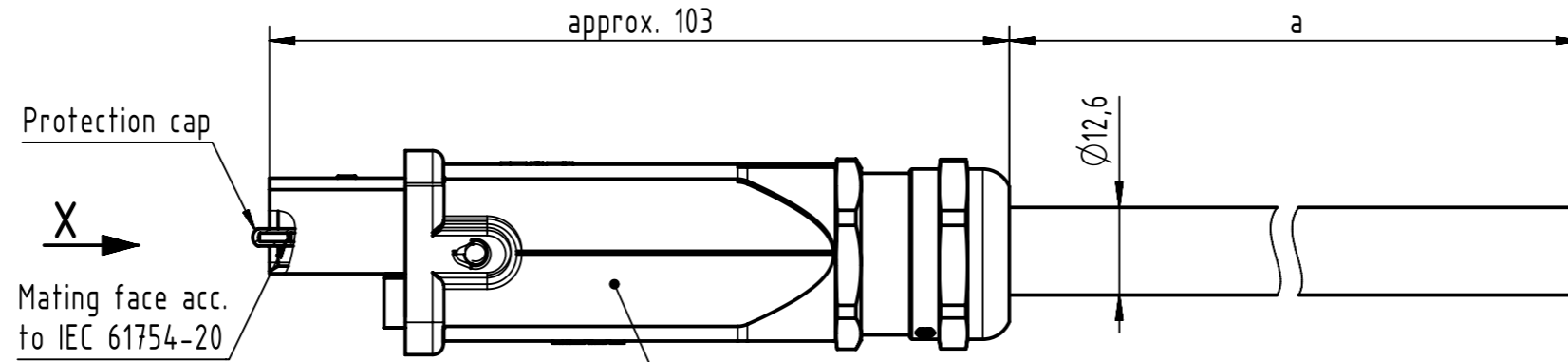


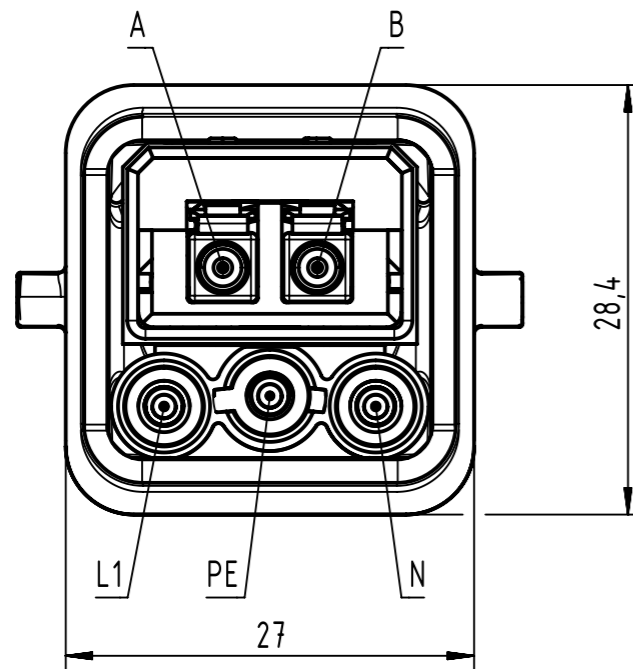
Connector Location A

Connector Location B



Hybrid Han 3A LC Duplex (AC-Version)  
Metal housing (IP 67/65)

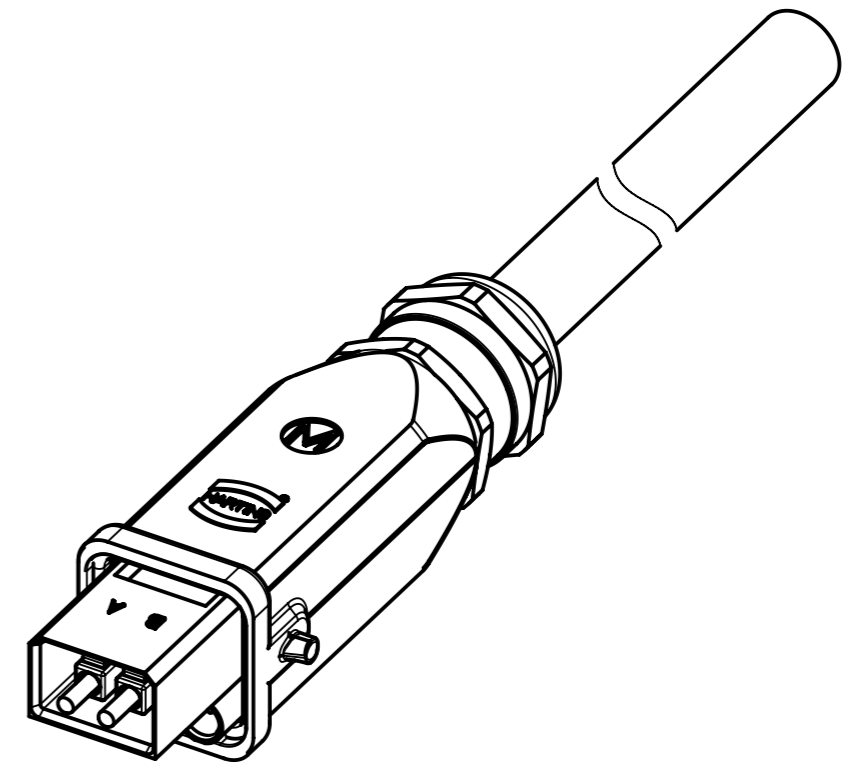
X  
male  
(without protection cap)



Loading-Plan  
(Power AC version)

(Shield not connected)

- A — Orange
- B — Blue
- L1 — Black
- N — Blue
- PE — Green-Yellow



- Temperature range: -40°C ... +70°C

9	33571113005001	Hybrid cable, 2xFO MM 50/125 +3x2.5mm <sup>2</sup> , PVC, black	300
8	33571111005001		100
7	33571110605001		60
6	33571110505001		50
5	33571110405001		40
4	33571110205001		20
3	33571110105001		10
2	33571110055001		5
1	33571110015001		1
Cont no.	Part-No.	Type of cable	Dim. a[m]

	All rights reserved		Created by COSTEA		Inspected by MUNTEANV		Standardisation AVRAM		Date 2017-11-03		State Final Release	
	Department HCS - RO		Title Han 3A FO Hybrid Cable Assembly		Doc-Key / ECM-Nr. 100183341/UGD/036/B 500000127418		Rev. B		Page 1/1			
HARTING Customised Solutions D-32427 Minden			Type TB	Number 3357111XXX5001								

All Dimensions in mm  
 Tech. Character. Free size tol. According to production drawing