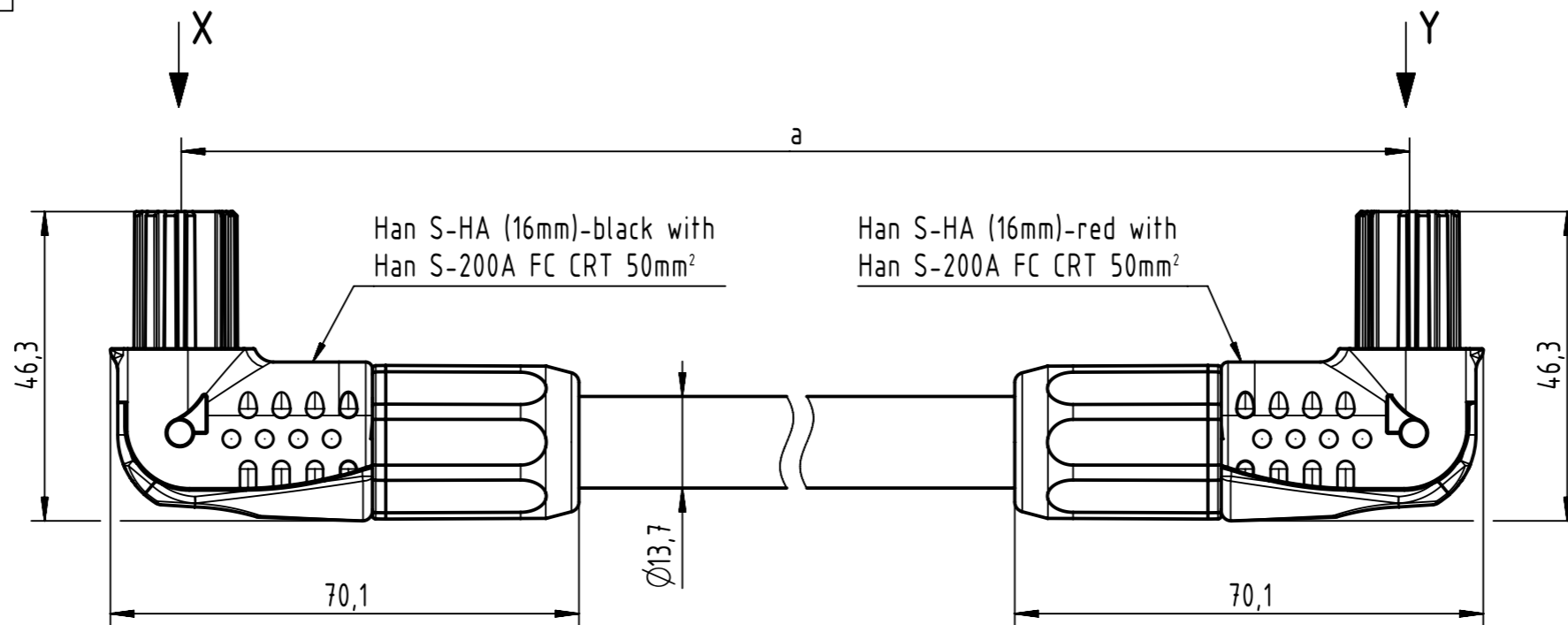


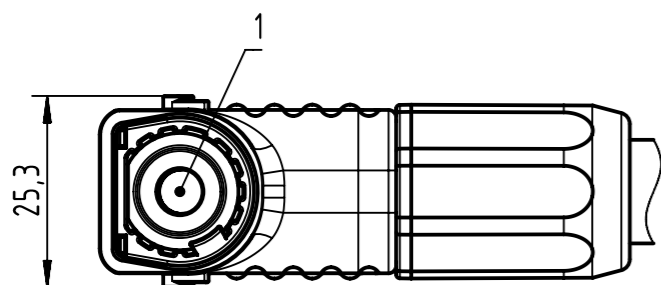
Connector Location A

Connector Location B



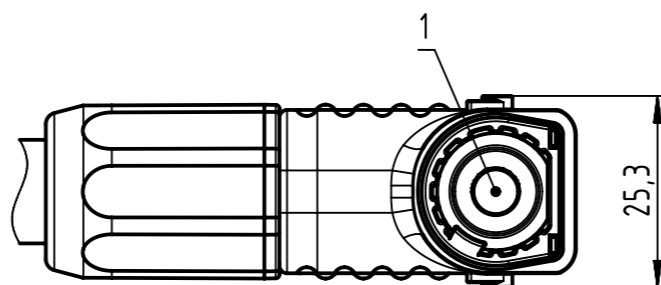
X female

Y female

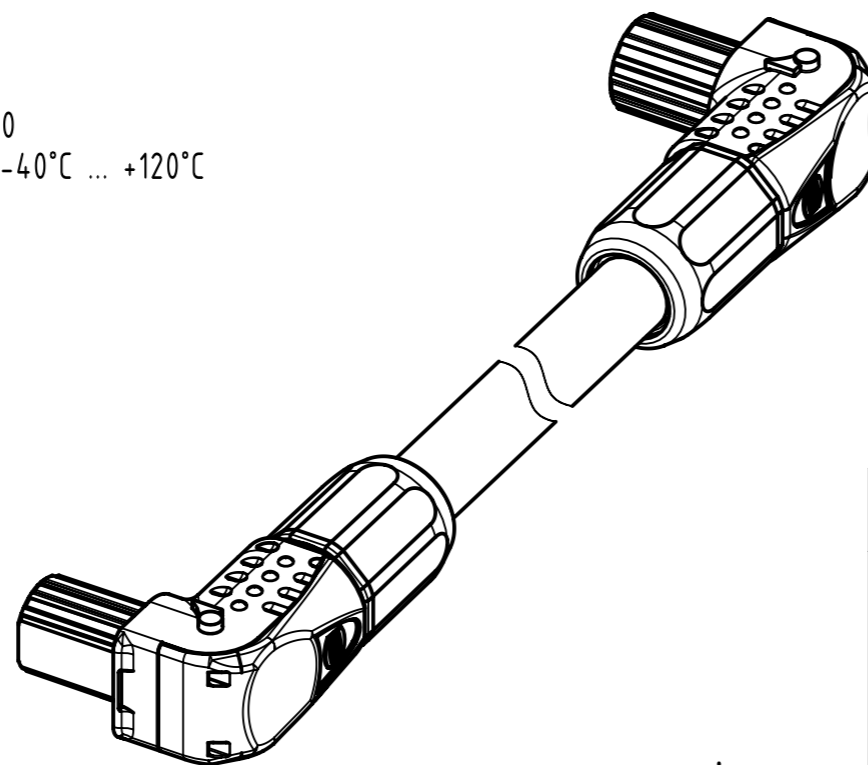


Loading Plan

wire



- Protection level: IP40
- Temperature range: -40°C ... +120°C



6.0 to 100	±1%
0.6 to 5.9	+0.04
0.2 to 0.5	+0.02
a [m]	Tolerance

length in "1m" step	100	XXX=000
	99	XXX=990
	.	.
	12	XXX=120
	11	XXX=110
length in "0.1m" step	10	XXX=100
	9.9	XXX=099
	9.8	XXX=098
	.	.
	0.5	XXX=005
	0.4	XXX=004
	0.3	XXX=003
	0.2	XXX=002
Step	a [m]	XXX

BETAtans 4 GKW-ENX
1800 V M 50mm², black

33506869245XXX

Type of cable

Part no.

	All rights reserved		Created by 405181 Hadar		Inspected by COSTEA Costea		Standardisation MUNTEANV Muntean		Date 2022-02-22		State Final Release	
	Department HCS - RO		Title Han S 200 CA-c-b/r 50mm ²		Doc-Key / ECM-Nr. 100948243/UGD/000/B 500000212284		Rev. B		Page 1/1			
HARTING Customised Solutions D-32339 Espelkamp			Type TB		Number 33506869245XXX							