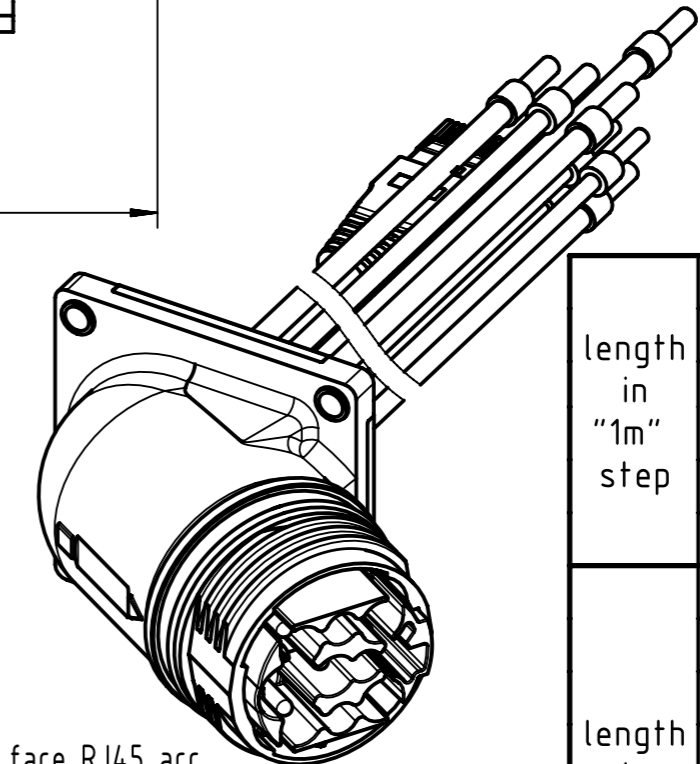
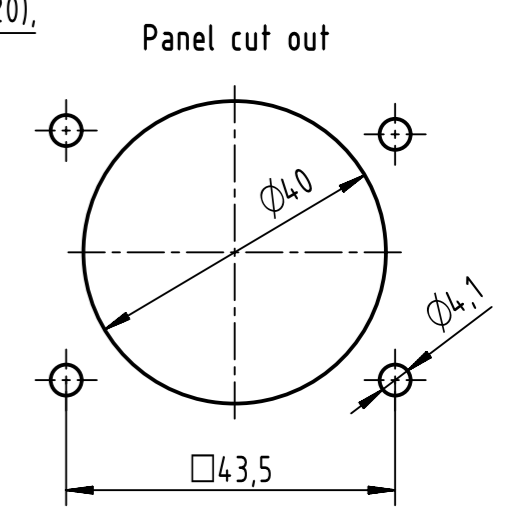
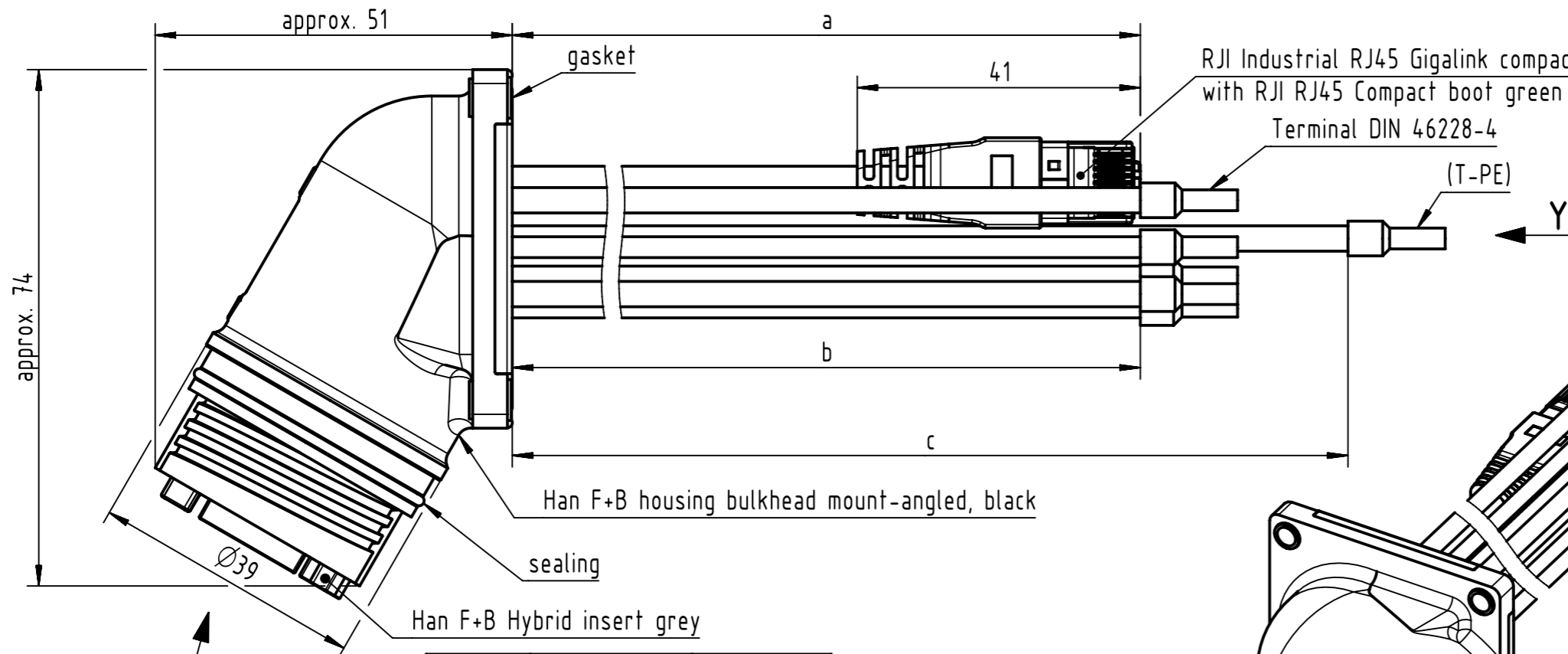


Connector Location A

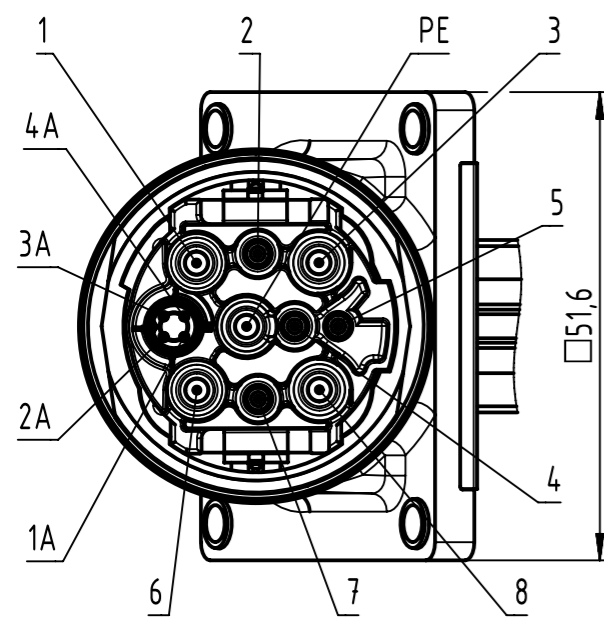
Connector Location B



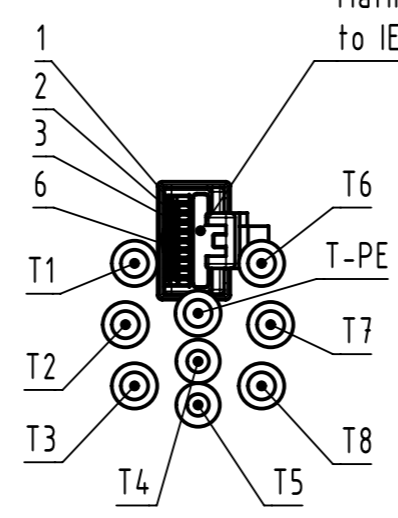
length in "1m" step	100.00	100.00	100.01	XXX=000		
	99.00	99.00	99.01	XXX=990		
length in "0.1m" step	12.00	12.00	12.01	XXX=120		
	11.00	11.00	11.01	XXX=110		
	10.00	10.00	10.01	XXX=100		
	9.90	9.90	9.91	XXX=099		
	9.80	9.80	9.81	XXX=098		
	0.50	0.50	0.51	XXX=005		
	0.40	0.40	0.41	XXX=004		
	0.30	0.30	0.31	XXX=003		
	0.20	0.20	0.21	XXX=002		
a [m]	Tolerance	Step	a [m]	b [m]	c [m]	XXX

X male

Y male



Pin Conn. Loc. A	Wire	Pin Conn. Loc. B
1A	Orange/white	1
2A	Blue/white	3
3A	Orange	2
4A	Blue	6
Shield	Shield	Shield
1	Brown (2.5mm ²)	T1 (2.5mm ²)
2	Brown (1.5mm ²)	T2 (1.5mm ²)
3	Black (2.5mm ²)	T3 (2.5mm ²)
4	White (0.75mm ²)	T4 (0.75mm ²)
5	Red (0.75mm ²)	T5 (0.75mm ²)
6	Grey (2.5mm ²)	T6 (2.5mm ²)
7	Blue (1.5mm ²)	T7 (1.5mm ²)
8	Blue (2.5mm ²)	T8 (2.5mm ²)
PE	Green/yellow (2.5mm ²)	T-PE (2.5mm ²)



Mating face RJ45 acc. to IEC 60603-7

6.0 to 100	±1%
0.6 to 5.9	+0.04
0.2 to 0.5	+0.02

HELUKAT 100S 4x1x0.15 SF/UTP, PUR green	33503898141XXX
Type of cable	Part no.

	All rights reserved	Created by COSTEA Costea	Inspected by 402676 Gross	Standardisation MUNTEANV Muntean	Date 2020-09-21	State Final Release
	Department HCS - RO	Title F+B Hybrid PFT m/RJ45+fl ang/-		Doc-Key / ECM-Nr. 100906769/UGD/001/B 500000180381		
HARTING Customised Solutions D-32339 Espelkamp		Type TB	Number 33503898141XXX		Rev. B	Page 1/1