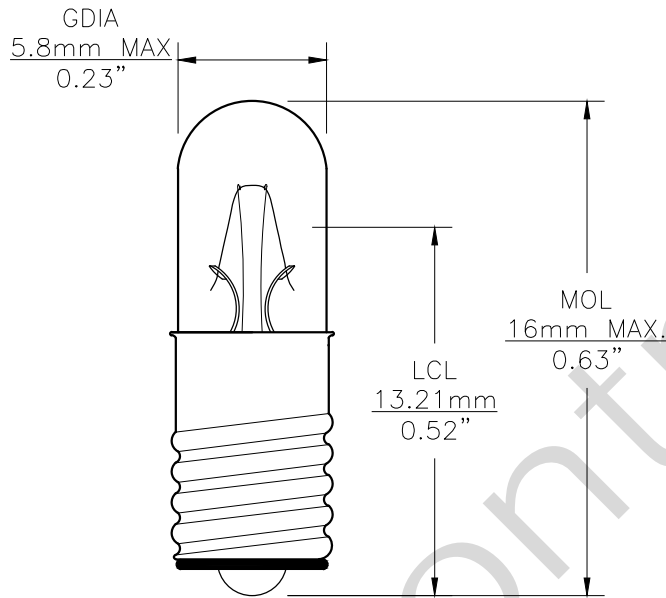


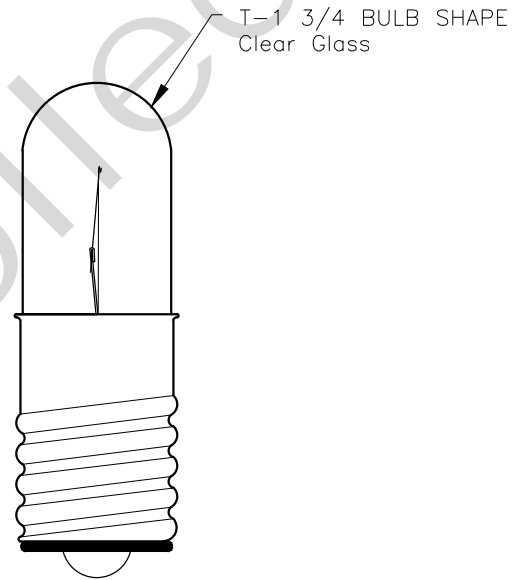


Since 1959

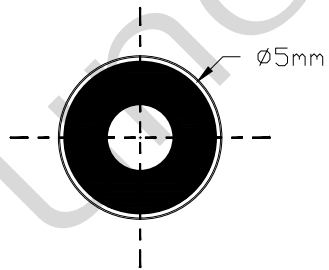
PART NO.	BASE TYPE	DESIGN VOLTS	DESIGN AMPS	MSCD	FILAMENT TYPE	AVERAGE LIFE HOURS	REVISIONS			
							REV #	DESCRIPTION	DATE	APPROVED
335	Midget Screw (E5)	28.0V	0.04±10%	0.34±20%	C-2F	4000	1	ISSUED	07/16/2019	R.M.



0° VIEW



90° VIEW



BASE BOTTOM VIEW

UNLESS OTHERWISE SPECIFIED: DIMENSIONS ARE IN INCHES TOLERANCES		CEC INDUSTRIES LTD			
DECIMALS .XX ± .05		599 BOND STREET		LINCOLNSHIRE, IL 60069	
ANGULAR .XXX ± .010		TITLE LIGHT BULB NO. 335			
FRACTIONAL ±1/64		SIZE A	FSCM NO.	DWG NO. 335	REV 1
DRAWN ROSE MEDINA	DATE 07/16/2019	SCALE	PLOT SCALE	SHEET 1 OF 1	
CHECKED	DESIGN	MATERIAL	FILE 335.pdf	DRAWING NOT TO SCALE	