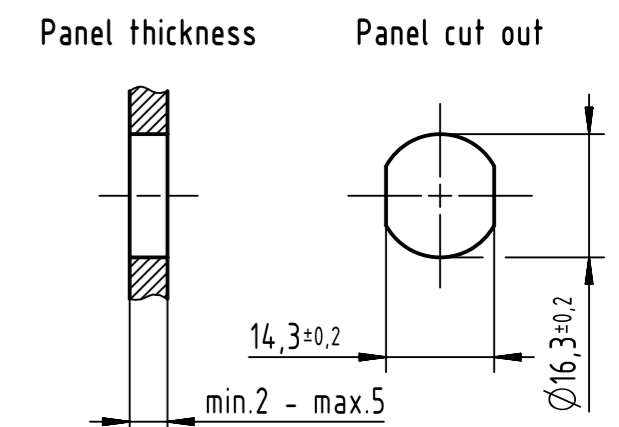
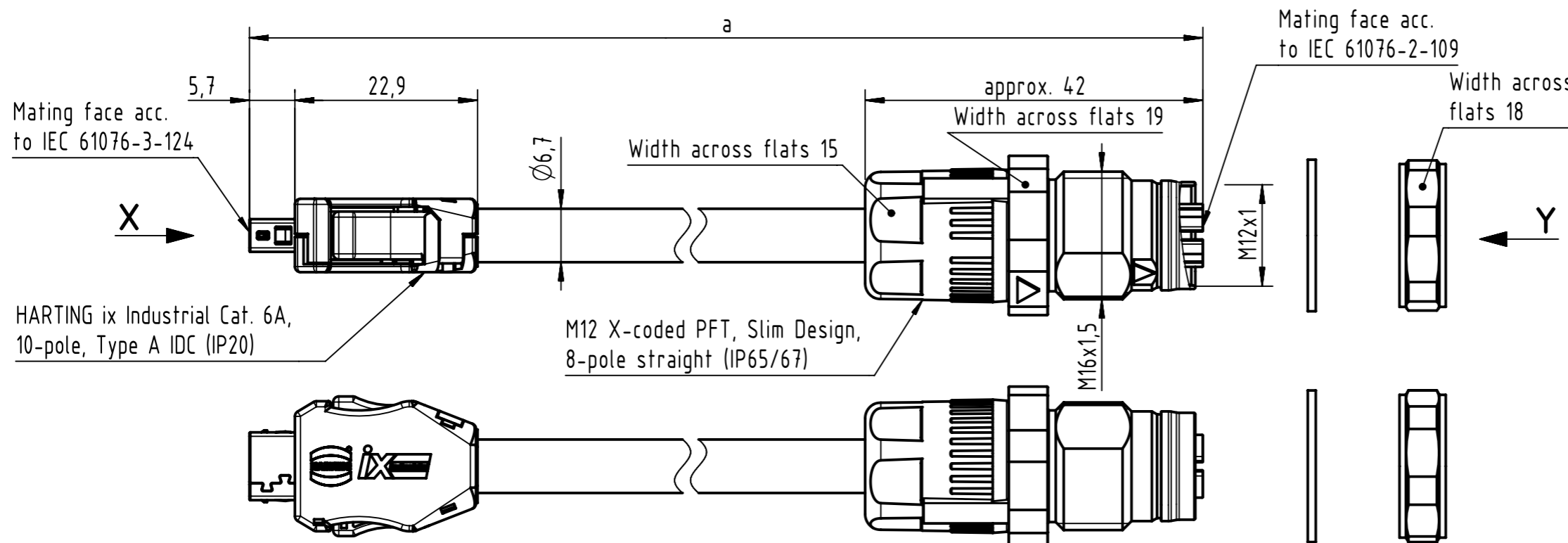


Connector Location A

Connector Location B



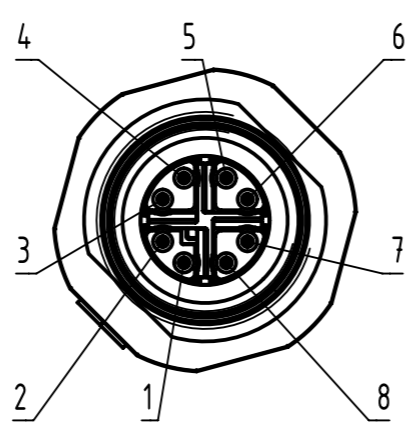
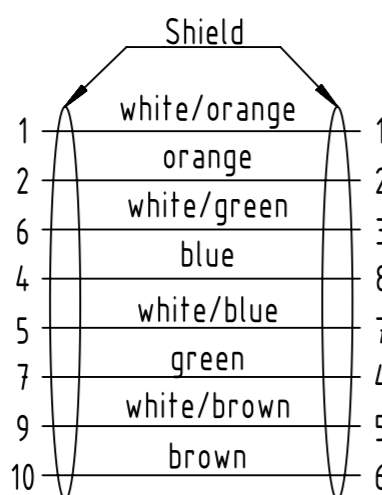
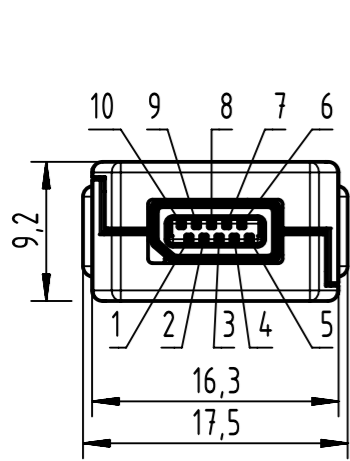
HARTING ix Industrial Cat. 6A, 10-pole, Type A IDC (IP20)

M12 X-coded PFT, Slim Design, 8-pole straight (IP65/67)

X
male

Y
female
(without nut and seal)

Loading Plan
acc. to TIA/EIA 568B



Temperature range:

- Fixed installation: -40°C ... +80°C
- Dynamic installation: -40°C ... +80°C

- Nut and seal pre-packaged in a separate poly-bag within the main poly-bag
- Contact material ix: copper alloy
- Contact area ix: Gold 0.2µm min.

6.0 to 100	±1%
0.6 to 5.9	+0.04
0.2 to 0.5	+0.02
a [m]	Tolerance

length in "1m" step	100	XXX=000
	99	XXX=990
	.	.
	12	XXX=120
	11	XXX=110
length in "0.1m" step	10	XXX=100
	9.9	XXX=099
	9.8	XXX=098
	.	.
	0.5	XXX=005
	0.4	XXX=004
	0.3	XXX=003
	0.2	XXX=002
Step	a [m]	XXX

Contacts 3, 8 are not connected

NOTE:

- For lengths < 1.0m:
 - relative positioning of the connectors to each other will be as presented in the drawing, however with an admissible angular deviation around cable axis of ± 30°
- For lengths ≥ 1.0m:
 - relative positioning of the connectors to each other not obligatory
 - * Cat.6A 10 Gbit/s Ethernet transmission possible for lengths up to 45m

HARTING IE Cat.6A
4x2xAWG 26/7
PUR yellow

33480171804XXX

	All rights reserved	Created by 407576 Stoica	Inspected by 402676 Gross	Standardisation MUNTEANV Muntean	Date 2022-10-18	State Final Release
	Department HCS - RO	Title ix Type A - M12X PFT f Cat.6A PUR		Doc-Key / ECM-Nr. 100990121/UGD/000/B 500000226518		
HARTING Customised Solutions D-32339 Espelkamp		Type TB	Number 33480171804XXX		Rev. B	Page 1/1