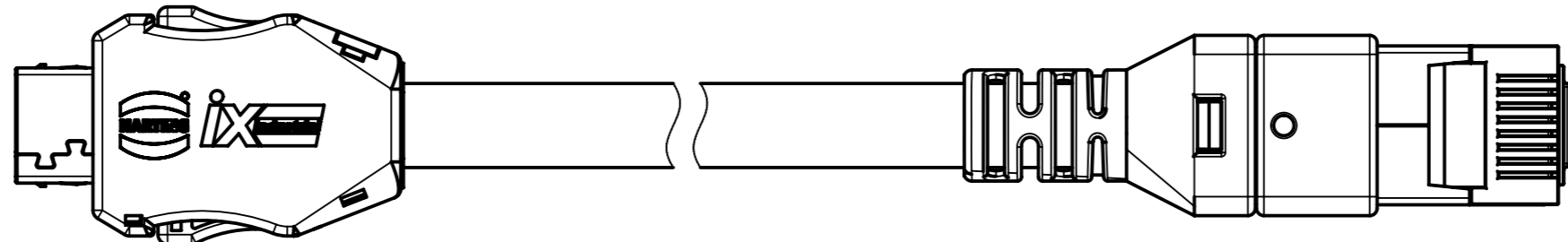
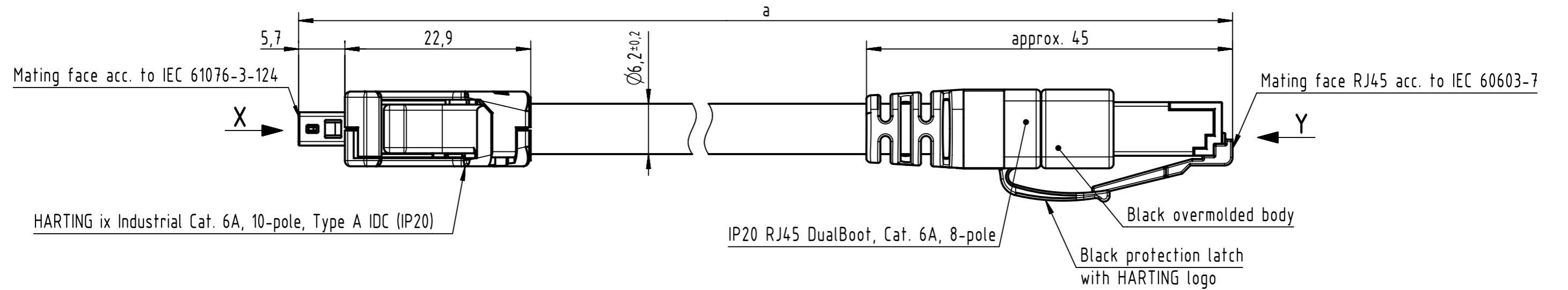


Connector Location A

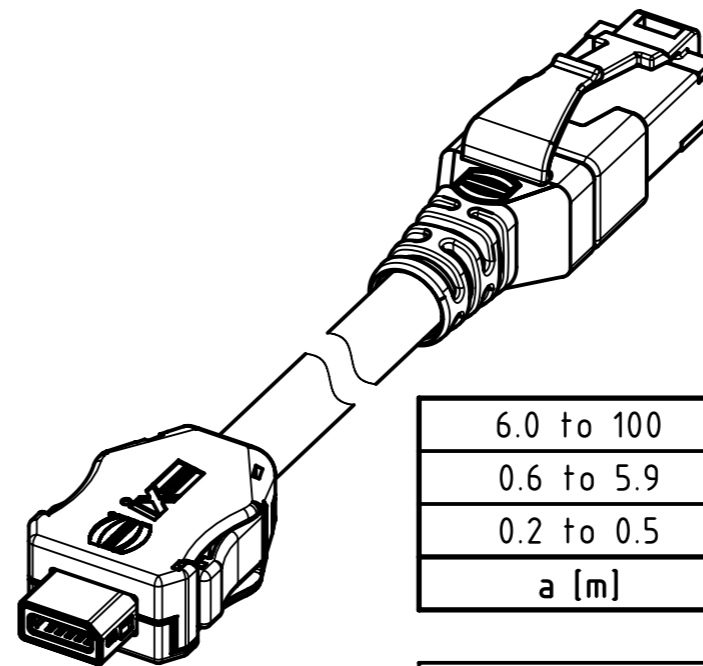
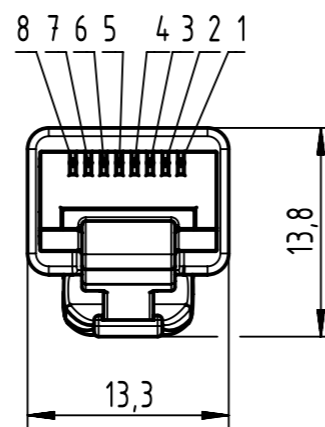
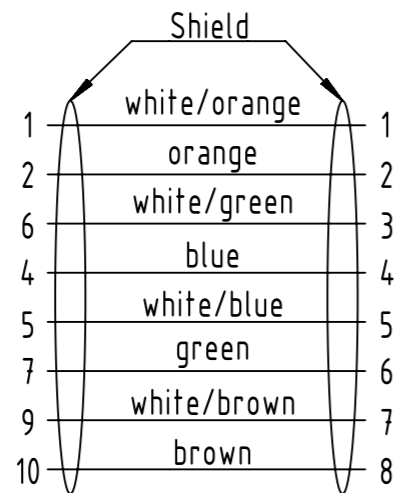
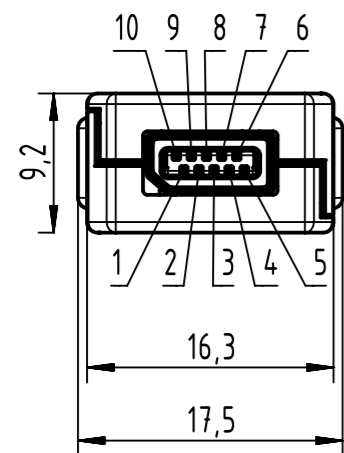
Connector Location B



X  
male

Loading Plan  
acc. to TIA/EIA 568B

Y  
male



6.0 to 100	±1%
0.6 to 5.9	+0.04
0.2 to 0.5	+0.02
a [m]	Tolerance

length in "1m" step	100	XXX=000
	99	XXX=990
	.	.
	12	XXX=120
	11	XXX=110
length in "0.1m" step	10	XXX=100
	9.9	XXX=099
	9.8	XXX=098
	.	.
	0.5	XXX=005
0.4	XXX=004	
0.3	XXX=003	
0.2	XXX=002	
Step	a [m]	XXX

Contacts 3 and 8 are not connected

- Contact material: cooper alloy (for ix)
- Contact area: Gold 0.2µm min. (for ix)
- Temperature range:
  - Fixed installation: -20°C ... +60°C
  - Dynamic installation: 0°C ... +50°C

NOTE:  
For lengths < 1.0m:  
- relative positioning of the connectors to each other will be as presented in the drawing, however with an admissible angular deviation around cable axis of ± 30°  
For lengths ≥ 1.0m:  
-relative positioning of the connectors to each other not obligatory

Cat. 7 FRNC Ethernet Cable, AWG 26/7, S/FTP, orange	33480147829XXX
Type of cable	Part no.

	All rights reserved	Created by 407675 Lorinzi	Inspected by COSTEA Costea	Standardisation MUNTEANV Muntean	Date 2022-11-08	State Final Release
HARTING Customised Solutions D-32339 Espelkamp		Title ix Industrial - RJ45 Cat.6A FRNC orange		Doc-Key / ECM-Nr. 100882464/UGD/000/E 50000226506		Rev. E
		Type TB	Number 33480147829XXX		Page 1/1	